

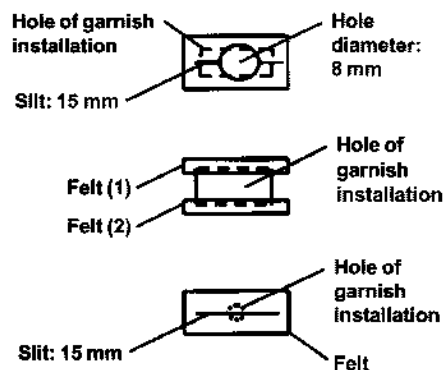
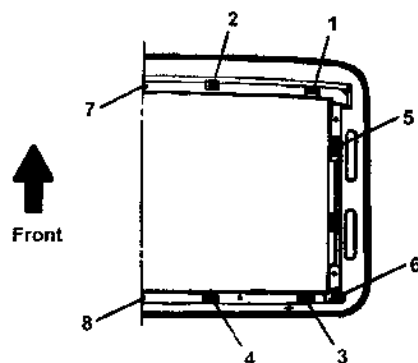
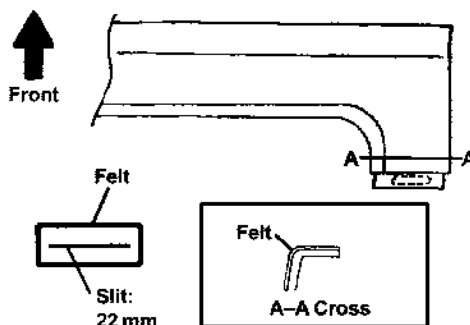
Repair Procedure

Refer to the 1999 GS 400/300 Repair Manual Page BO-77 to remove sliding roof garnishes.

NOTE:

3M Anti-Squeak and Rattle Tape may be used instead of felt.

1. Tape felt washer (15mm x 25mm x 0.5mm; hole diameter 8mm; 15mm slit) to locations #1, 2, 3, 4, & 5 of the Sliding Glass Roof Assembly. Repeat for opposite side.
2. Tape 2 pieces of felt (5mm x 25mm x 0.5mm) to location #6 of the Sliding Glass Roof Assembly. Repeat for opposite side.
3. Tape 1 piece of felt washer (10mm x 20mm x 0.5mm; 15mm slit) to locations #7 and #8 of the Sliding Glass Roof Assembly.
4. Apply 1 piece of felt (7mm x 28mm x 0.5mm; 22mm slit) to location A-A of the Sliding Roof Garnish Front. Repeat for opposite side.
5. Apply felt (5mm x 140mm x 0.5mm) to the Sliding Roof Garnish RH/LH as indicated in illustration #3.

Illustration #1**Illustration #2****Illustration #3**