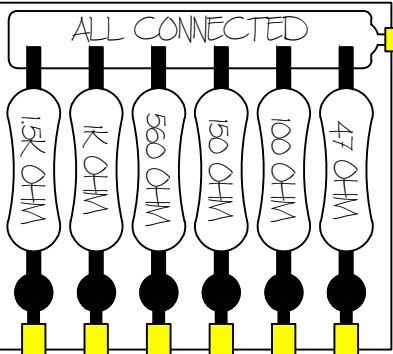


RESISTORS



TO CLOCKSPRING

