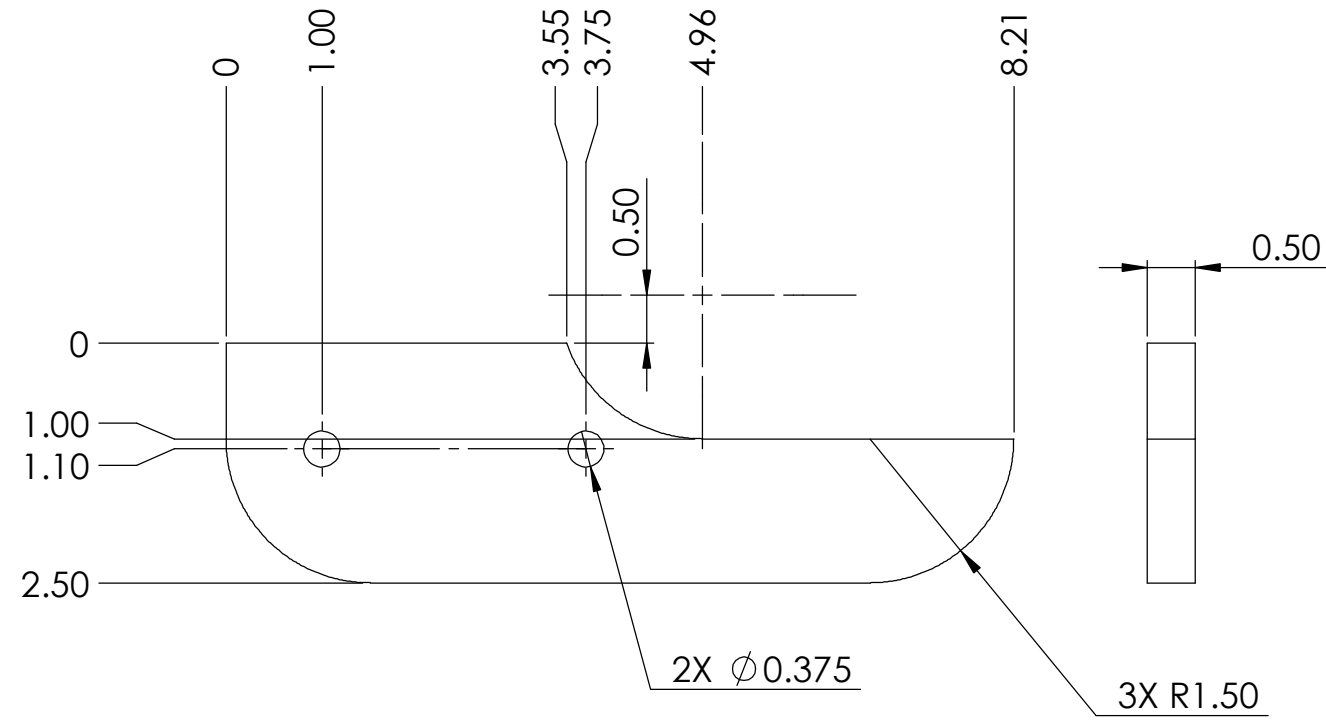


- NOTES:  
 1. MATERIAL: 0.5" THICK DELRIN  
 2. DIMENSIONS ARE IN INCHES



THIRD ANGLE PROJECTION		
TITLE:		
SIZE	DWG. NO.	REV
<b>A</b>		
SHEET 1 OF 1		