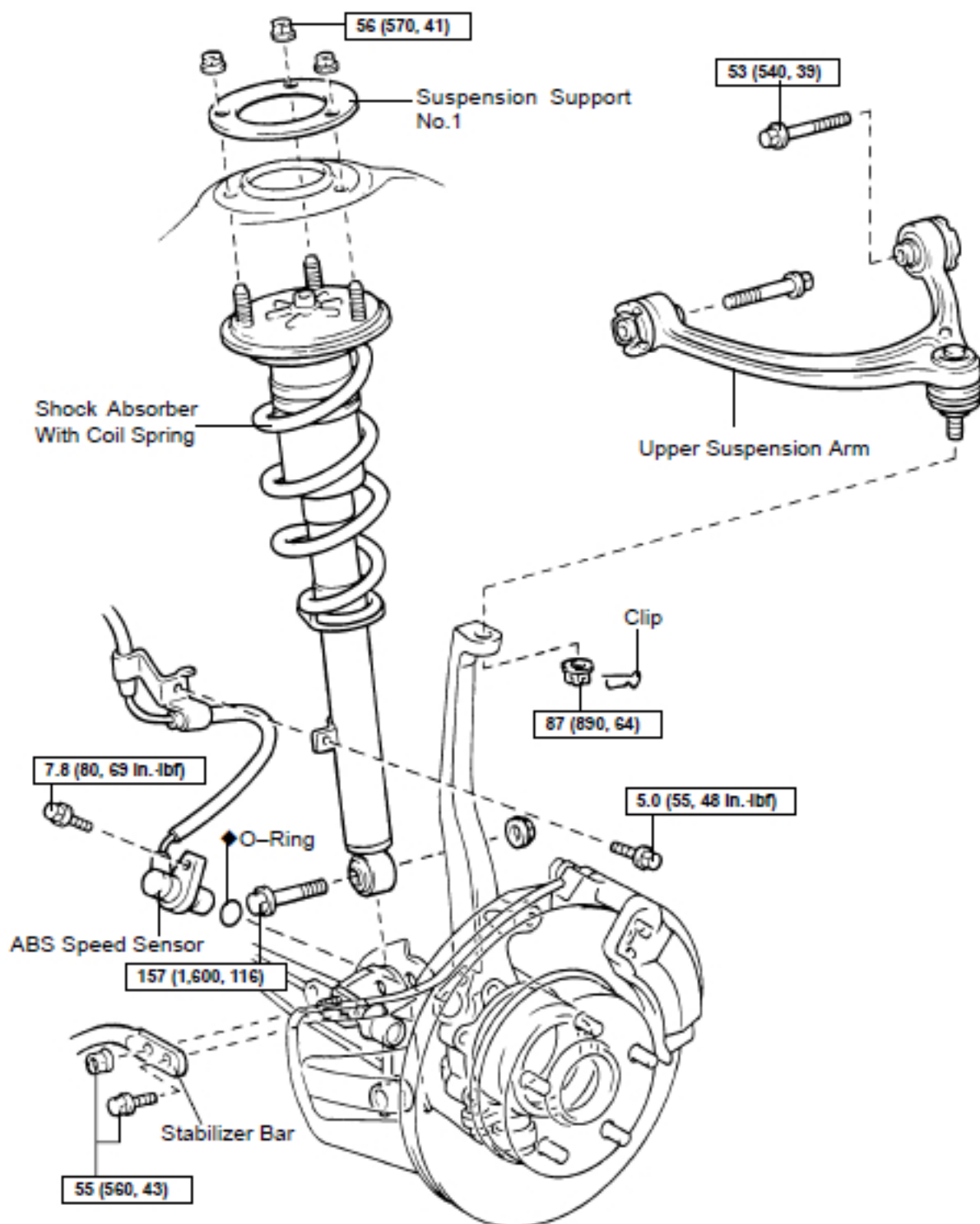


# FRONT UPPER SUSPENSION ARM COMPONENTS

MADR-03



N·m (kgf·cm, ft·lbf) : Specified torque

◆ Non-reusable part