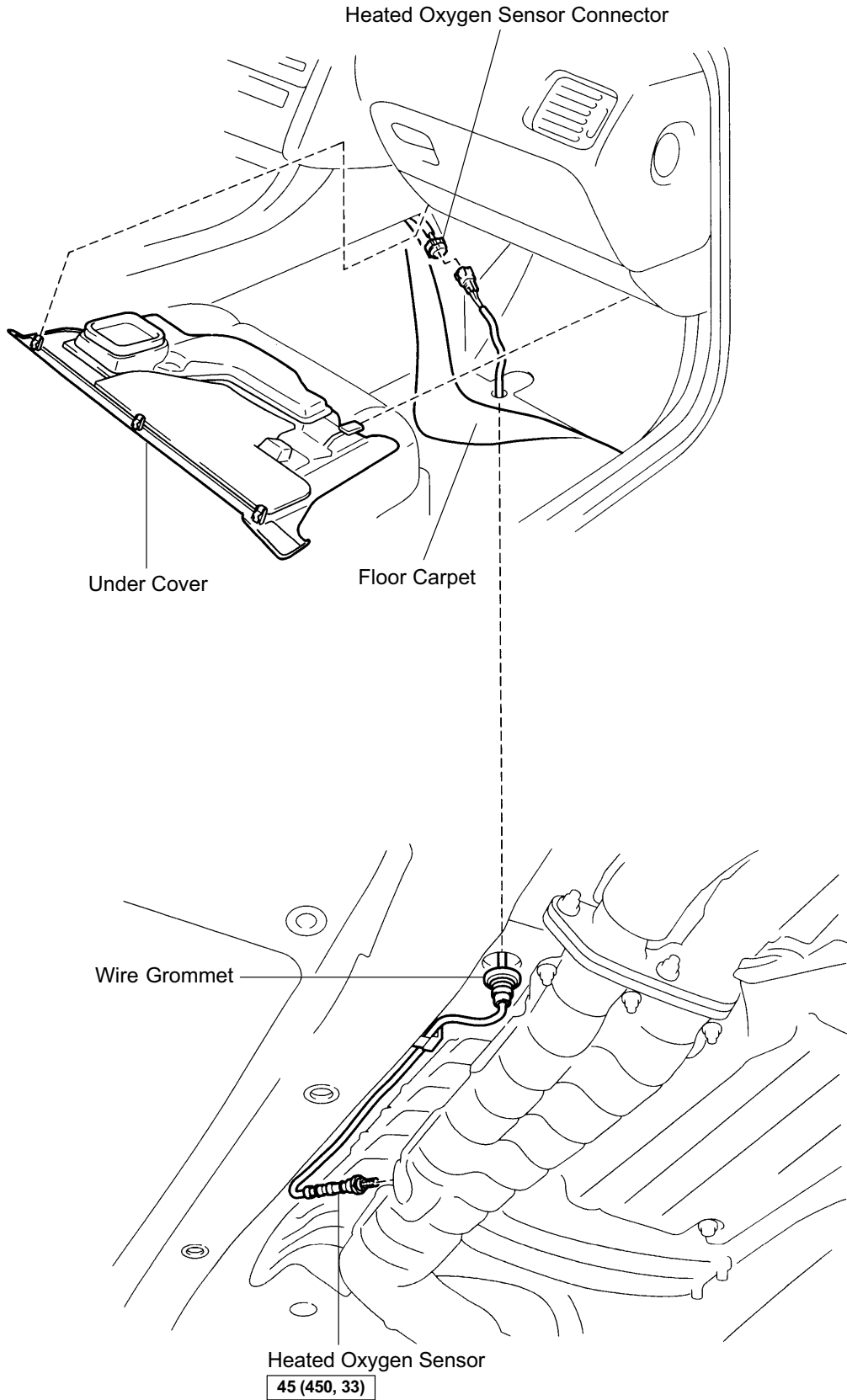


Bank 2 Sensor 2



N·m (kgf·cm, ft·lbf) : Specified torque

B02815