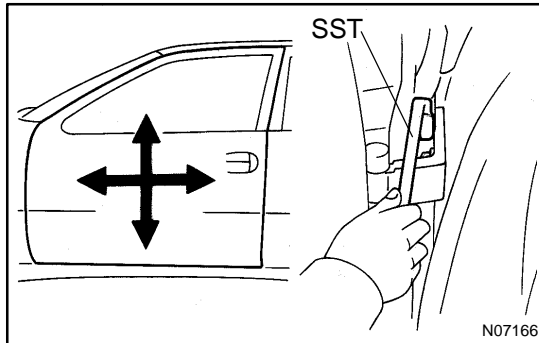


## ADJUSTMENT

### HINT:

Since the centering bolt is used as the door side hinge bolt, the door hinge cannot be adjusted with it on. Substitute the bolt with the washer for the centering bolt.

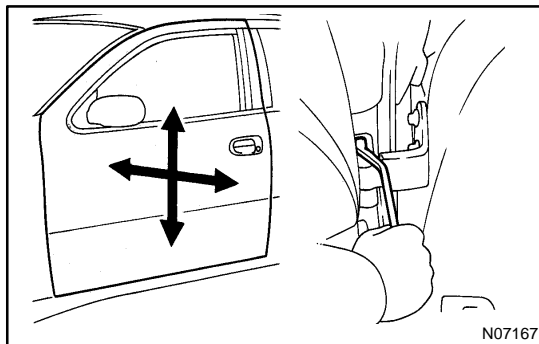


### 1. ADJUST FRONT DOOR IN FORWARD/REARWARD AND VERTICAL DIRECTIONS

Using SST, adjust the door by loosening the body side hinge bolts.

SST 09812-00010

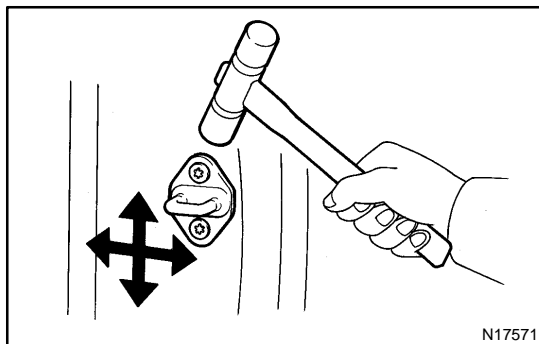
**Torque: 32.5 N·m (331 kgf·cm, 24 ft·lbf)**



### 2. ADJUST FRONT DOOR IN LEFT/RIGHT AND VERTICAL DIRECTIONS

Loosen the door side hinge bolts to adjust.

**Torque: 32.5 N·m (331 kgf·cm, 24 ft·lbf)**



### 3. ADJUST FRONT DOOR LOCK STRIKER

(a) Check that the door fit and door lock linkages are adjusted correctly.

(b) Using a screwdriver, remove the striker cover.

### HINT:

Tape the screwdriver tip before use.

(c) Adjust the striker position by slightly loosening the striker mounting screws, and hitting the striker with a hammer. Tighten the striker mounting screws again.

**Torque: 23 N·m (235 kgf·cm, 17 ft·lbf)**

(d) Install the striker cover.