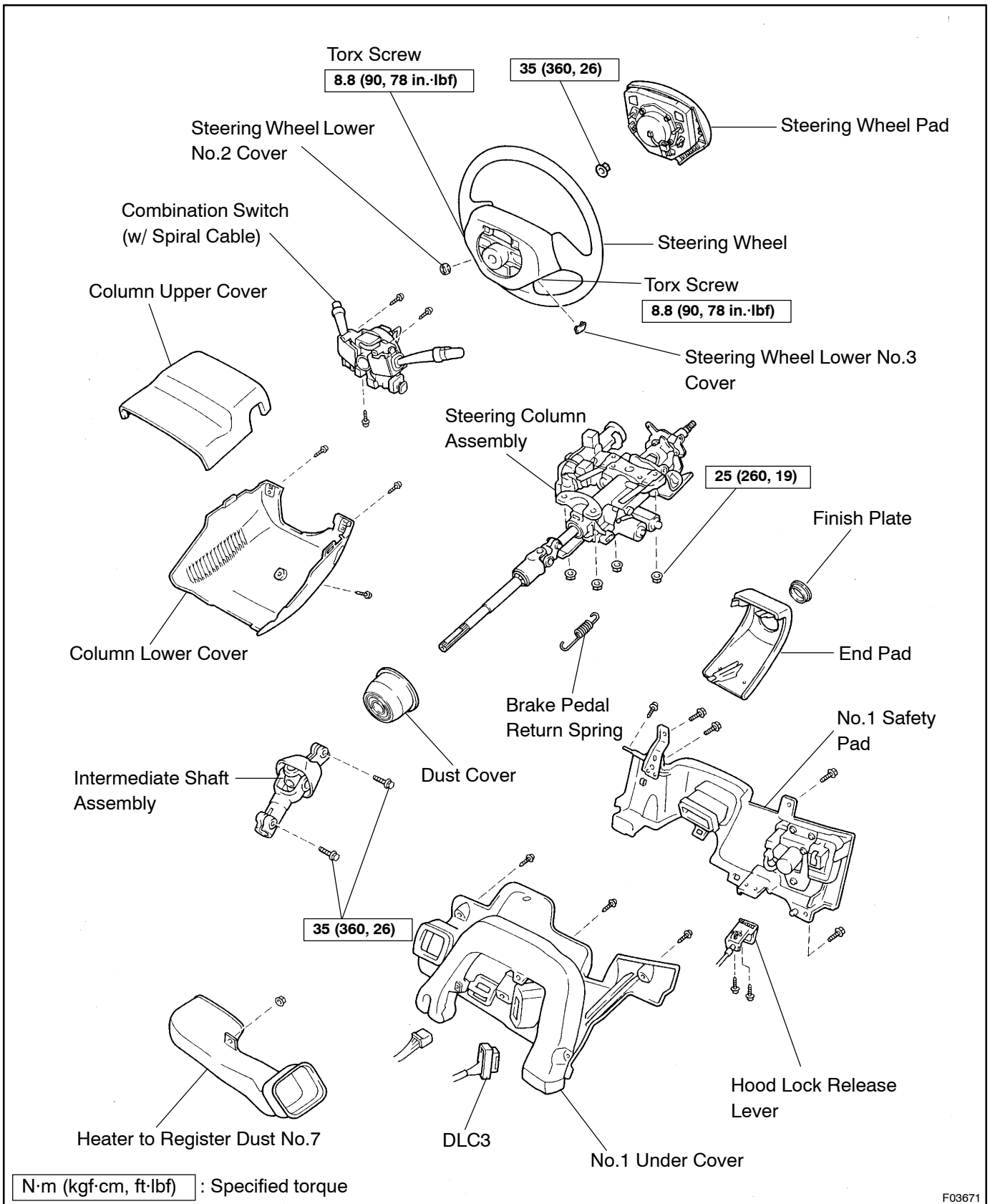
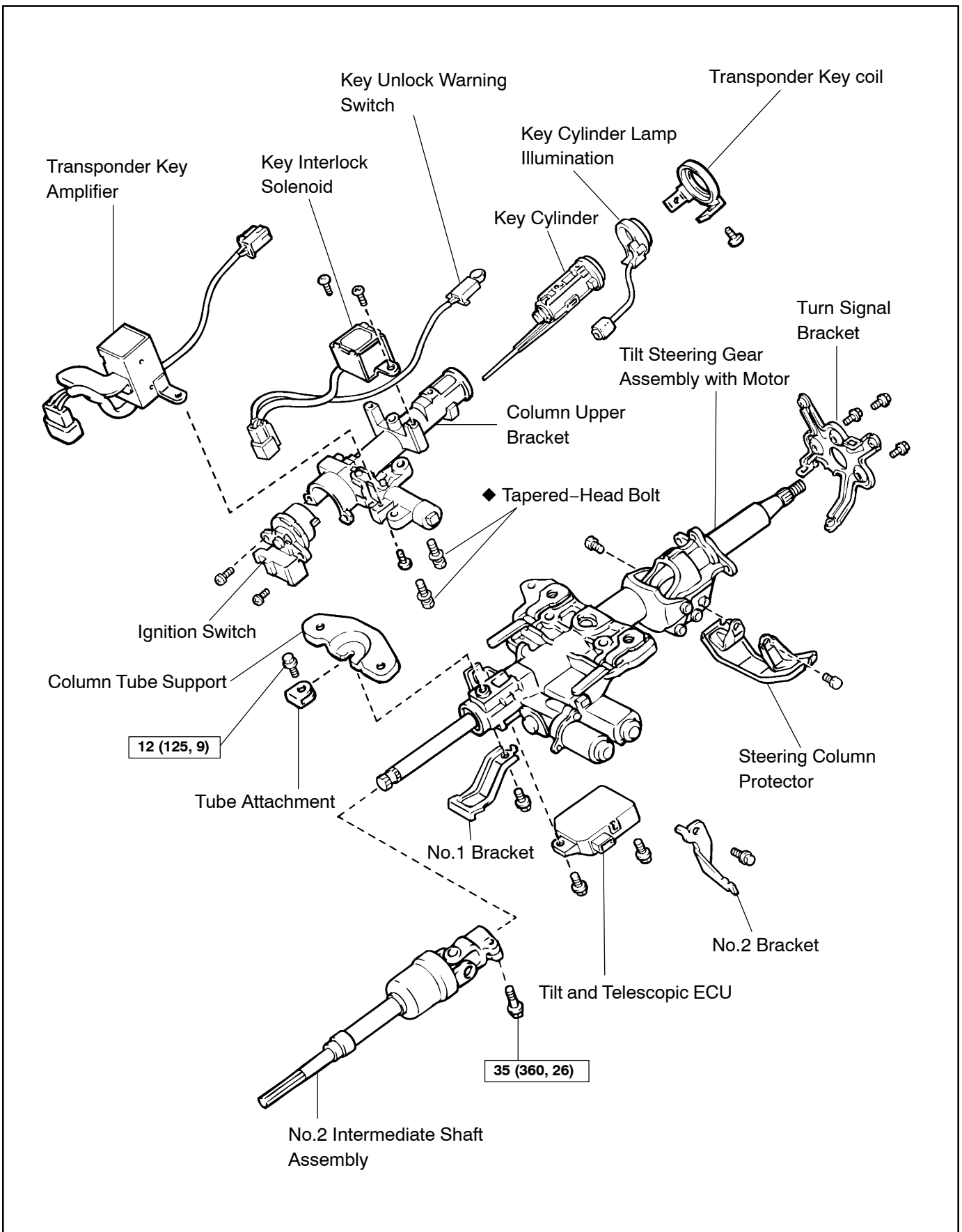


POWER TILT AND POWER TELESCOPIC STEERING COLUMN COMPONENTS

SR00K-02



F03671



N·m (kgf·cm, ft·lbf) : Specified torque

◆ Non-reusable part