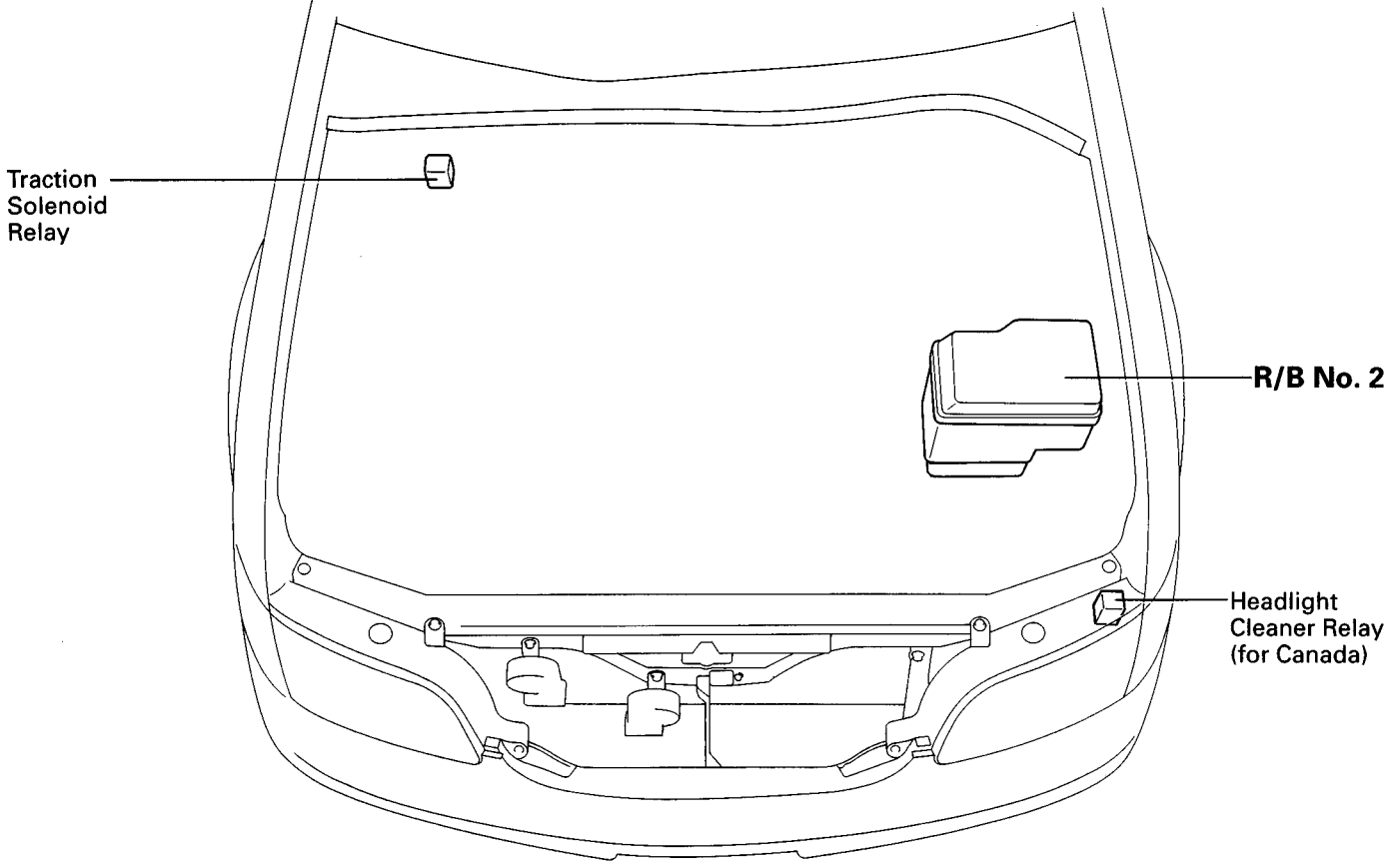
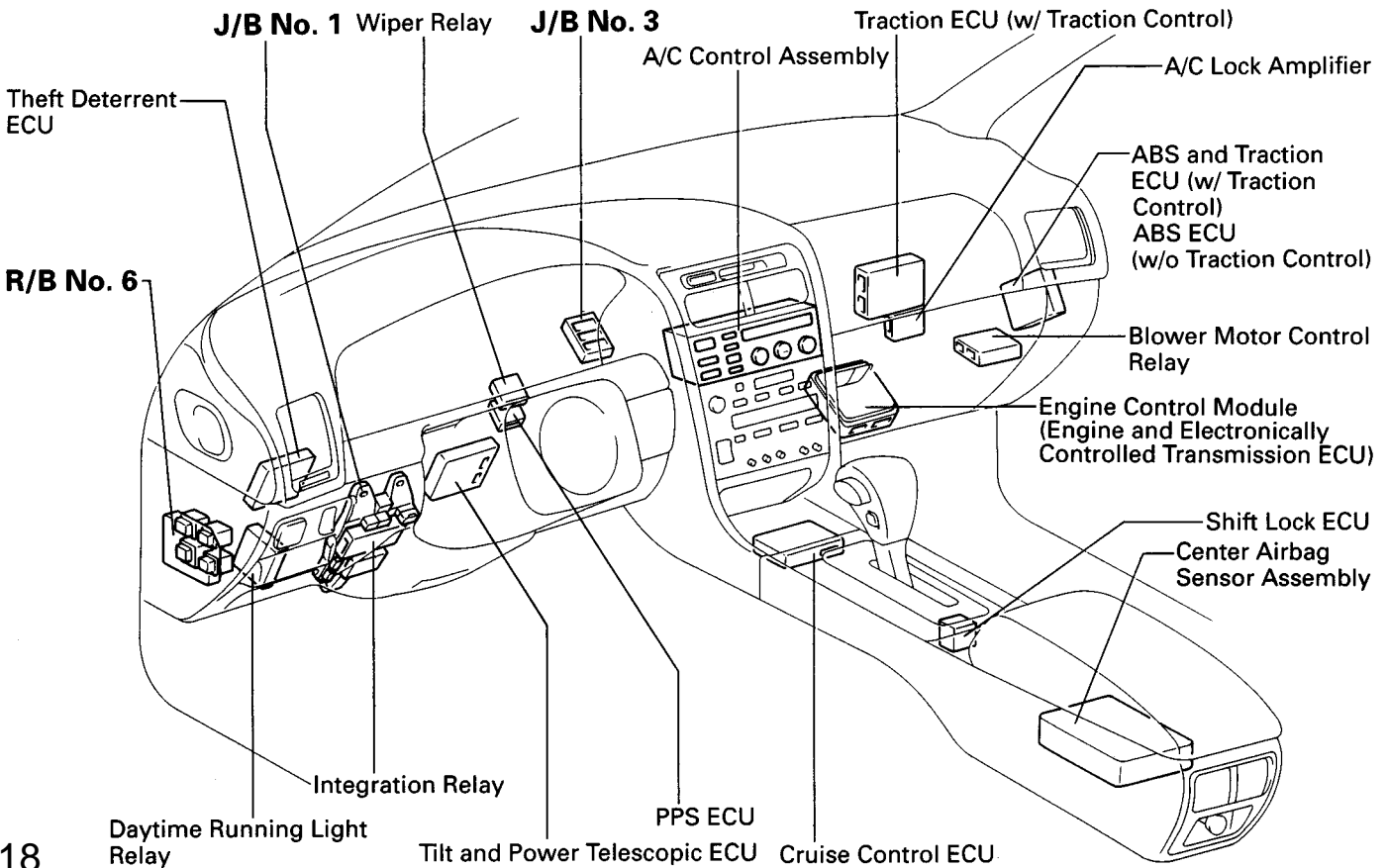


# RELAY LOCATIONS

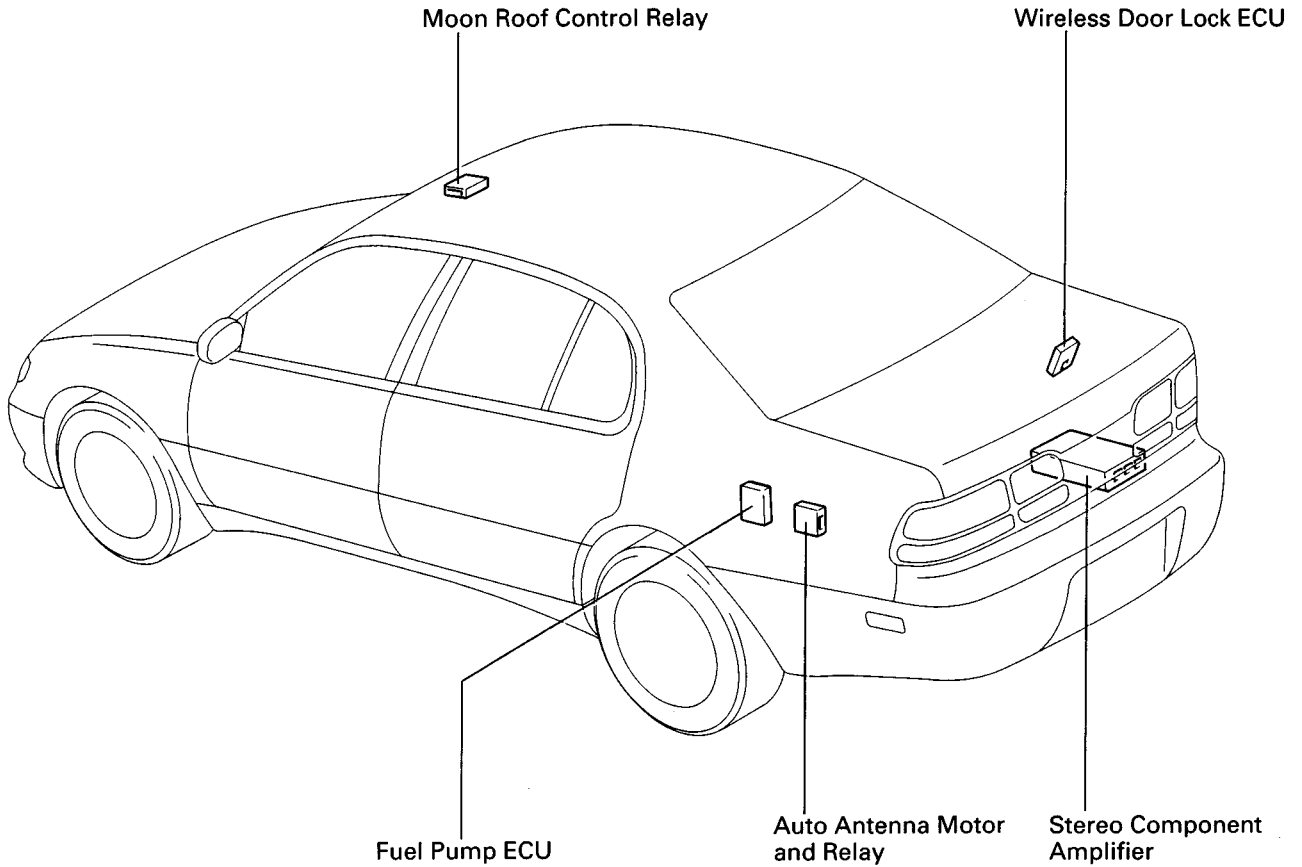
## [Engine Compartment]



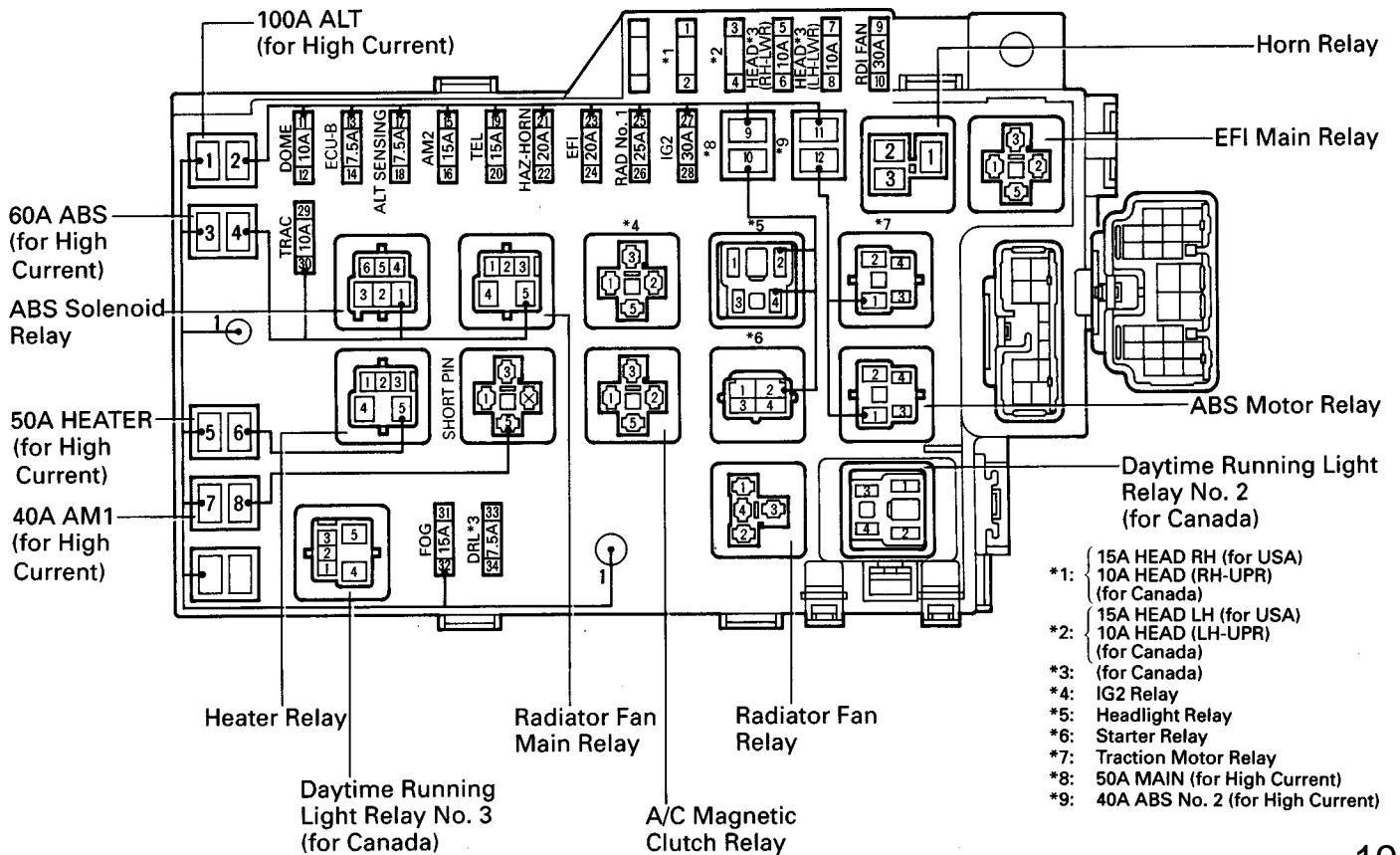
## [Instrument Panel]



[Body]

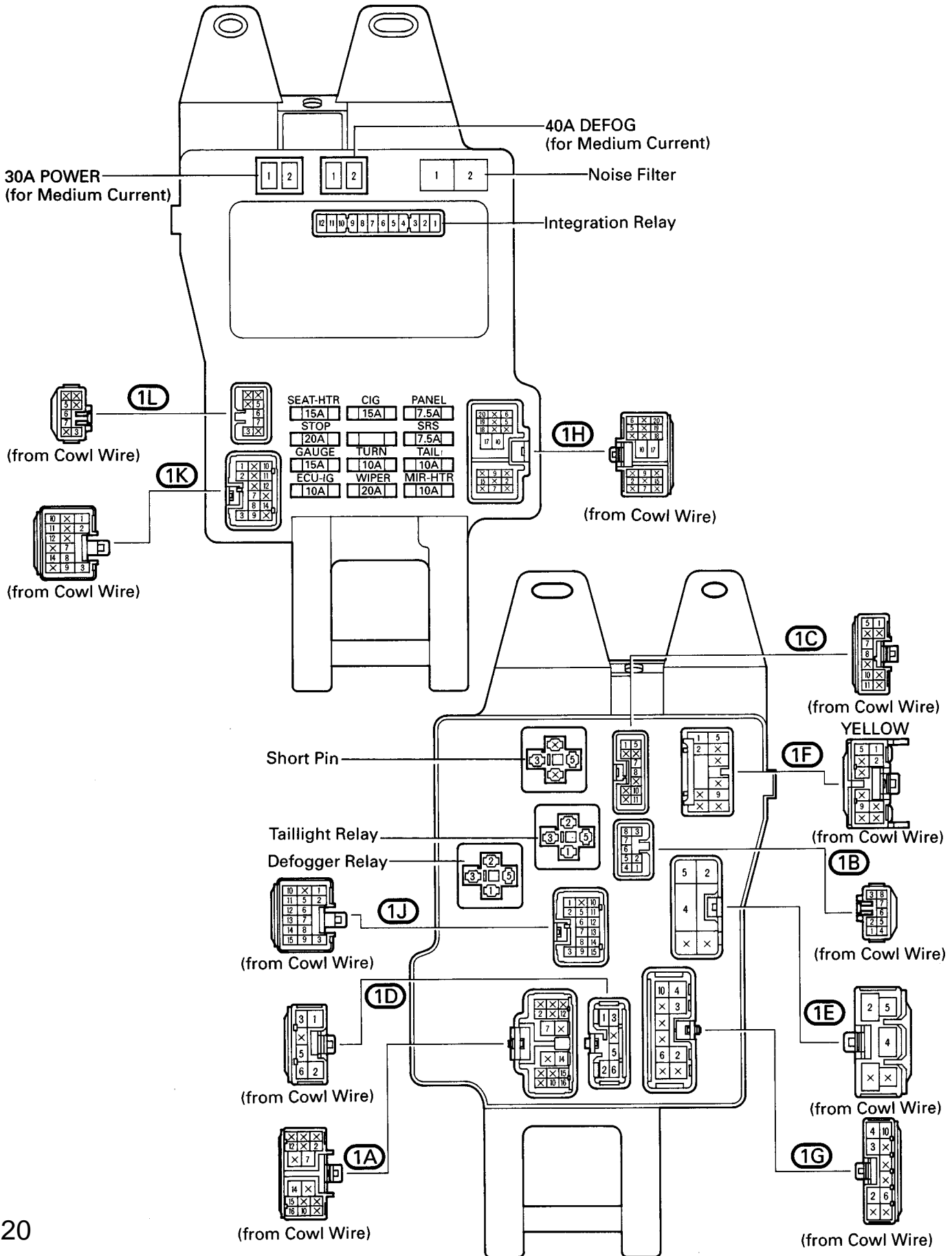


② : R/B No. 2 Engine Compartment Left (See Page 18)

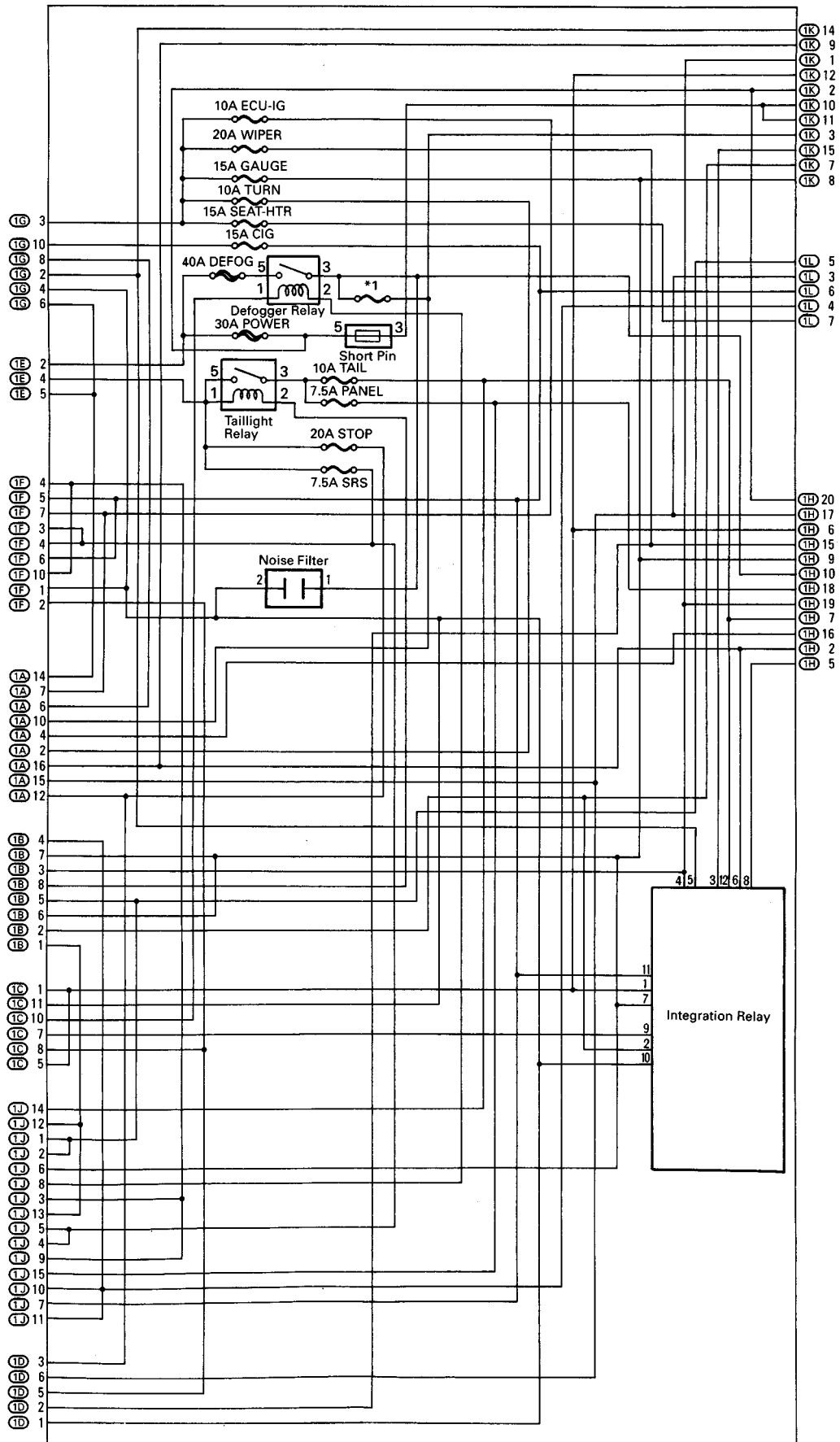


# RELAY LOCATIONS

○ : J/B No. 1      Left Kick Panel (See Page 18)



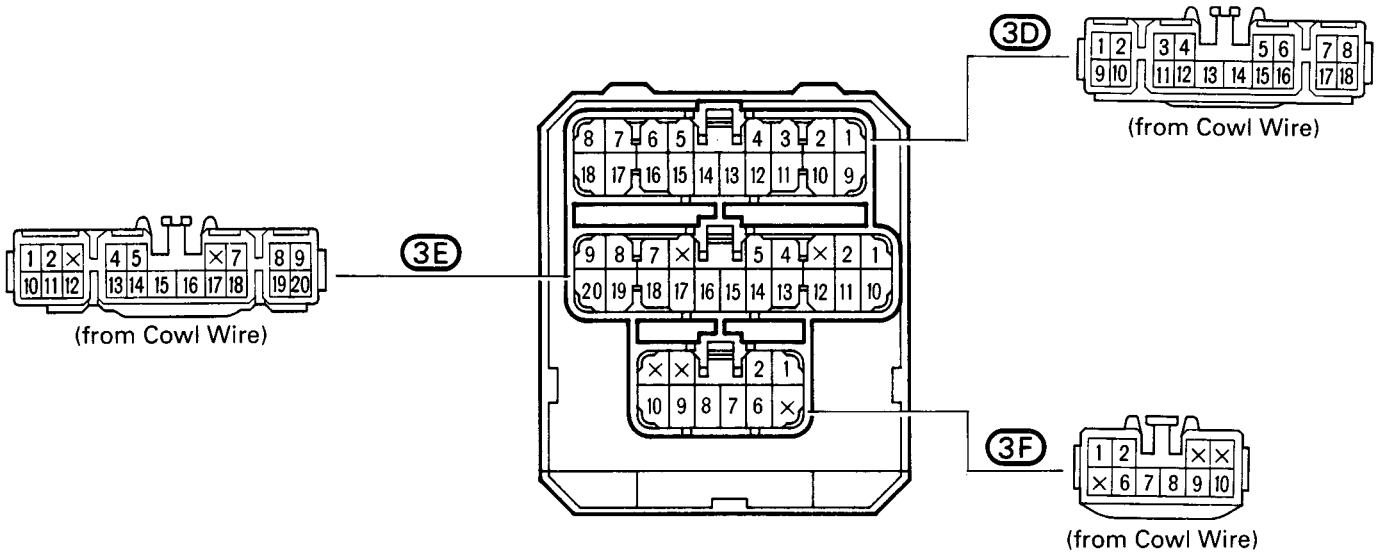
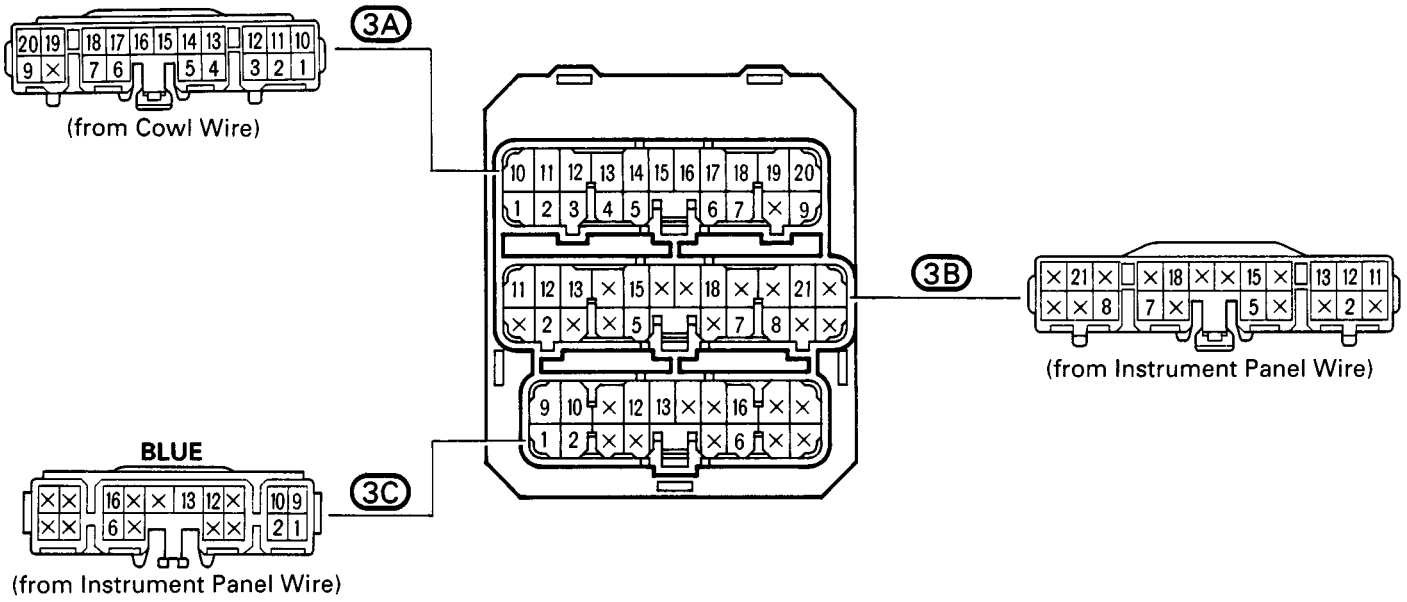
[J/B No. 1 Inner Circuit]



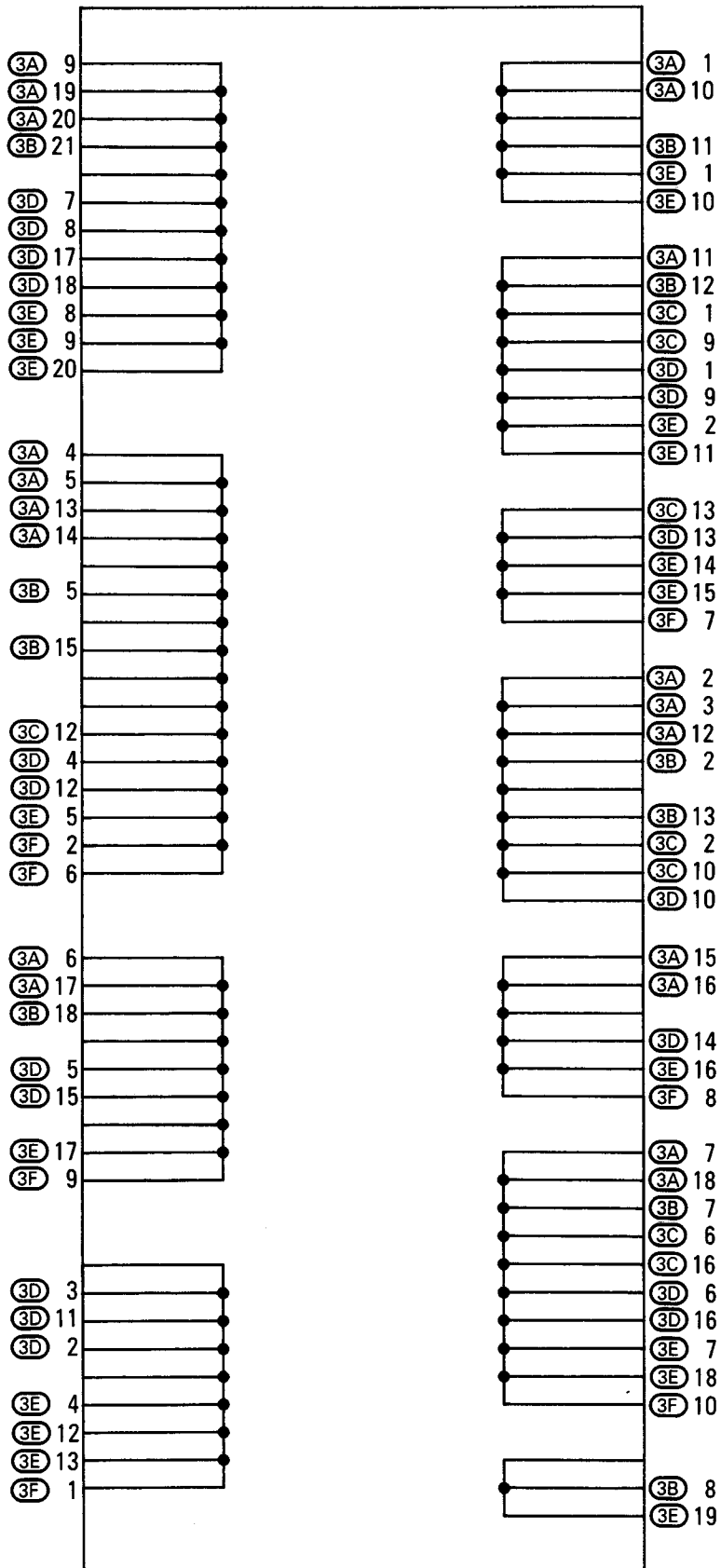
\*1: 10A MIR-HTR

# RELAY LOCATIONS

○ : J/B No. 3 Behind the Instrument Panel Center (See Page 18)



[J/B No. 3 Inner Circuit]



# RELAY LOCATIONS

⑥ : R/B No. 6	Left Kick Panel (See Page 18)
---------------	-------------------------------

