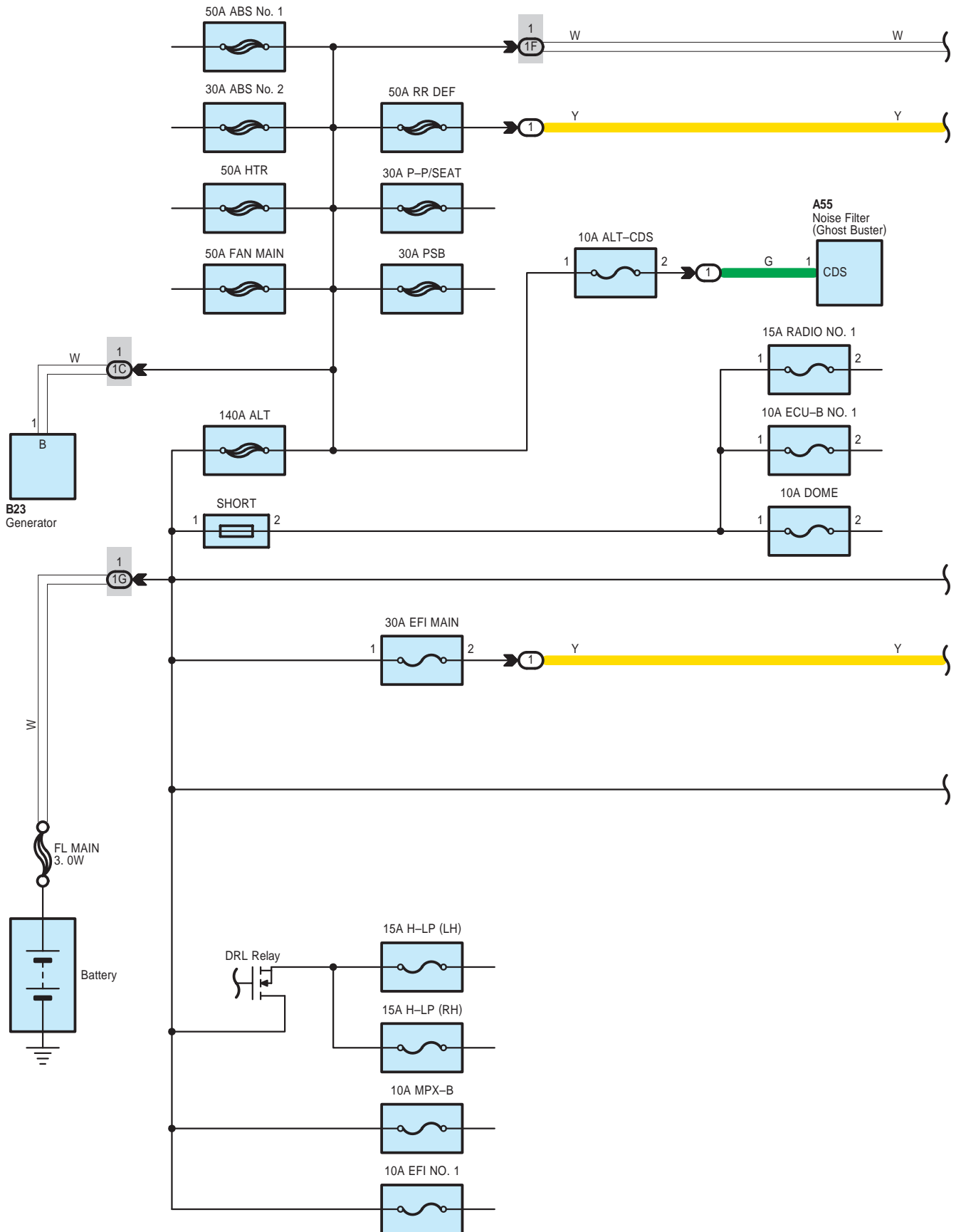
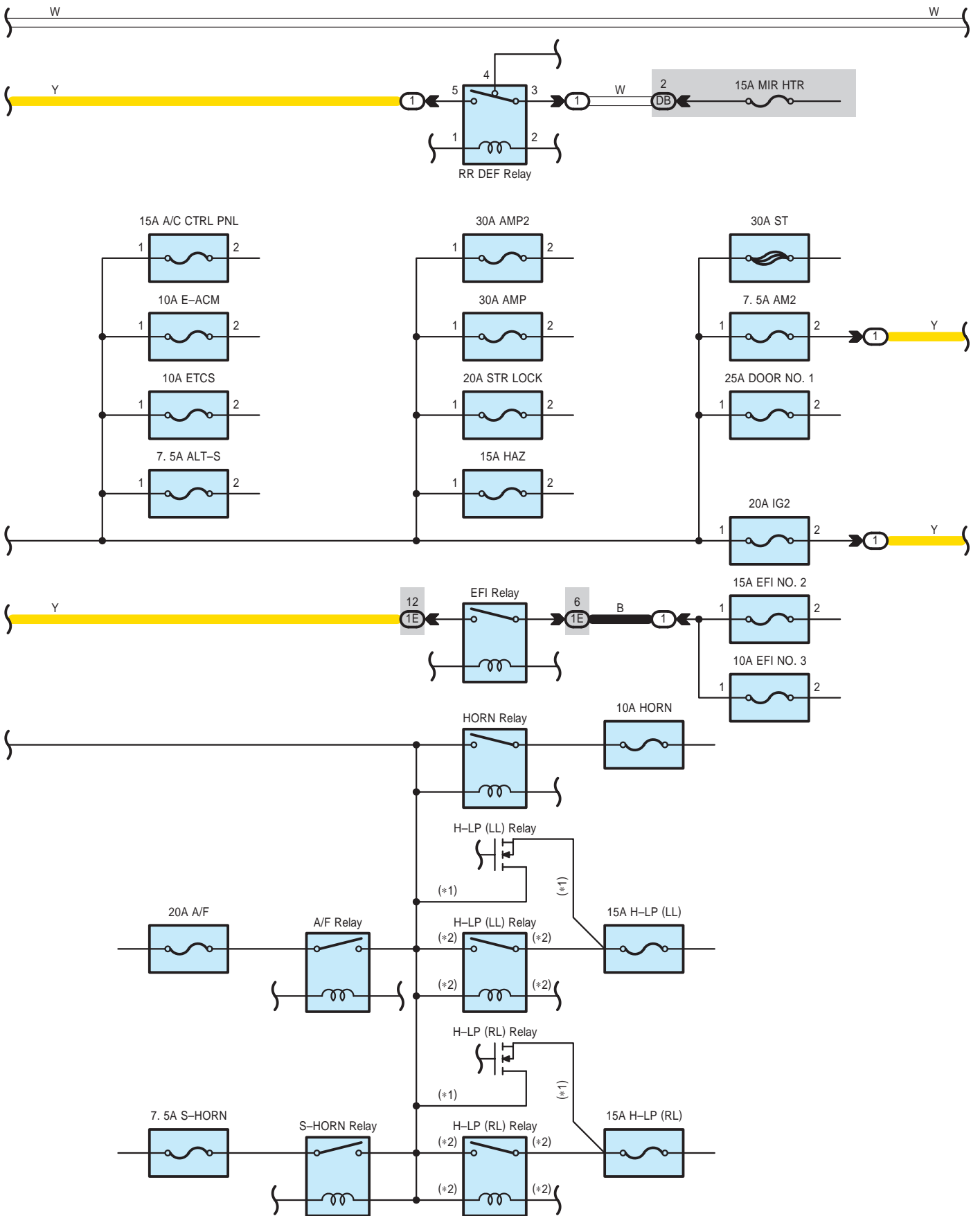


Power Source

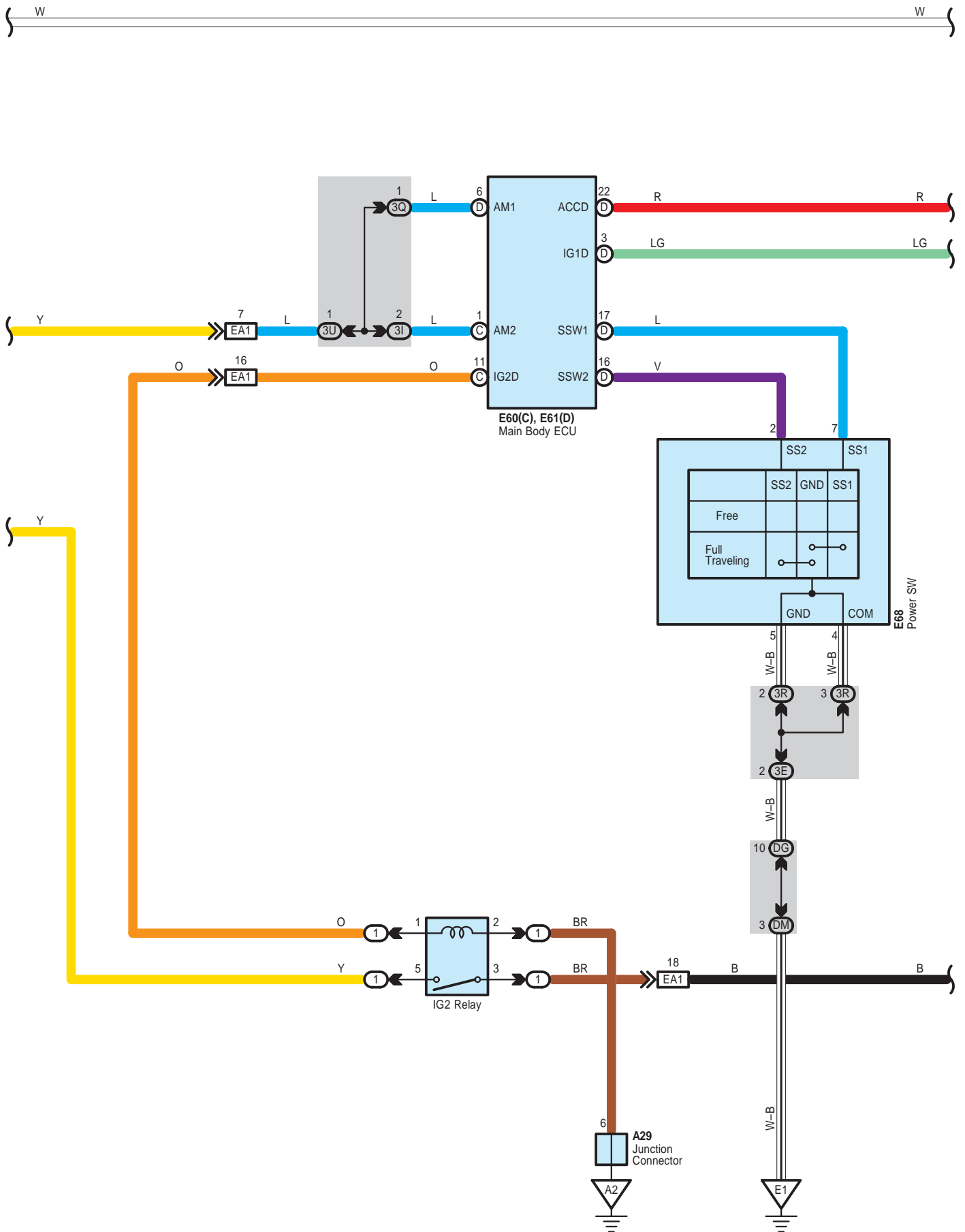


Power Source

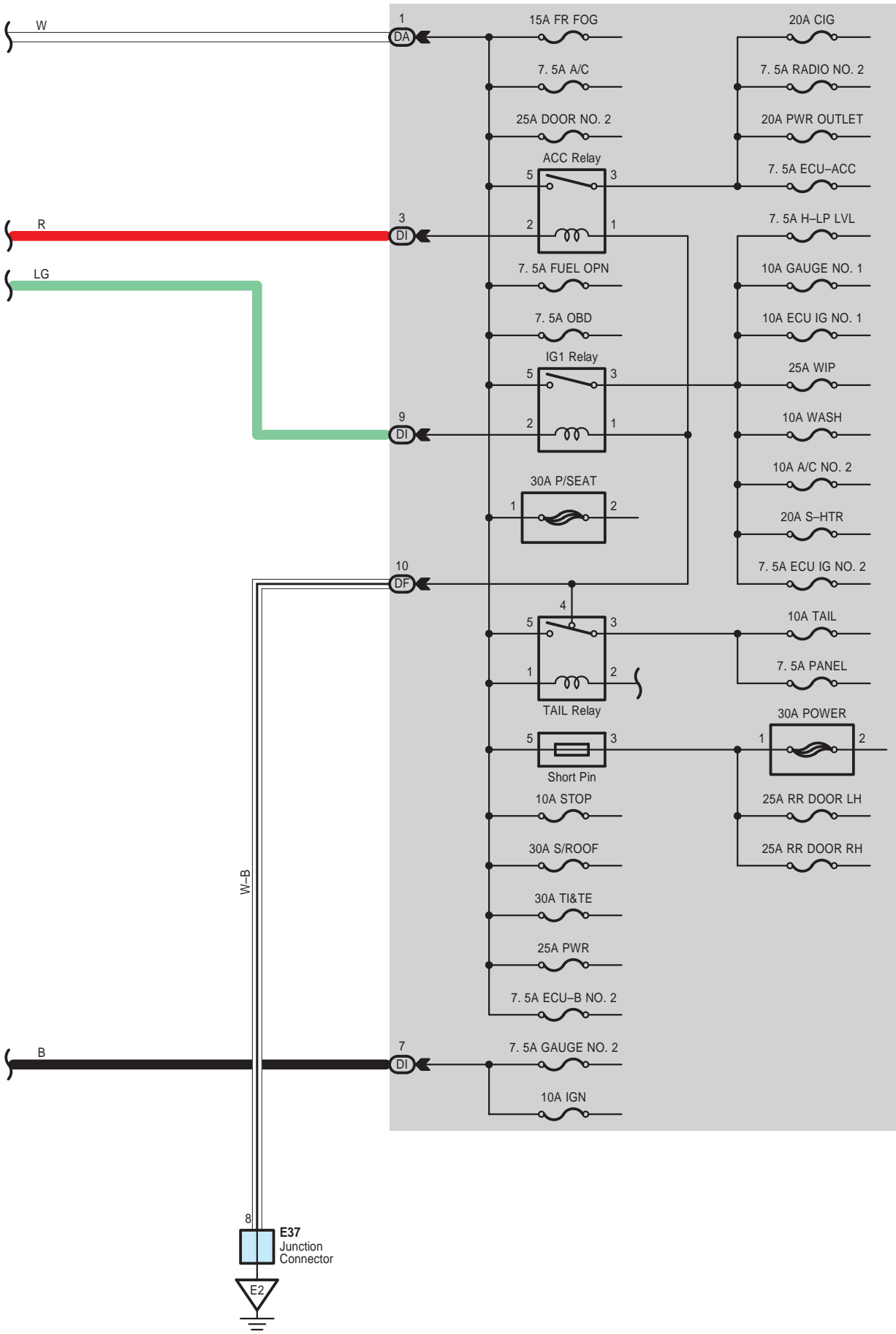
\* 1 : HID Type  
 \* 2 : Except HID Type



Power Source



Power Source

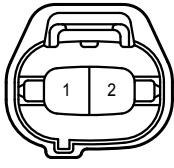


Power Source

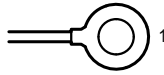
A 29  
Gray



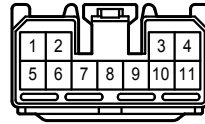
A 55  
Black



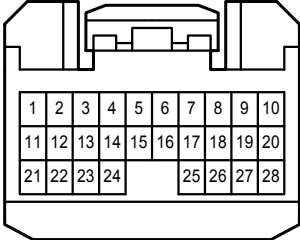
B 23



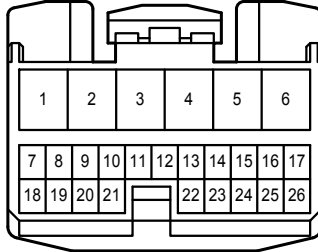
E 37  
White



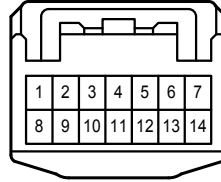
E 60  
White



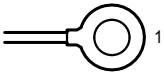
E 61  
White



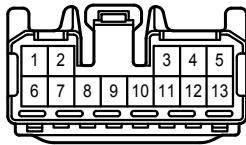
E 68  
Black



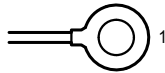
1C



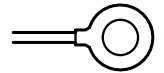
1E  
Black



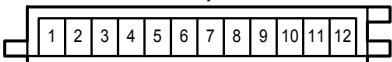
1F



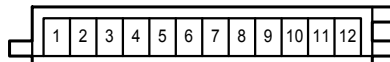
1G



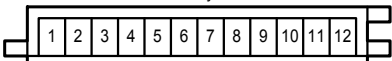
3E  
Gray



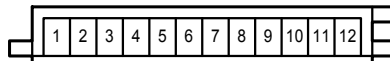
3I  
White



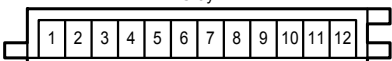
3Q  
Gray



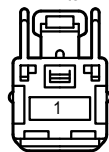
3R  
White



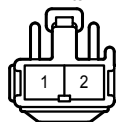
3U  
Gray



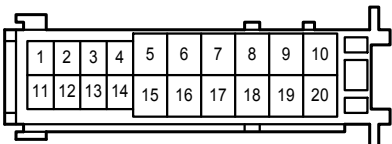
DA  
White



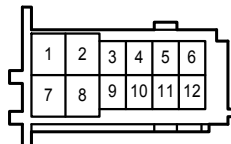
DB  
White



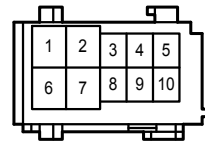
DF  
White



DG  
White

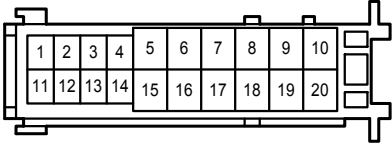


DI  
White



Power Source

DM  
White



EA1  
White

