

Last Modified: 7-13-2007		1.7 A
Service Category: Vehicle Interior	Section: Interior Panels/Trim	
Model Year: 2008	Model: ES350	Doc ID: RM000002DMJ003X
Title: INTERIOR: REAR CONSOLE BOX: REMOVAL (2008 ES350)		

REMOVAL

1. REMOVE INSTRUMENT PANEL FINISH PANEL END LH

INFO

2. REMOVE INSTRUMENT PANEL FINISH PANEL END RH

INFO

3. REMOVE SHIFT LEVER KNOB SUB-ASSEMBLY

INFO

4. REMOVE UPPER CONSOLE PANEL ASSEMBLY WITH FRONT ASH RECEPTACLE

INFO

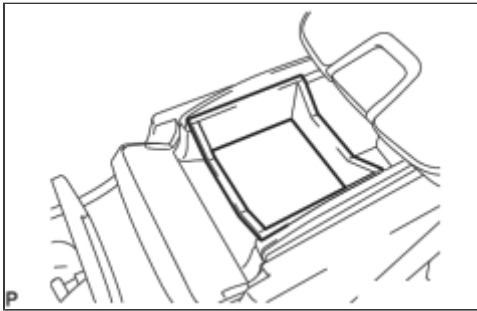
5. REMOVE HEATER SEAT SWITCH CONSOLE BASE (w/o Seat Heater System)

INFO

6. REMOVE HEATER SEAT SWITCH CONSOLE BASE (w/ Seat Heater System)

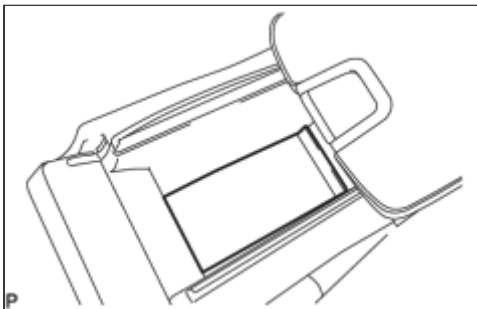
INFO

7. REMOVE CONSOLE BOX POCKET



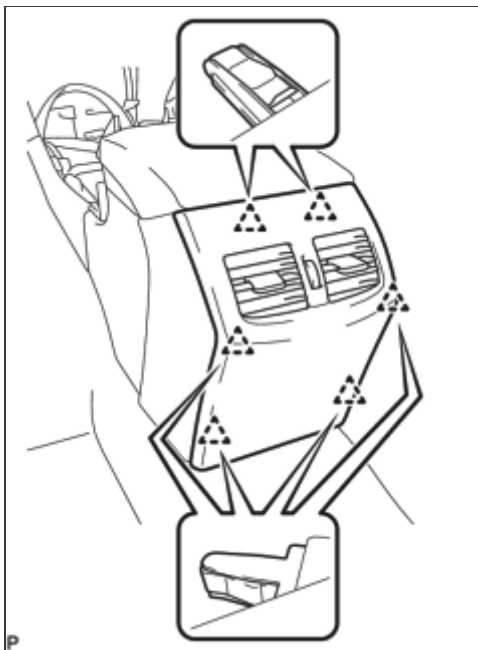
(a) Remove the console box pocket.

8. REMOVE CONSOLE BOX CARPET



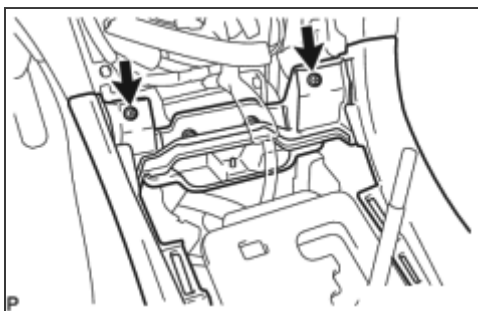
(a) Remove the console box carpet.

9. REMOVE CONSOLE REAR END PANEL SUB-ASSEMBLY

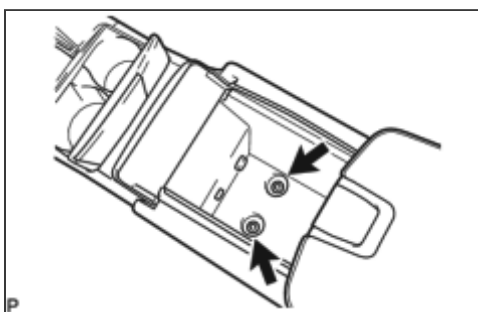


(a) Disengage the 6 claws and remove the console rear end panel sub-assembly.

10. REMOVE REAR CONSOLE BOX ASSEMBLY

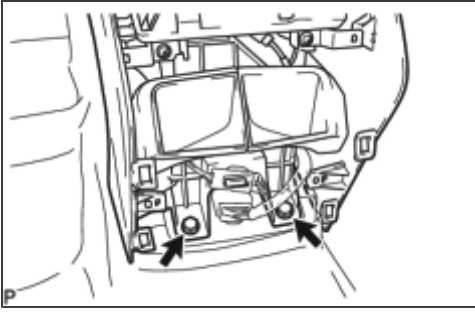


(a) Remove the 2 screws.



(b) Remove the 2 bolts.

(c) Remove the 2 bolts.



(d) Disengage the 4 clips and remove the rear console box assembly.

(e) Disconnect each connector.

