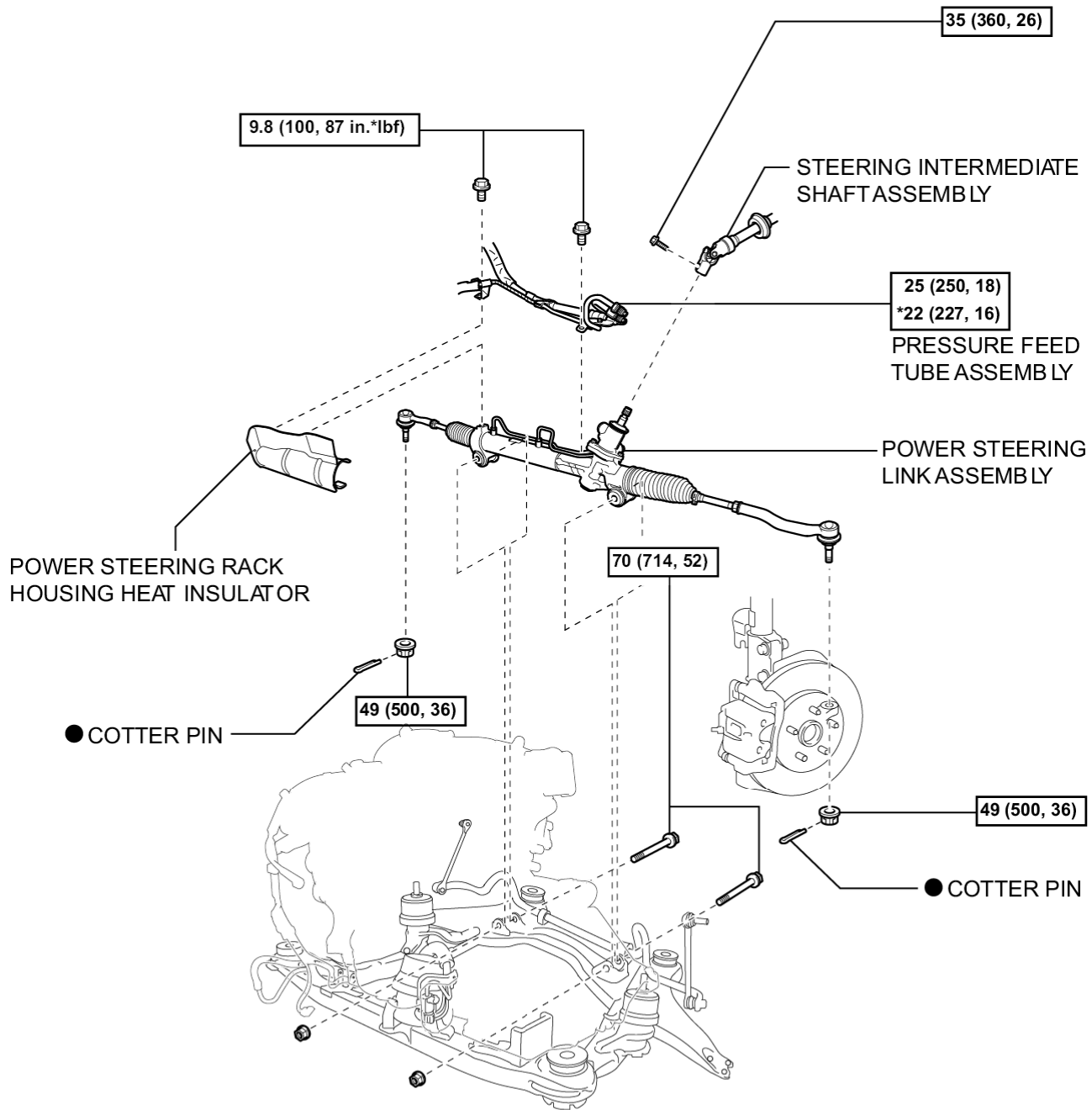


|  |                                      |                                |
|--|--------------------------------------|--------------------------------|
| <b>Last Modified:</b> 7-13-2007  |                                      | 1.6 K                          |
| <b>Service Category:</b> Steering  | <b>Section:</b> Power Assist Systems |                                |
| <b>Model Year:</b> 2008  | <b>Model:</b> ES350                  | <b>Doc ID:</b> RM000001S2O00EX |
| <b>Title:</b> POWER STEERING: POWER STEERING LINK: COMPONENTS (2008 ES350) |                                      |                                |

**COMPONENTS**

**ILLUSTRATION**

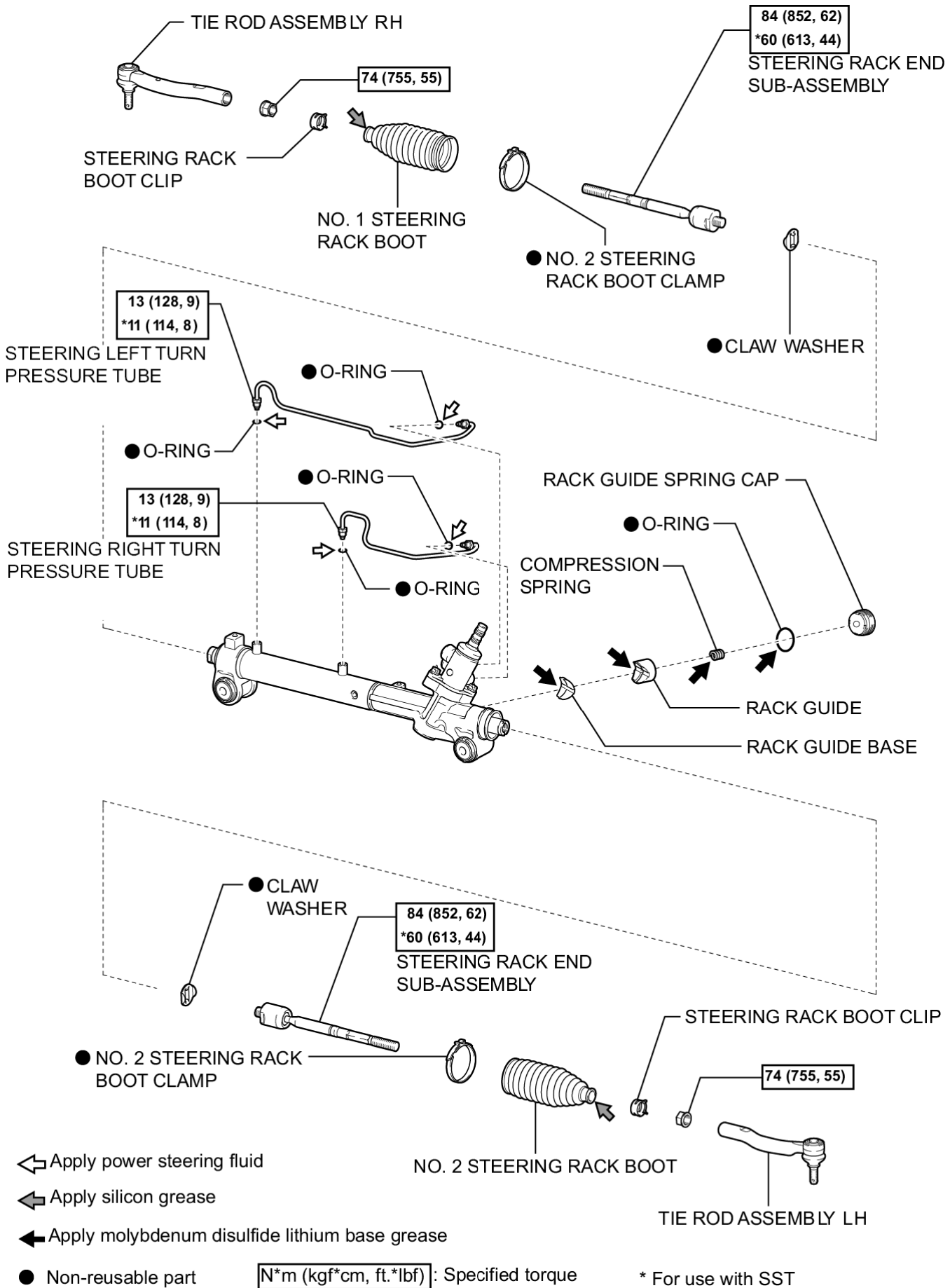


**N\*m (kgf\*cm, ft.\*lbf)** : Specified torque

● Non-reusable part

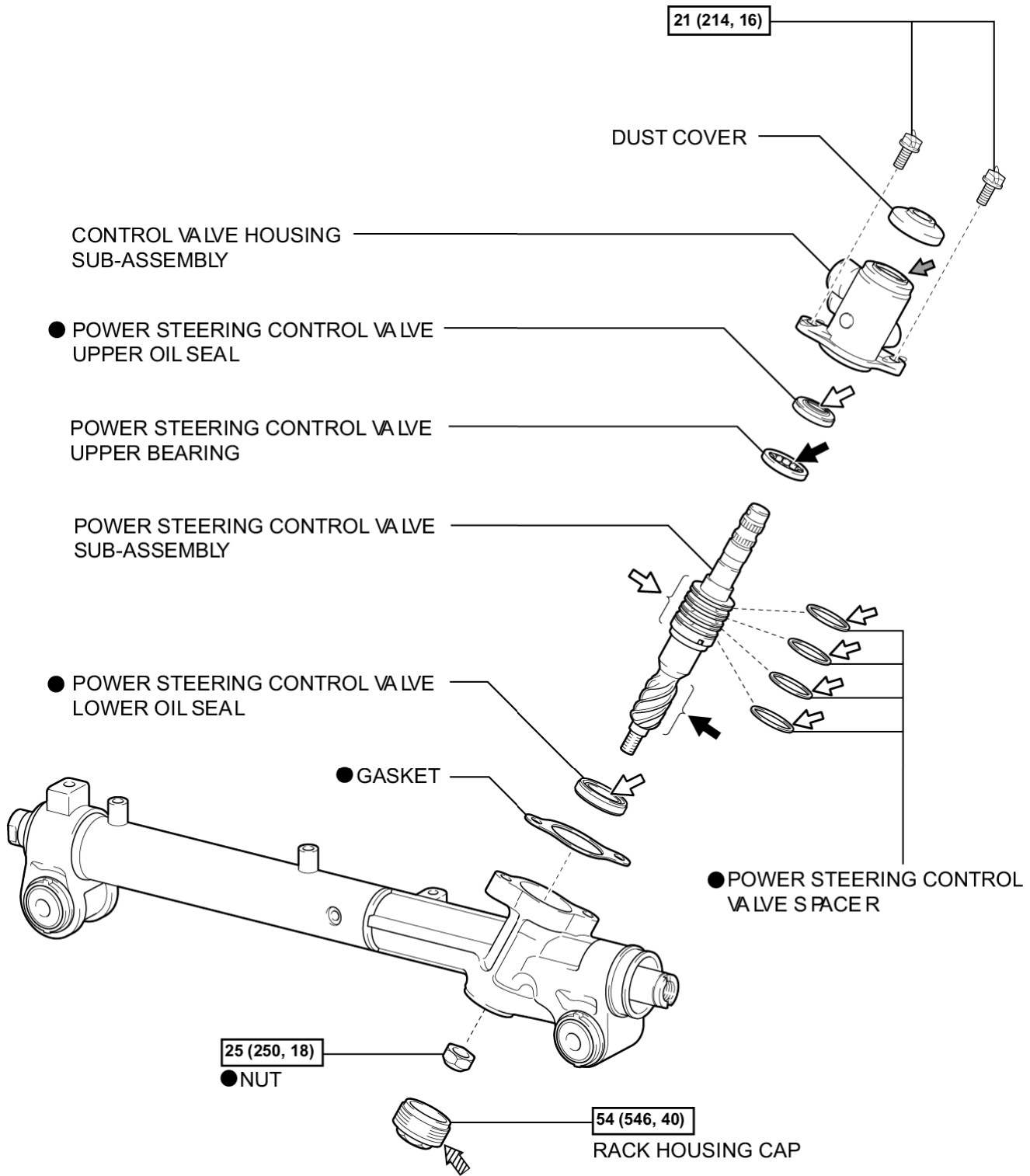
\* For use with SST

## ILLUSTRATION



P

# ILLUSTRATION



↖ Precoated part

↖ Apply MP grease

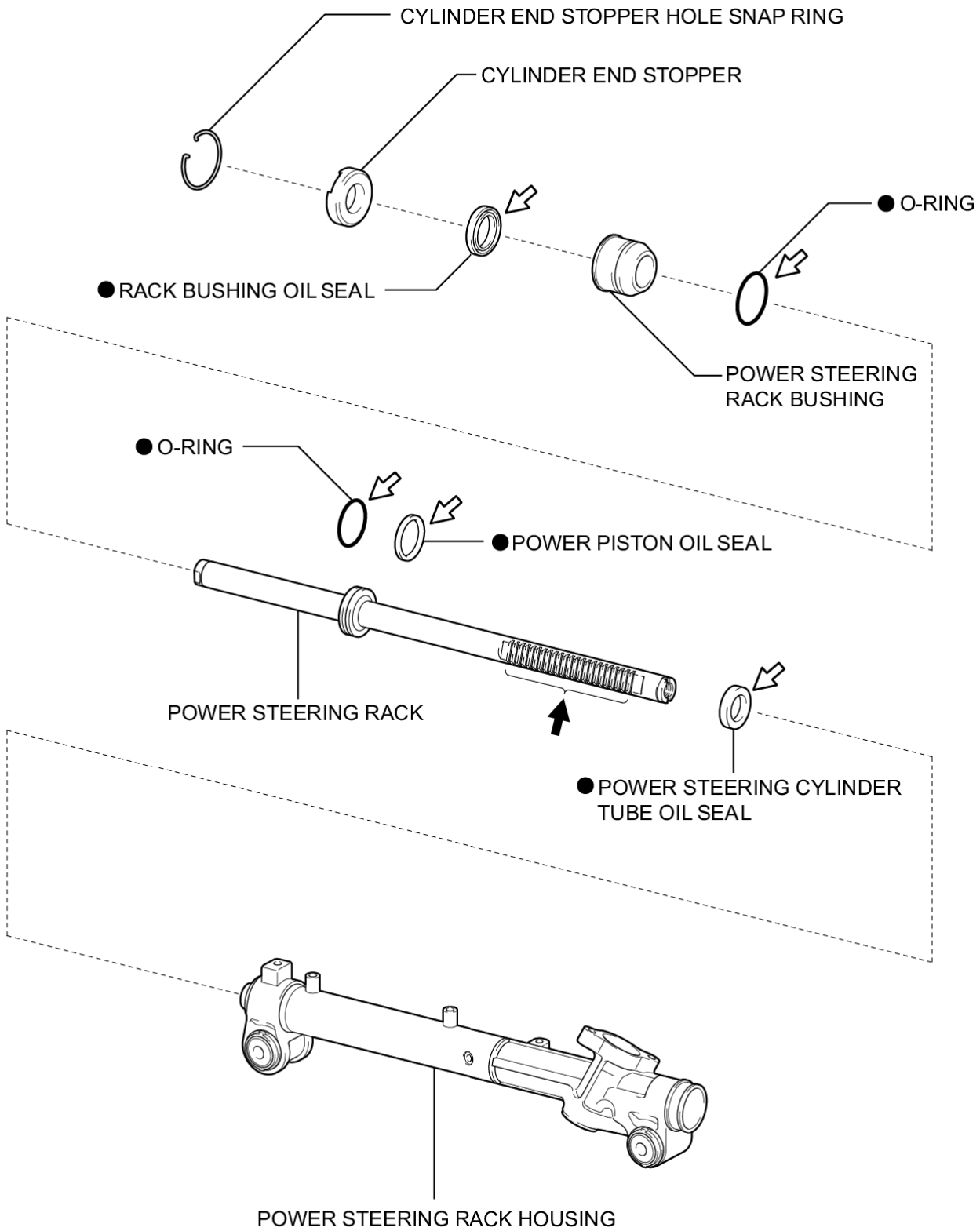
↖ Apply power steering fluid

↖ Apply molybdenum disulfide lithium base grease

● Non-reusable part

**[N\*m (kgf\*cm, ft.\*lbf)]**: Specified torque

## ILLUSTRATION



↔ Apply power steering fluid

← Apply molybdenum disulfide lithium base grease

● Non-reusable part

P

