

Last Modified: 7-13-2007		1.7 N
Service Category: Vehicle Interior	Section: Supplemental Restraint Systems	
Model Year: 2008	Model: ES350	Doc ID: RM000000V2S00FX
Title: SUPPLEMENTAL RESTRAINT SYSTEM: FRONT PASSENGER SIDE KNEE AIRBAG ASSEMBLY: DISPOSAL (2008 ES350)		

DISPOSAL

HINT:

When scrapping a vehicle equipped with the SRS or disposing of the front passenger side knee airbag assembly, be sure to deploy the airbag first in accordance with the procedure described below. If any abnormality occurs with the airbag deployment, contact the SERVICE DEPT. of TOYOTA MOTOR SALES, U.S.A., INC.

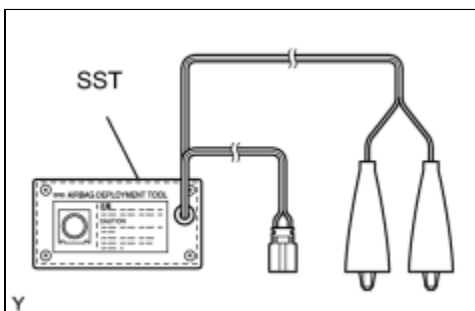
CAUTION:

- Never dispose of a front passenger side knee airbag assembly that has an undeployed airbag.
- The airbag produces an exploding sound when it is deployed, so perform the operation outdoors and where it will not create a nuisance to nearby residents.
- When deploying the airbag, always use the specified SST (SRS Airbag Deployment Tool). Perform the operation in a place away from electrical noise.
- When deploying the airbag, perform the operation at least 10 m (33 ft) away from the front passenger side knee airbag assembly.
- The front passenger side knee airbag assembly becomes extremely hot when the airbag is deployed, so do not touch it for at least 30 minutes after deployment.
- Use gloves and safety glasses when handling a front passenger side knee airbag assembly with a deployed airbag.
- Do not apply water, etc. to a front passenger side knee airbag assembly with a deployed airbag.
- Always wash your hands with water after completing the operation.

1. DISPOSE OF FRONT PASSENGER SIDE KNEE AIRBAG ASSEMBLY (WHEN INSTALLED IN VEHICLE)

HINT:

Prepare a battery as the power source to deploy the airbag.




(a) Check the function of the SST [INFO](#).

(b) Refer to PRECAUTION [INFO](#).

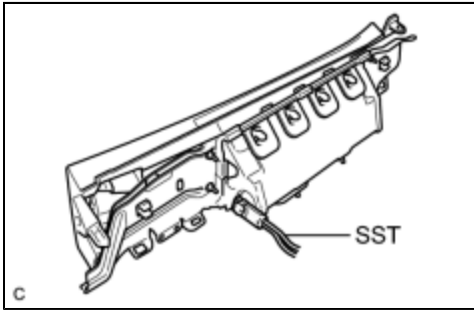
(c) Disconnect the cable from the negative battery terminal.

CAUTION:

Wait for 90 seconds after disconnecting the cable to prevent airbag deployment.

(d) Remove the front passenger side knee airbag assembly  .

(e) Install the SST.




(1) Connect the SST connector to the front passenger side knee airbag assembly.

SST: 09082-00700

SST: 09082-00770

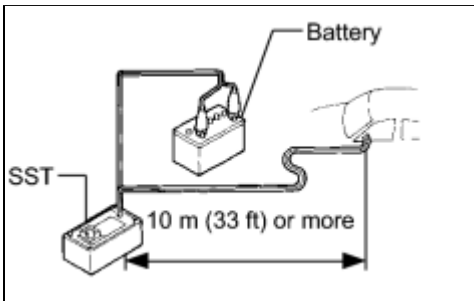
NOTICE:

To avoid damaging the SST connector and wire harness, do not lock the secondary lock of the twin lock.

(2) Install the front passenger side knee airbag assembly  .

NOTICE:

Take care not to damage the SST wire harness.



(3) Move the SST at least 10 m (33 ft) away from the vehicle front side window.

(4) Maintaining enough clearance for the SST wire harness in the front side window, close all doors and windows of the vehicle.

NOTICE:

Take care not to damage the SST wire harness.

(5) Connect the red clip of the SST to the battery positive (+) terminal and the black clip of the SST to the battery negative (-) terminal.

(f) Deploy the airbag.

(1) Check that no one is inside the vehicle or within a 10 m (33 ft) radius of the vehicle.

(2) Press the SST activation switch and deploy the airbag.

CAUTION:

- When deploying the airbag, make sure that no one is near the vehicle.
- The front passenger side knee airbag assembly becomes extremely hot when the airbag is deployed, so do not touch it for at least 30 minutes after deployment.
- Use gloves and safety glasses when handling a front passenger side knee airbag assembly with a deployed airbag.
- Do not apply water, etc. to a front passenger side knee airbag assembly with a deployed airbag.
- Always wash your hands with water after completing the operation.

HINT:

The airbag is deployed as the LED of the SST activation switch comes on.

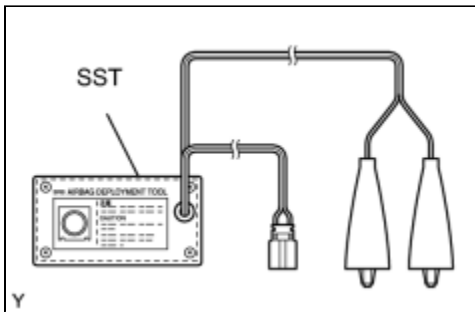
2. DISPOSE OF FRONT PASSENGER SIDE KNEE AIRBAG ASSEMBLY (WHEN NOT INSTALLED IN VEHICLE)

NOTICE:

- When disposing of the front passenger side knee airbag assembly, never use the customer's vehicle to deploy the airbag.
- Be sure to follow the procedure detailed below when deploying the airbag.

HINT:

Prepare a battery as the power source to deploy the airbag.



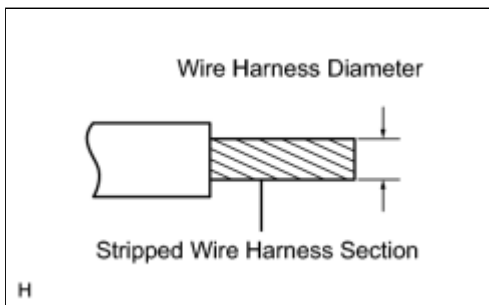
(a) Check the function of the SST [INFO](#).

(b) Remove the front passenger side knee airbag assembly [INFO](#).

CAUTION:

- When removing the front passenger side knee airbag assembly, work must be started 90 seconds after the engine switch is turned off and the negative (-) terminal cable is disconnected from the battery.
- When storing the front passenger side knee airbag assembly, keep the airbag deployment side facing upward.

(c) Using a service-purpose wire harness for the vehicle, tie down the front passenger side knee airbag assembly to the tire.



Wire harness:

Stripped wire harness section

1.25 mm² or more (0.0019 in.² or more)

CAUTION:

If the wire harness is too thin or an alternative object is used to tie down the front passenger side knee airbag assembly, it may be snapped by the shock when the airbag is deployed. Always use a wire harness for vehicle use with an area of at least 1.25 mm² (0.0019 in.²).

HINT:

To calculate the area of the stripped wire harness section:

$$\text{Area} = 3.14 \times (\text{Diameter})^2 \text{ divided by } 4$$

- (1) Position the front passenger side knee airbag assembly inside the tire with the airbag deployment side facing inside.

Tire size:

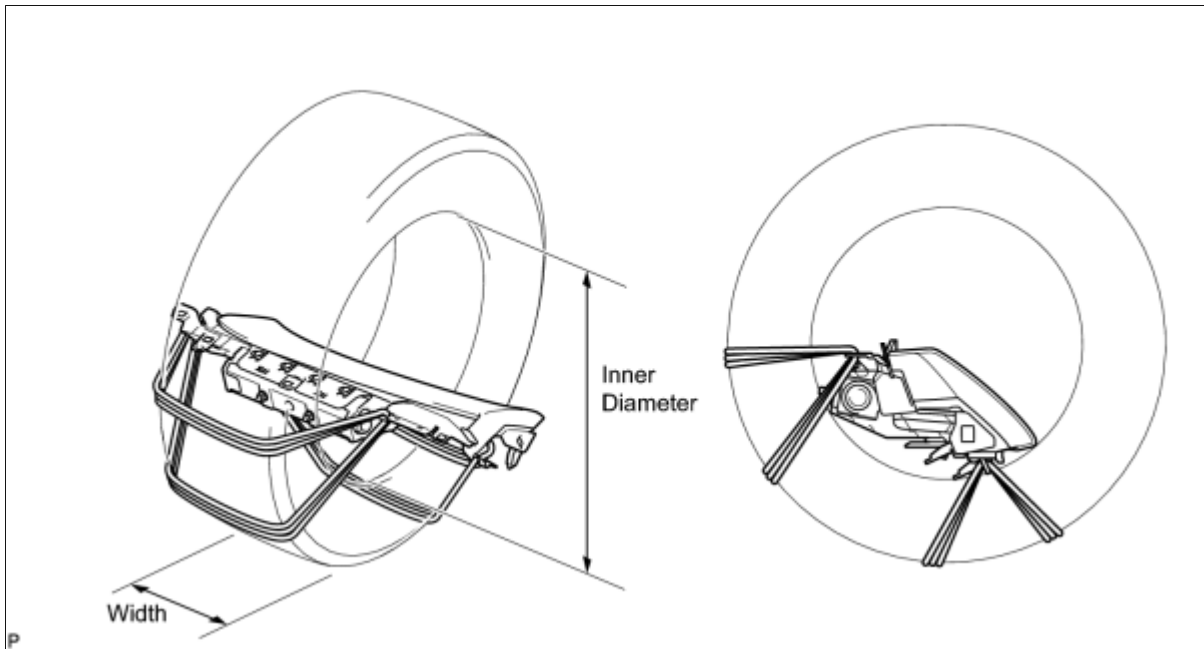
Must exceed the following dimensions

Width:

185 mm (7.28 in.)

Inner diameter:

360 mm (14.17 in.)



CAUTION:

- Make sure that the wire harness is tight. If there is slack in wire harness, the front passenger side knee airbag assembly may become loose due to the shock when the airbag is deployed.
- Always tie down the front passenger side knee airbag assembly with the airbag deployment side facing inside the tire.

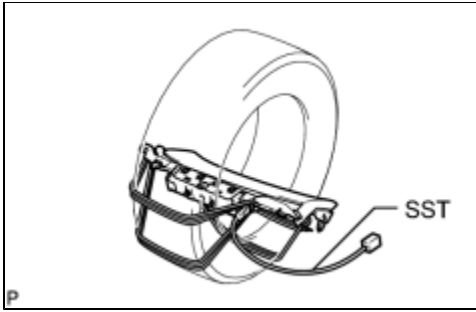
NOTICE:

The tire may be damaged by the airbag deployment, so use an extra tire.

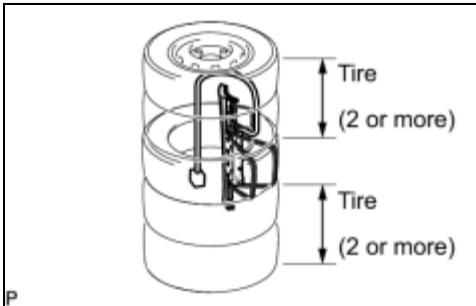
- (d) Install the SST.

- (1) Connect the SST connector to the front passenger side knee airbag assembly.

SST: 09082-00770



(e) Place the tires.

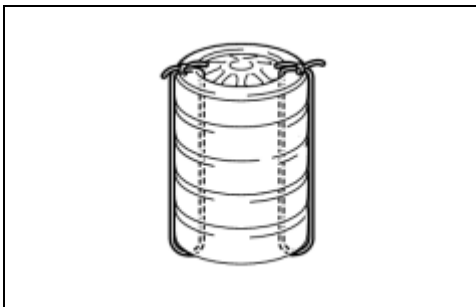


(1) Place at least 2 tires under the tire which the front passenger side knee airbag assembly is tied to.

(2) Place at least 2 tires over the tire which the front passenger side knee airbag assembly is tied to. The top tire should have the disc wheel installed.

NOTICE:

- The tire may be damaged by the airbag deployment, so use an extra tire.
- Do not place the SST connector under the tire because it could be damaged.



(3) Tie the tires together with 2 wire harnesses.

CAUTION:

Make sure that the wire harness is tight. Looseness in the wire harness results in the tires coming free due to the shock when the airbag is deployed.

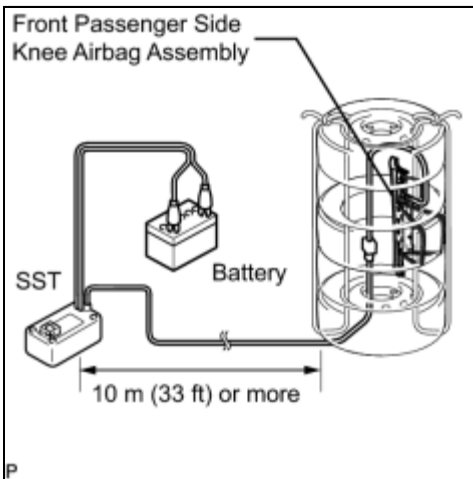
(f) Install the SST.

(1) Connect the SST connector.

SST: 09082-00700

NOTICE:

To avoid damaging the SST connector and wire harness, do not lock the



secondary lock of the twin lock. Also, secure some slack for the SST wire harness inside the tire.

(2) Move the SST at least 10 m (33 ft) away from the airbag tied down to the tire.

(g) Deploy the airbag.

(1) Connect the red clip of the SST to the battery positive (+) terminal and the black clip of the SST to the battery negative (-) terminal.

(2) Check that no one is within a 10 m (33 ft) radius of the tire which the front passenger side knee airbag assembly is tied to.

(3) Press the SST activation switch and deploy the airbag.

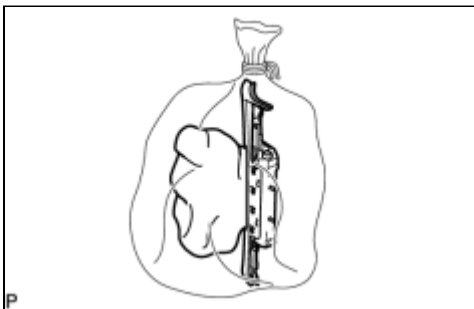
CAUTION:

When deploying the airbag, make sure that no one is near the tire.

HINT:

The airbag is deployed as the LED of the SST activation switch comes on.

(h) Dispose of the front passenger side knee airbag assembly.



CAUTION:

- The front passenger side knee airbag assembly becomes extremely hot when the airbag is deployed, so do not touch it for at least 30 minutes after deployment.
- Use gloves and safety glasses when handling a front passenger side knee airbag assembly with a deployed airbag.
- Do not apply water, etc. to a front passenger side knee airbag assembly with a deployed airbag.
- Always wash your hands with water after completing the operation.

(1) Remove the front passenger side knee airbag assembly from the tire.

(2) Place the front passenger side knee airbag assembly in a plastic bag, tie it tightly and dispose of it as other general part disposal.