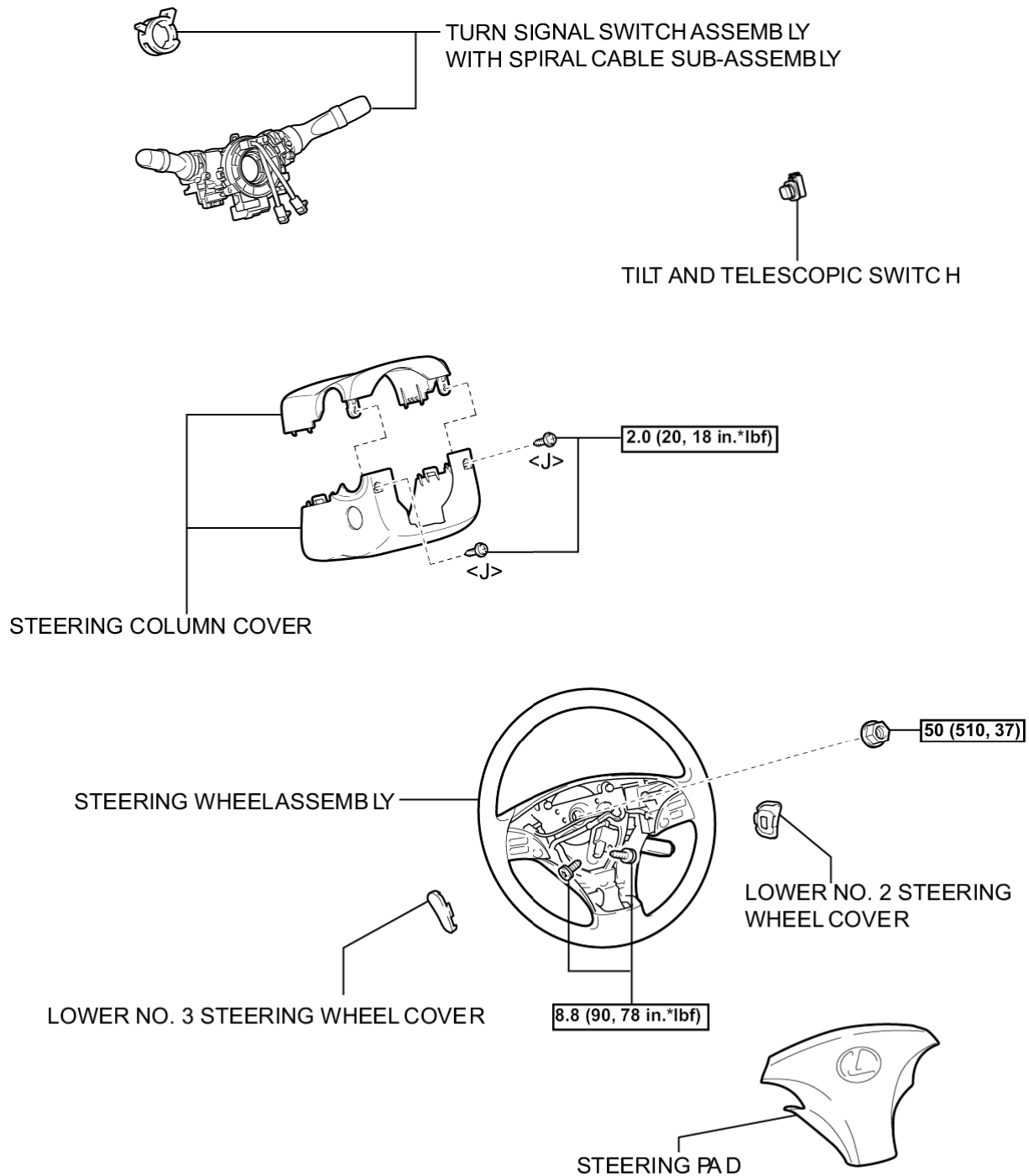


Last Modified: 7-13-2007		1.6 K
Service Category: Audio/Visual/Telematics	Section: Navigation/Multi Info Display	
Model Year: 2008	Model: ES350	Doc ID: RM000001PYY008X
Title: NAVIGATION: NAVIGATION ANTENNA: COMPONENTS (2008 ES350)		

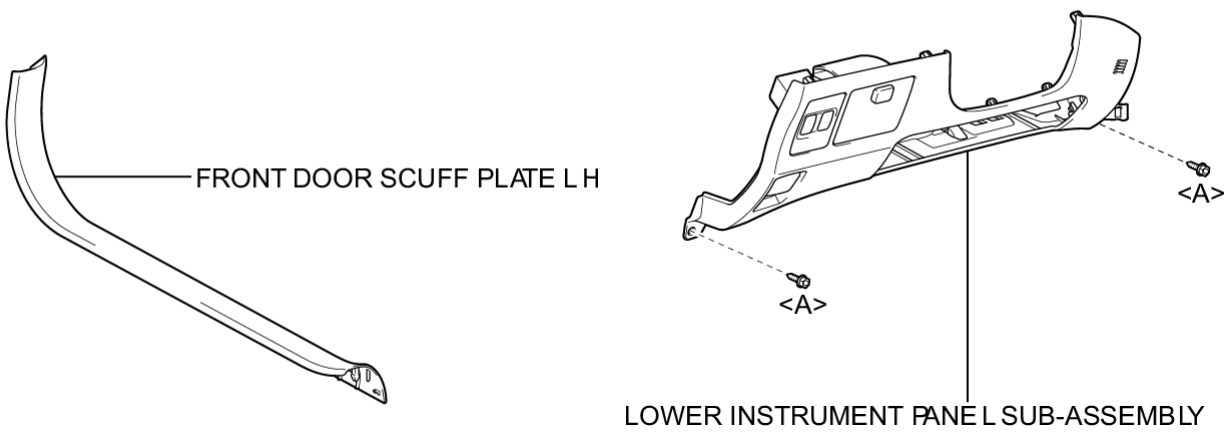
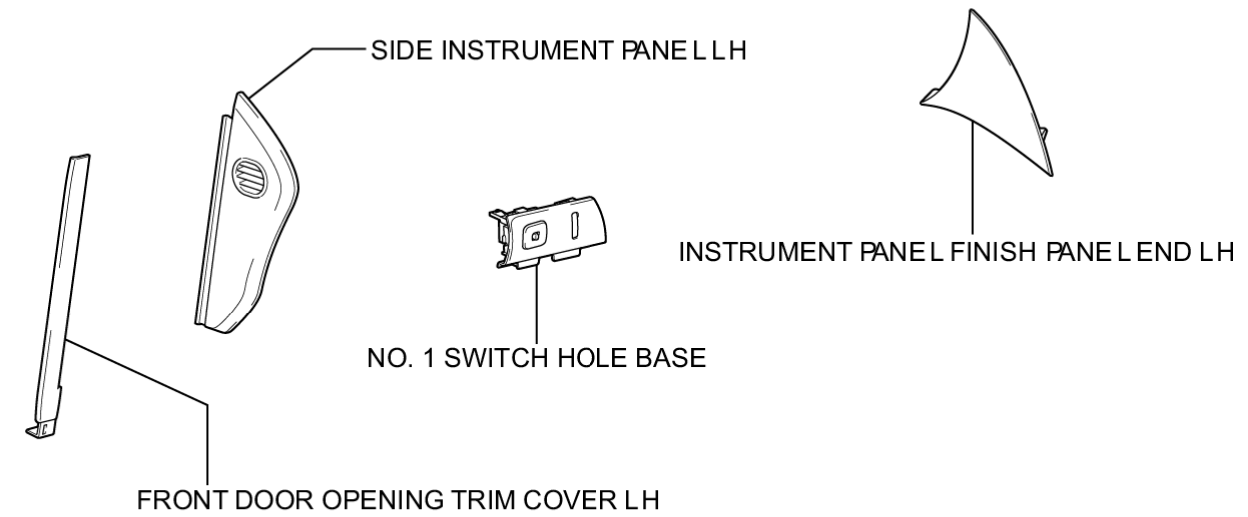
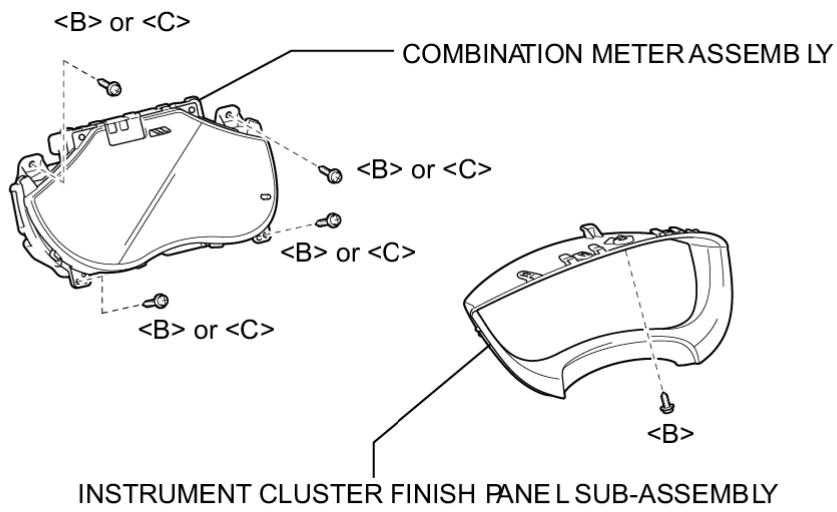
COMPONENTS

ILLUSTRATION

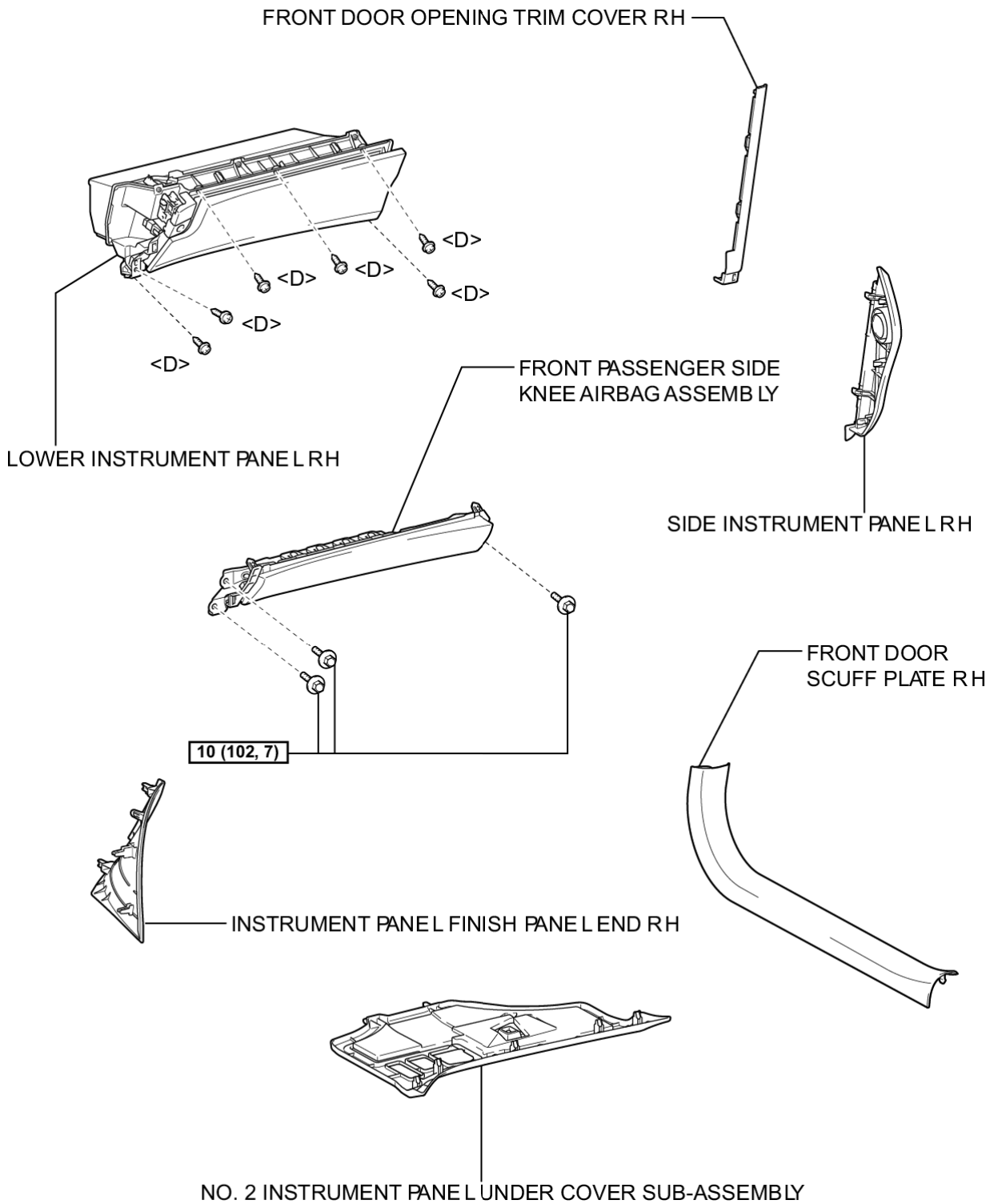


N*m (kgf*cm, ft.*lbf): Specified torque

ILLUSTRATION



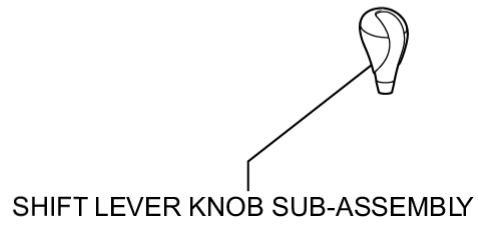
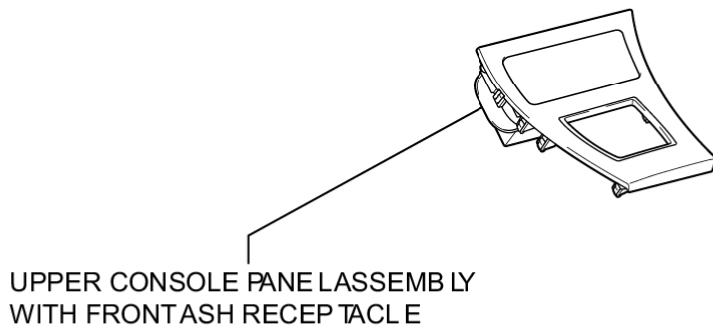
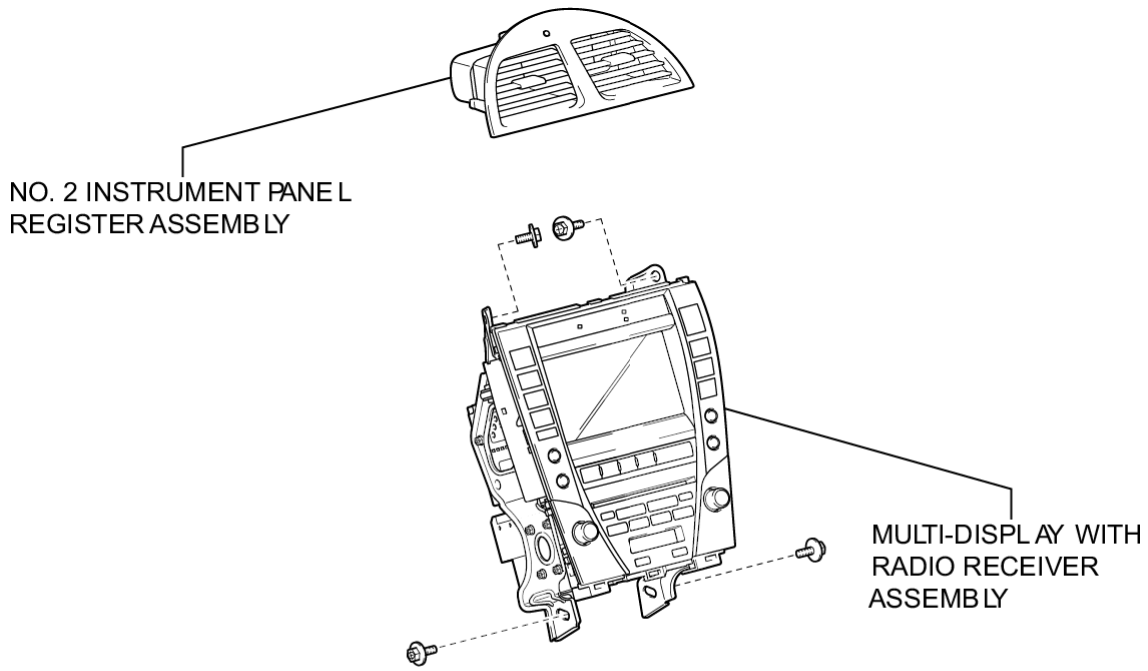
ILLUSTRATION



N*m (kgf*cm, ft.*lbf): Specified torque

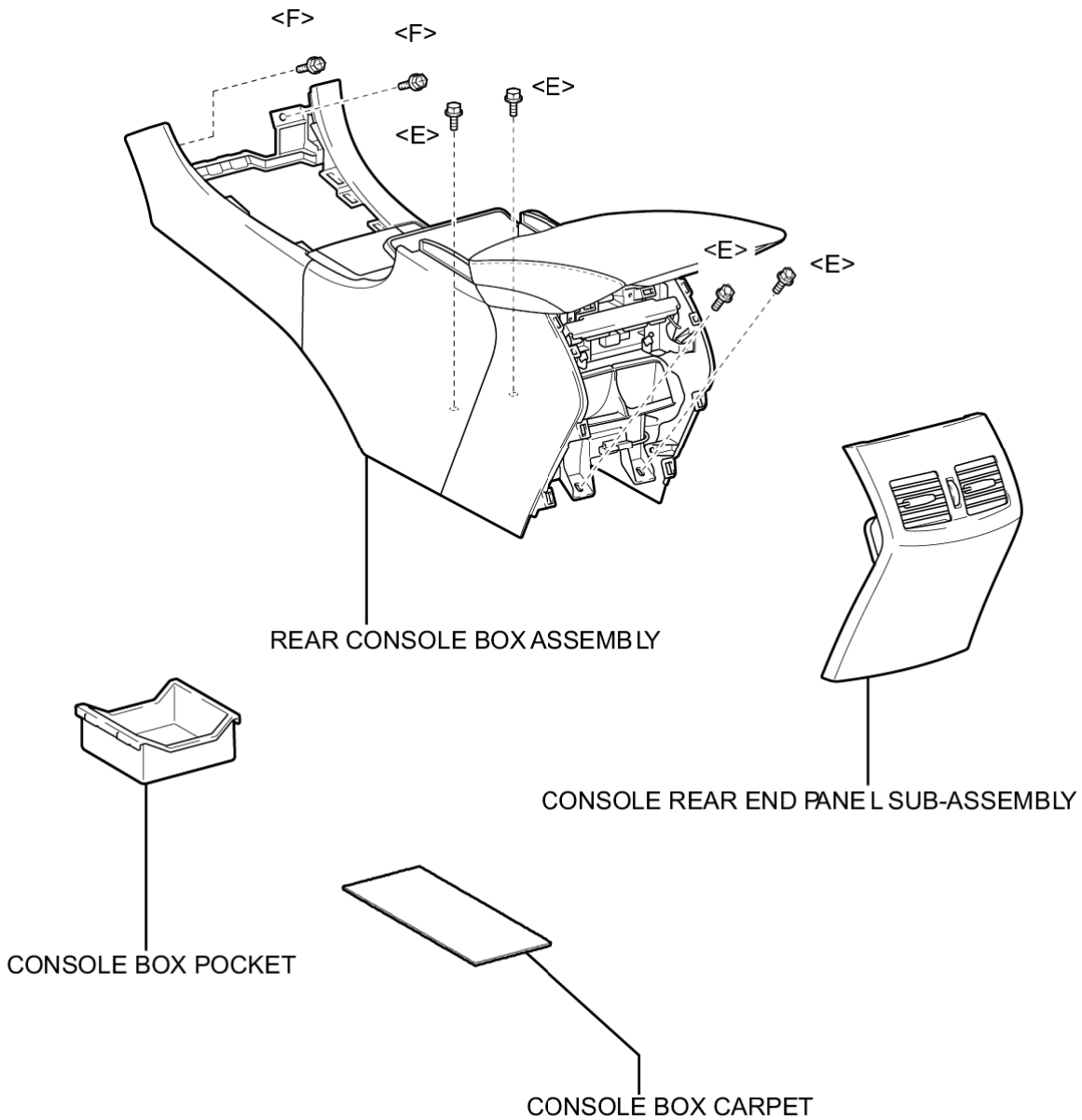
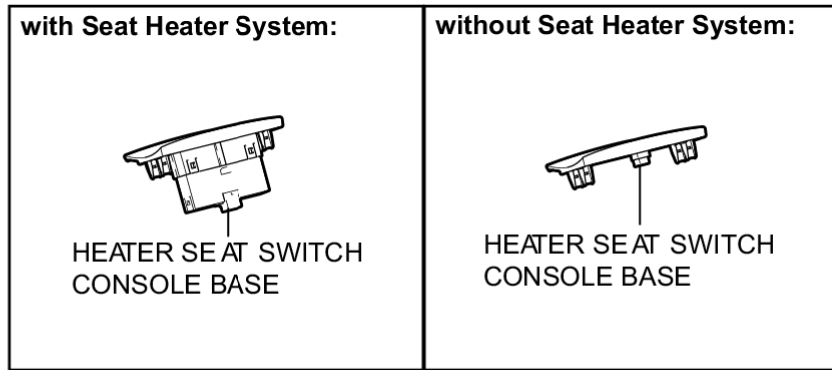
P

ILLUSTRATION



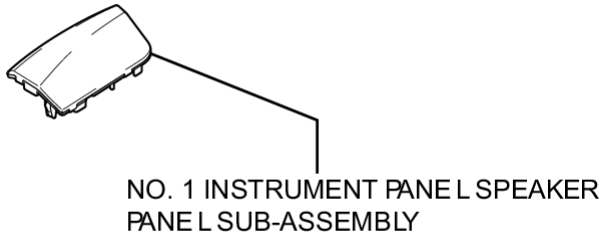
P

ILLUSTRATION

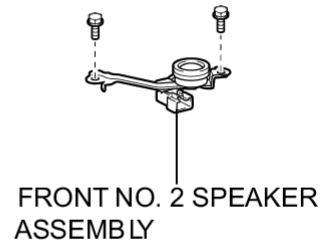
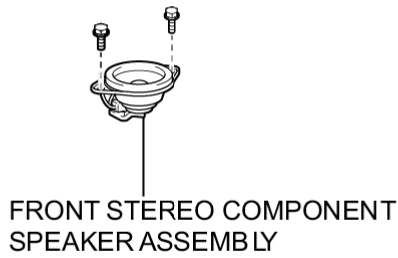


P

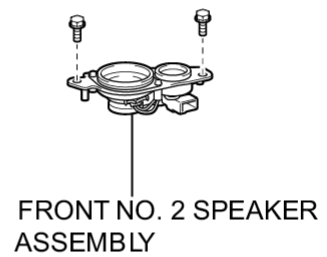
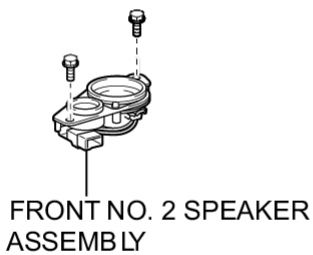
ILLUSTRATION

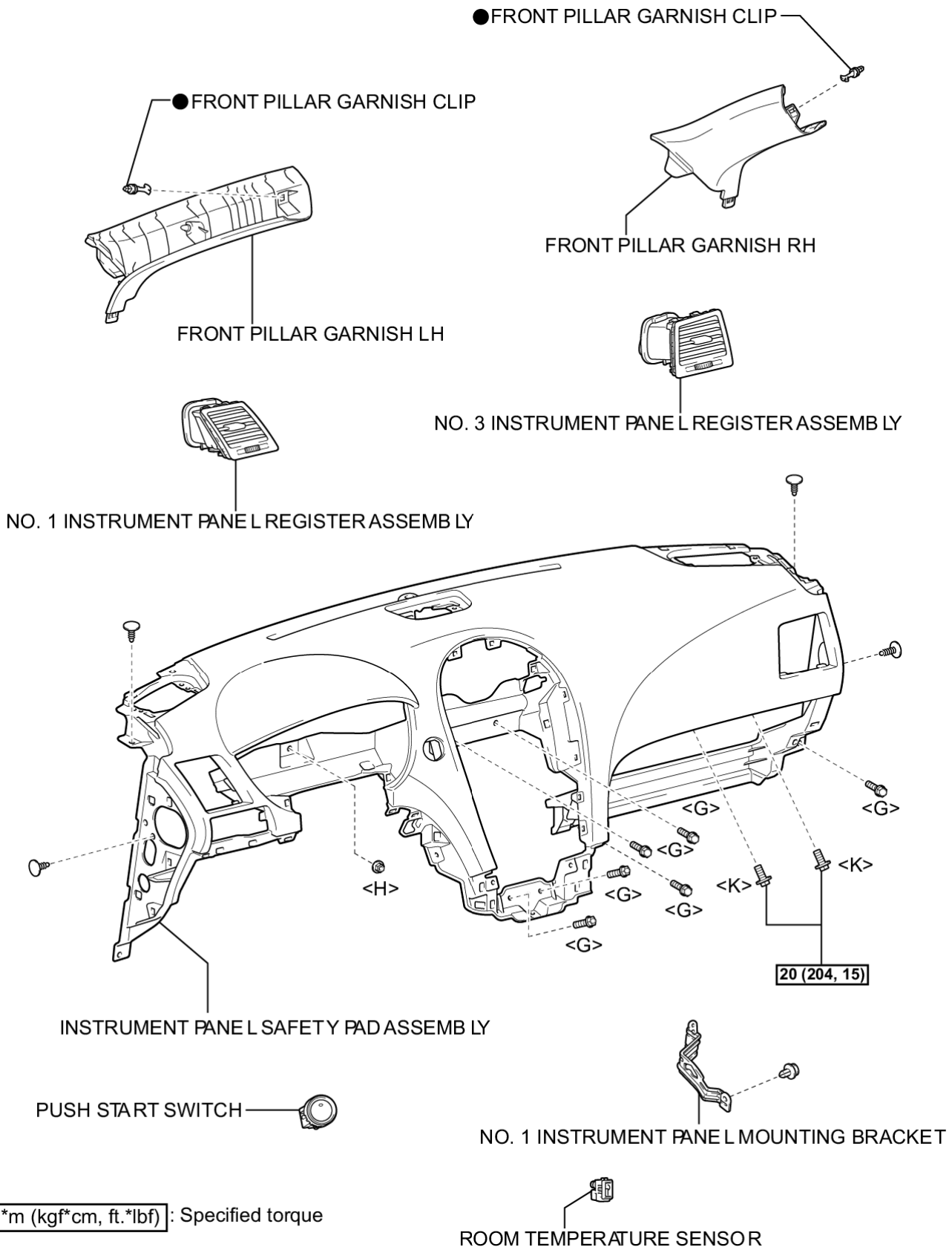


without Rear Header Speaker:



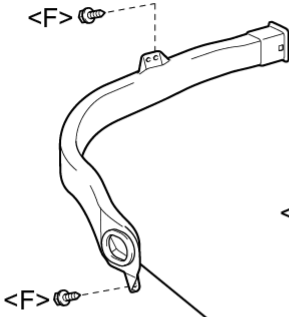
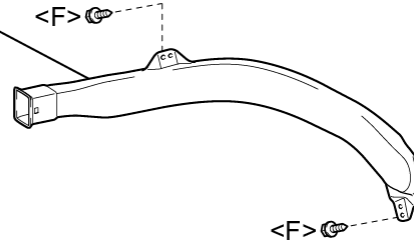
with Rear Header Speaker:



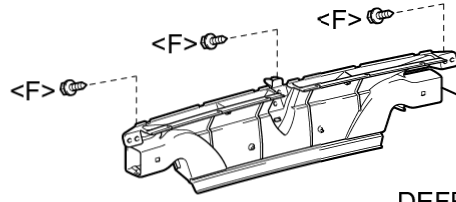


ILLUSTRATION

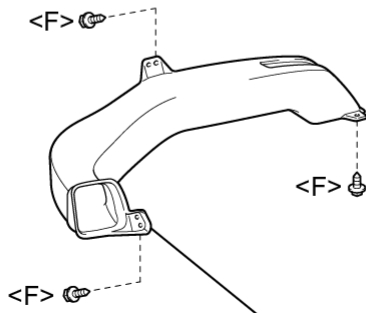
SIDE NO. 2 DEFROSTER NOZZLE DUCT



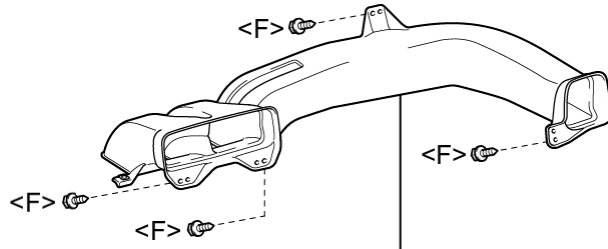
SIDE NO. 1 DEFROSTER NOZZLE DUCT



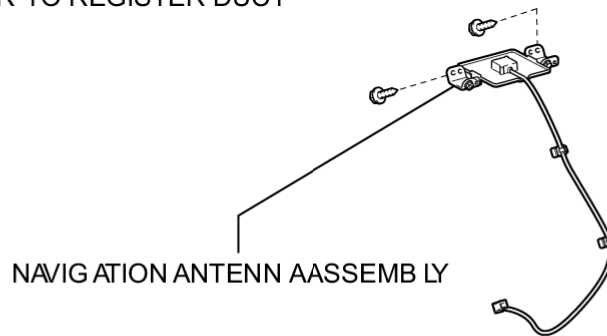
DEFROSTER NOZZLE ASSEMBLY



NO. 1 HEATER TO REGISTER DUCT



NO. 2 HEATER TO REGISTER DUCT



NAVIGATION ANTENN AASSEMBLY

