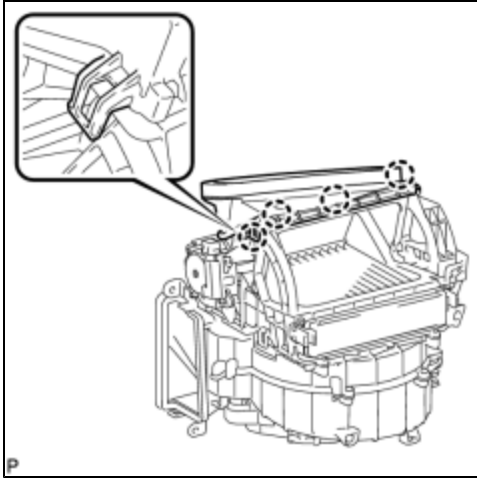


Last Modified: 7-13-2007		1.7 A
Service Category: Vehicle Interior	Section: Heating/Air Conditioning	
Model Year: 2008	Model: ES350	Doc ID: RM0000027DX00KX
Title: AIR CONDITIONING: BLOWER UNIT: DISASSEMBLY (2008 ES350)		

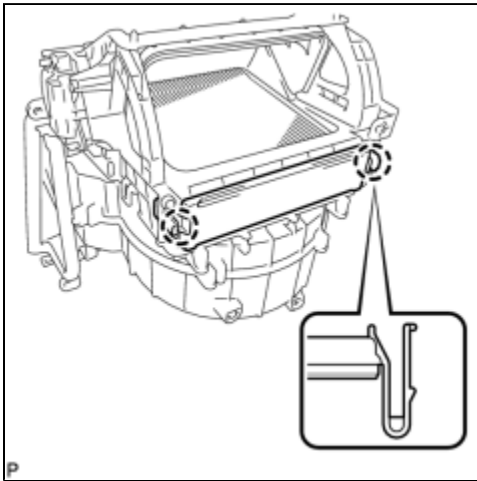
## DISASSEMBLY

### 1. REMOVE AIR DUCT SUB-ASSEMBLY



(a) Release the 4 claws and remove the air duct sub-assembly.

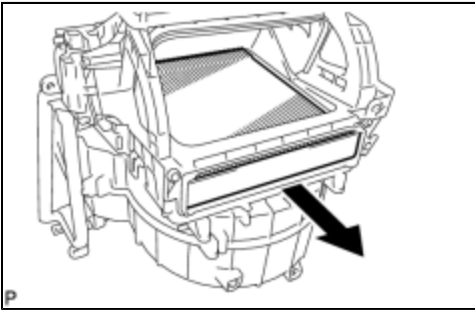
### 2. REMOVE AIR FILTER COVER PLATE



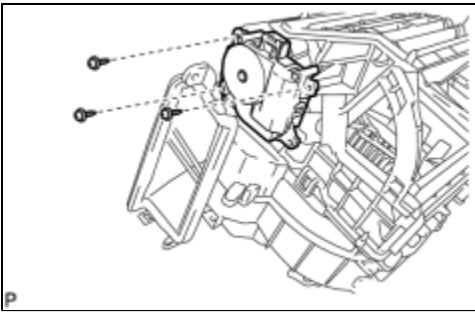
(a) Release the 2 claws and remove the air filter cover plate.

### 3. REMOVE CLEAN AIR FILTER

(a) Remove the clean air filter as shown in the illustration.

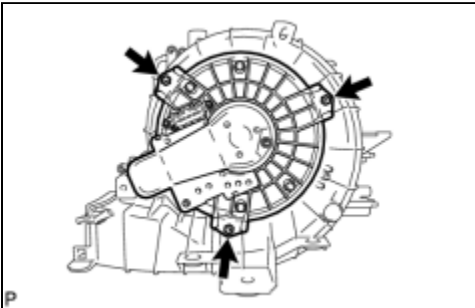


**4. REMOVE AIR INLET SERVO MOTOR**



(a) Remove the 3 screws and air inlet servo motor.

**5. REMOVE BLOWER WITH FAN MOTOR SUB-ASSEMBLY**



(a) Remove the 3 screws and blower with fan motor sub-assembly.