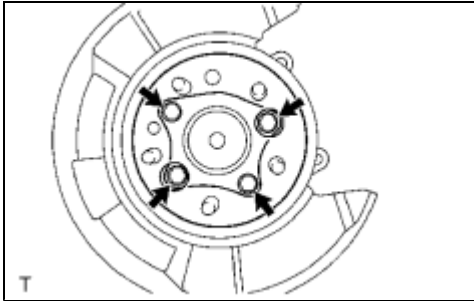


Last Modified: 7-13-2007		1.6 A
Service Category: Drivetrain	Section: Axle/Differential	
Model Year: 2008	Model: ES350	Doc ID: RM000001XJ001X
Title: AXLE: REAR AXLE HUB AND BEARING: INSTALLATION (2008 ES350)		

INSTALLATION

1. INSTALL REAR AXLE HUB AND BEARING ASSEMBLY



(a) Install the hub and bearing assembly with the 4 bolts.

Torque: 80 N·m (816 kgf·cm, 59 ft·lbf)

(b) Connect the skid control sensor connector.

NOTICE:

Do not twist the sensor wire when connecting it.

2. INSPECT REAR AXLE HUB BEARING LOOSENESS [INFO](#)

3. INSPECT REAR AXLE HUB RUNOUT [INFO](#)

4. INSTALL REAR DISC [INFO](#)

5. INSTALL REAR DISC BRAKE CALIPER ASSEMBLY [INFO](#)

6. CONNECT SKID CONTROL SENSOR CONNECTOR [INFO](#)

7. INSTALL REAR WHEEL

Torque: 103 N·m (1,050 kgf·cm, 76 ft·lbf)

8. CHECK ABS SPEED SENSOR SIGNAL

HINT:

