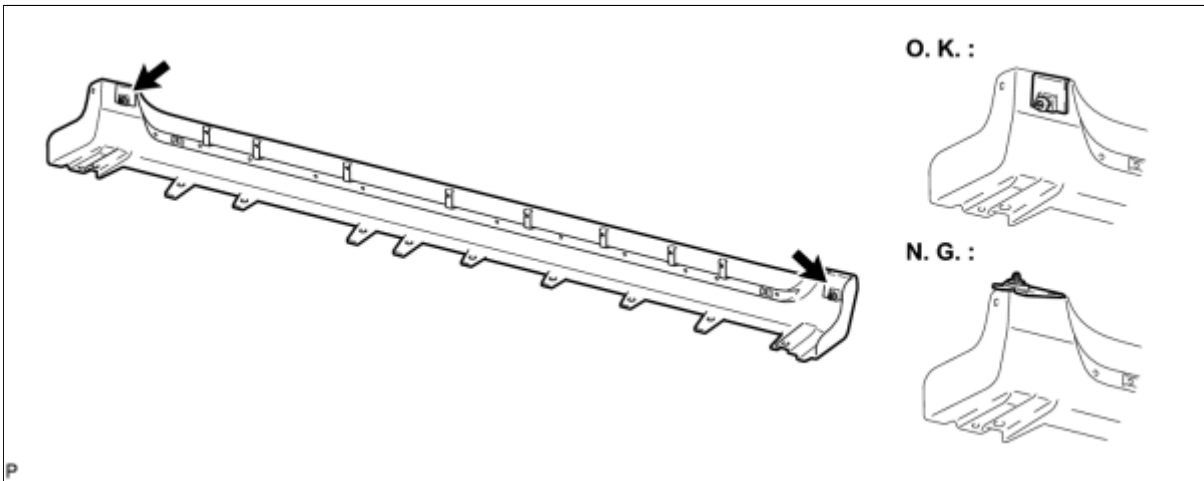


Last Modified: 7-13-2007		1.6 A
Service Category: Vehicle Exterior	Section: Exterior Panels/Trim	
Model Year: 2008	Model: ES350	Doc ID: RM000002D91002X
Title: EXTERIOR: ROCKER PANEL MOULDING: INSTALLATION (2008 ES350)		

INSTALLATION

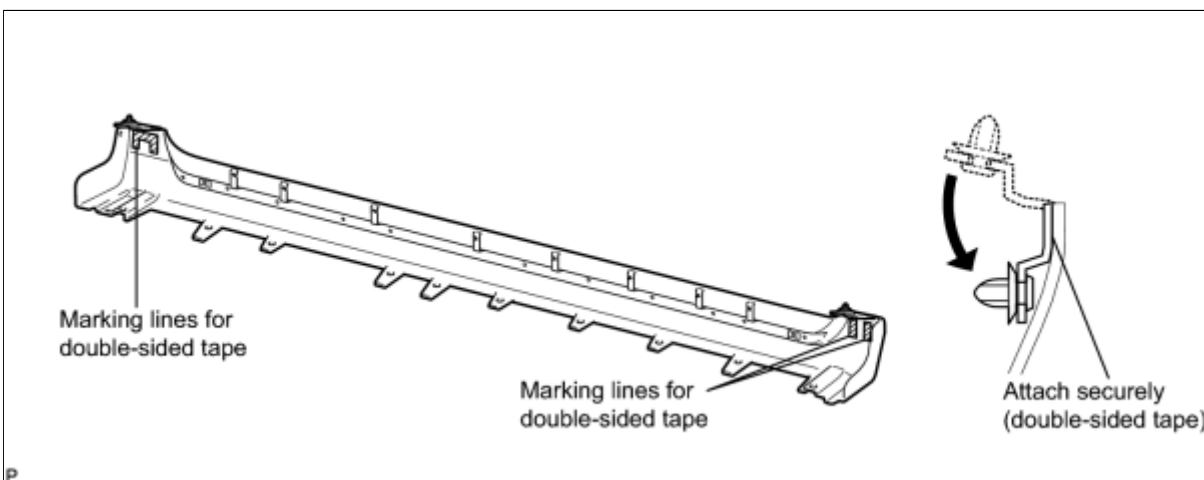
1. INSTALL ROCKER PANEL MOULDING

- (a) Check if the 2 clip installation portions are folded down and attached securely with the double-sided tape as shown in the illustration.



If any of the clip installation portions are not attached securely, replace the double-sided tape by following the procedures below:

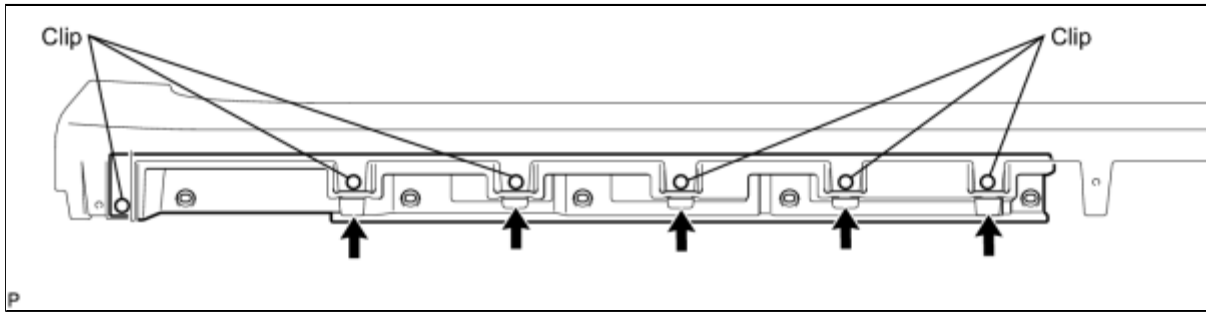
- (1) Remove the double-sided tape from the rocker panel moulding.



- (2) Wipe off any tape adhesive residue with cleaner.
 (3) Align new double-sided tape to the marking lines on the rocker panel moulding and attach it.
 (4) Fold down the clip installation portions and attach them securely.

2. INSTALL LOWER ROCKER PANEL MOULDING

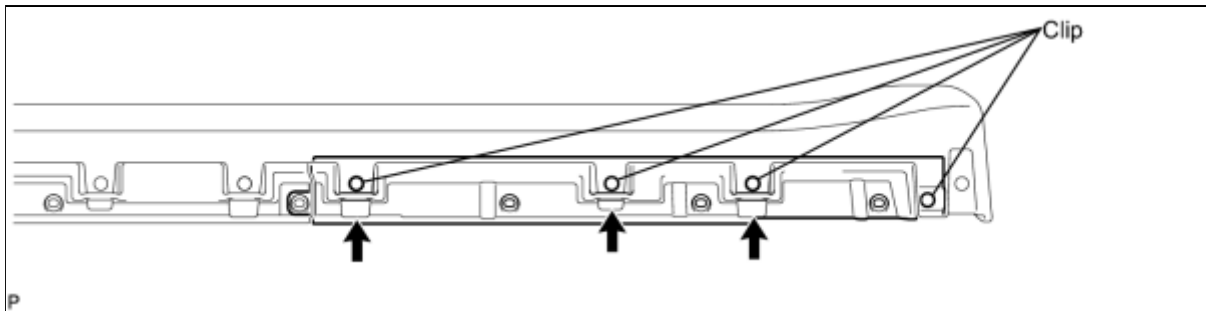
- (a) Engage the 5 guides and install the lower rocker panel moulding.



(b) Install the 6 clips.

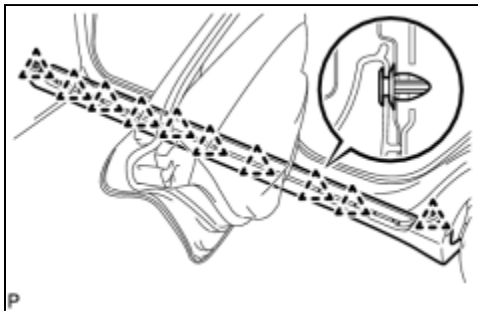
3. INSTALL REAR ROCKER PANEL MOULDING

(a) Engage the 3 guides and install the rear rocker panel moulding.

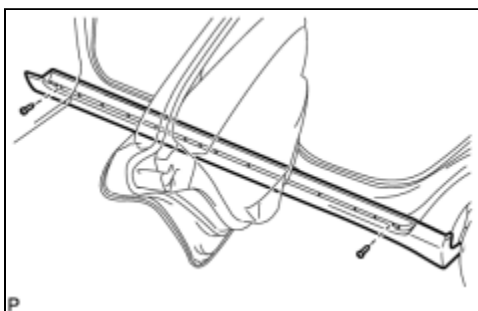


(b) Install the 4 clips.

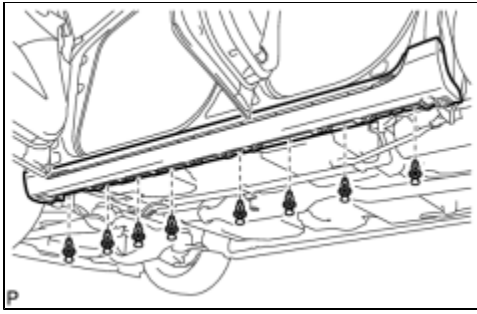
4. INSTALL ROCKER PANEL MOULDING SUB-ASSEMBLY



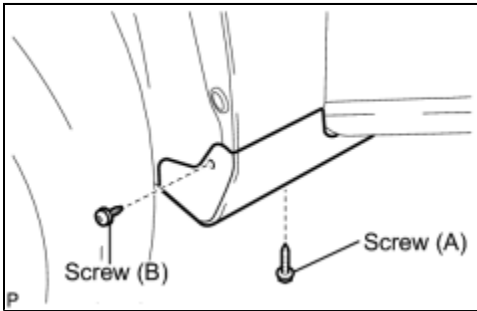
(a) Engage the 10 clips and install the rocker panel moulding sub-assembly.



(b) Install the 2 screws.

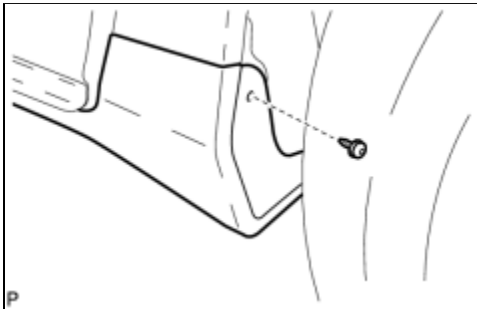


(c) Install the 8 clips.



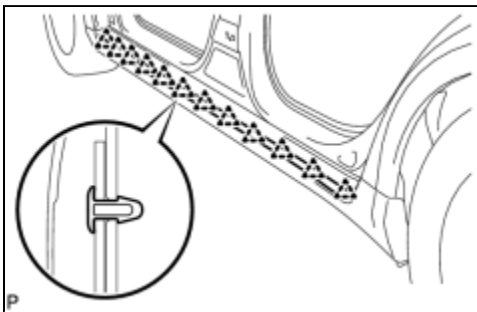
(d) Install the screw (A).

(e) Using a 4 mm hexagon wrench, install the screw (B).



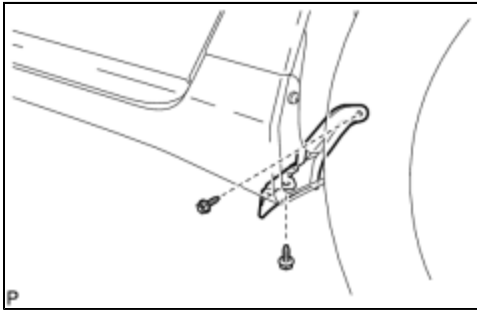
(f) Using a 4 mm hexagon wrench, install the screw.

5. INSTALL FRONT DOOR WEATHERSTRIP



(a) Engage the 12 claws and install the front door weatherstrip.

6. INSTALL ROCKER PANEL MOULDING PROTECTOR



(a) Install the rocker panel moulding protector with the 2 screws.

