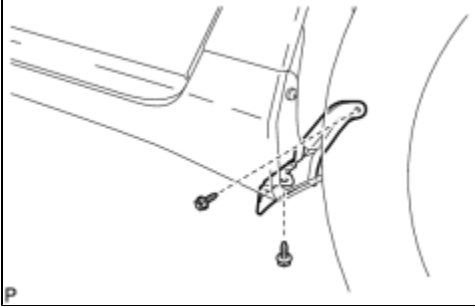


Last Modified: 7-13-2007		1.6 A
Service Category: Vehicle Exterior	Section: Exterior Panels/Trim	
Model Year: 2008	Model: ES350	Doc ID: RM000002D93002X
Title: EXTERIOR: ROCKER PANEL MOULDING: REMOVAL (2008 ES350)		

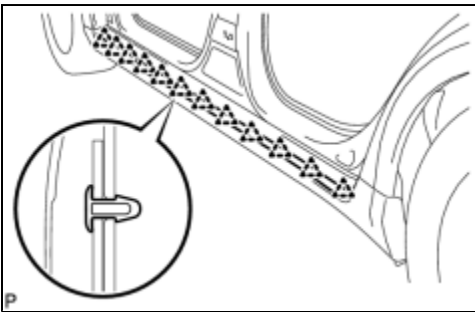
## REMOVAL

### 1. REMOVE ROCKER PANEL MOULDING PROTECTOR



(a) Remove the 2 screws and rocker panel moulding protector.

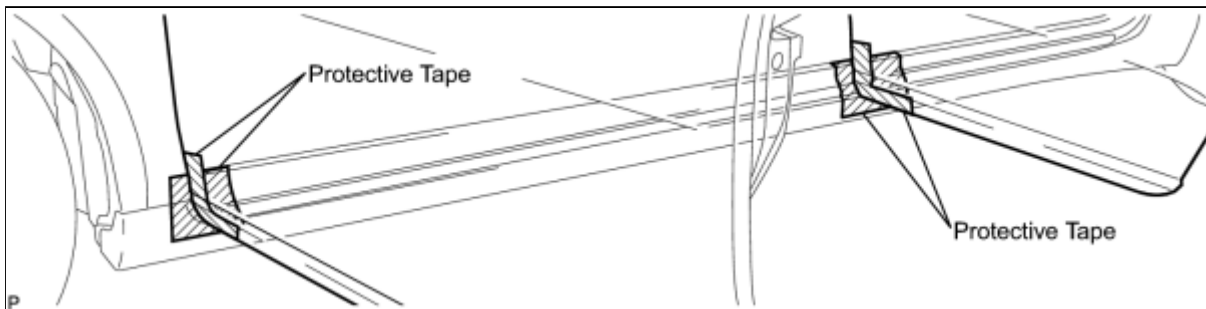
### 2. REMOVE FRONT DOOR WEATHERSTRIP

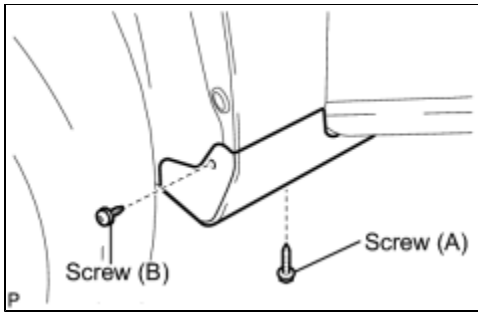


(a) Disengage the 12 claws and remove the front door weatherstrip.

### 3. REMOVE ROCKER PANEL MOULDING SUB-ASSEMBLY

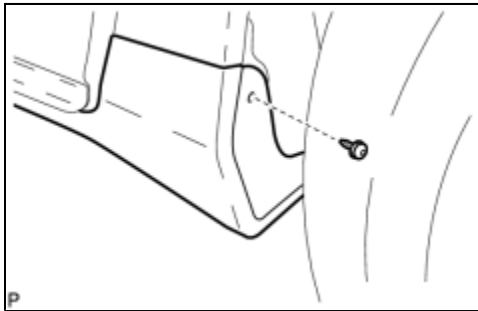
(a) Put protective tape around the rocker panel moulding.



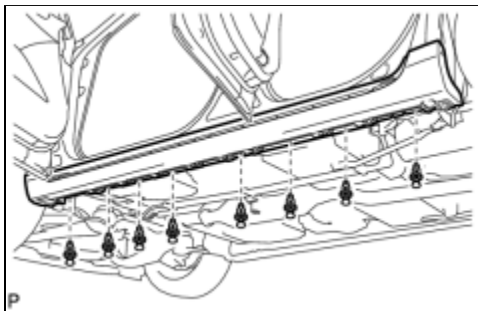


(b) Remove the screw (A).

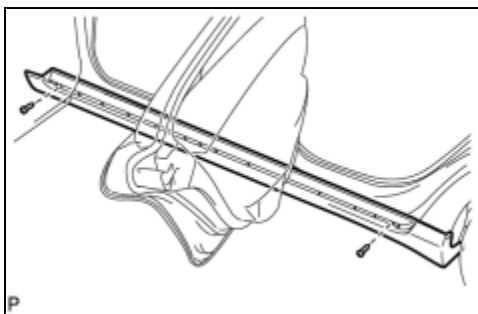
(c) Using a 4 mm hexagon wrench, remove the screw (B).



(d) Using a 4 mm hexagon wrench, remove the screw.

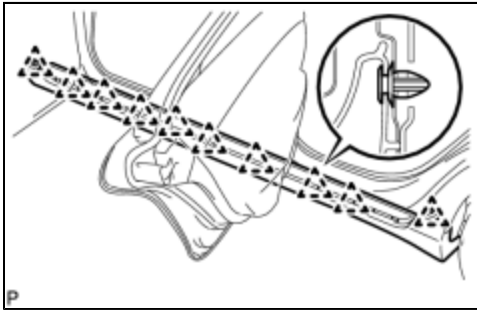


(e) Remove the 8 clips.



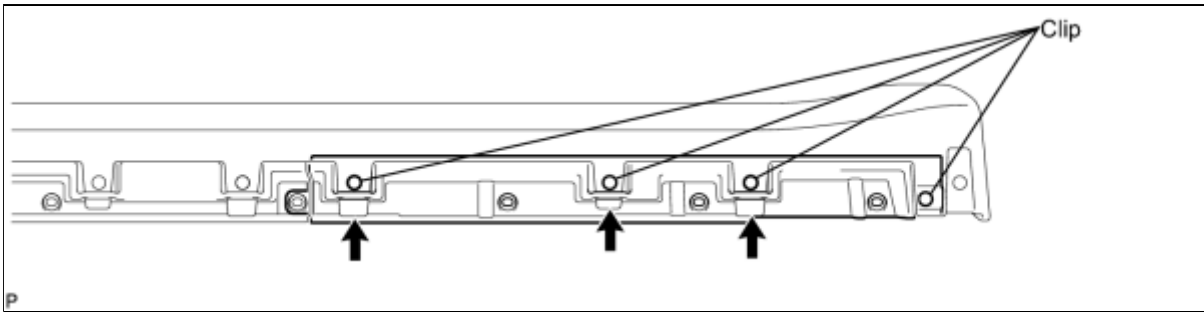
(f) Remove the 2 screws.

(g) Disengage the 10 clips and remove the rocker panel moulding sub-assembly.



#### 4. REMOVE REAR ROCKER PANEL MOULDING

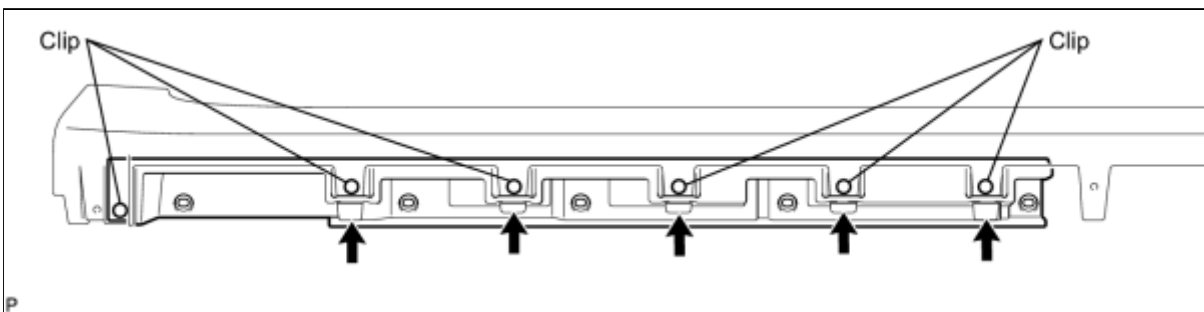
(a) Remove the 4 clips.



(b) Disengage the 3 guides and remove the rear rocker panel moulding.

#### 5. REMOVE LOWER ROCKER PANEL MOULDING

(a) Remove the 6 clips.



(b) Disengage the 5 guides and remove the lower rocker panel moulding.

#### 6. REMOVE ROCKER PANEL MOULDING

