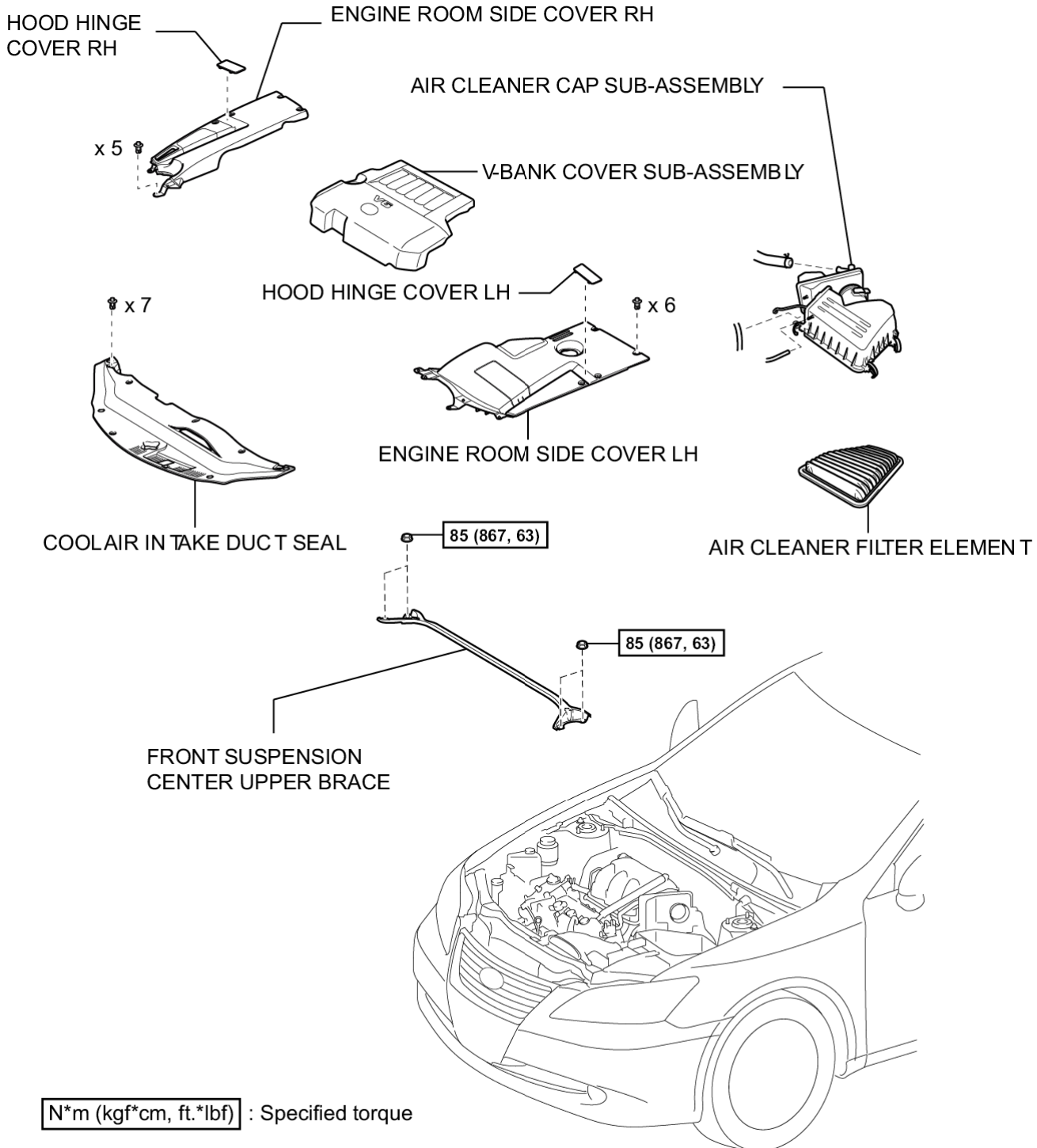


Last Modified: 7-13-2007		1.6 K
Service Category: Engine/Hybrid System	Section: Fuel System	
Model Year: 2008	Model: ES350	Doc ID: RM000001R500JX
Title: 2GR-FE FUEL: FUEL PRESSURE PULSATION DAMPER: COMPONENTS (2008 ES350)		

## COMPONENTS

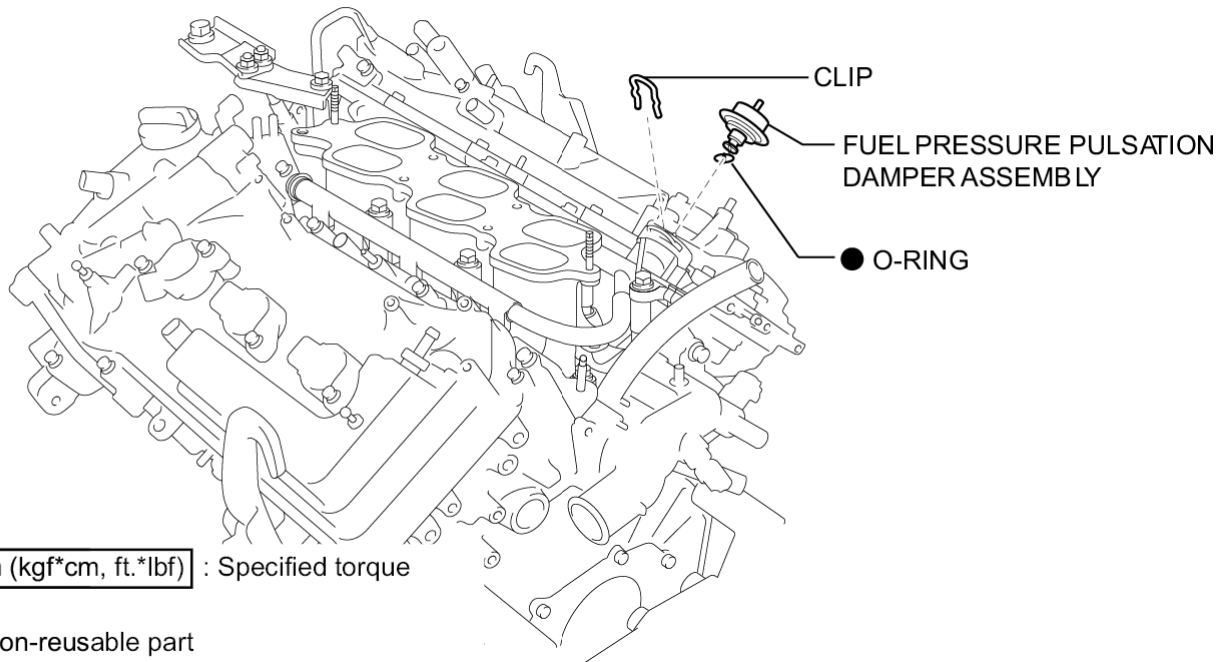
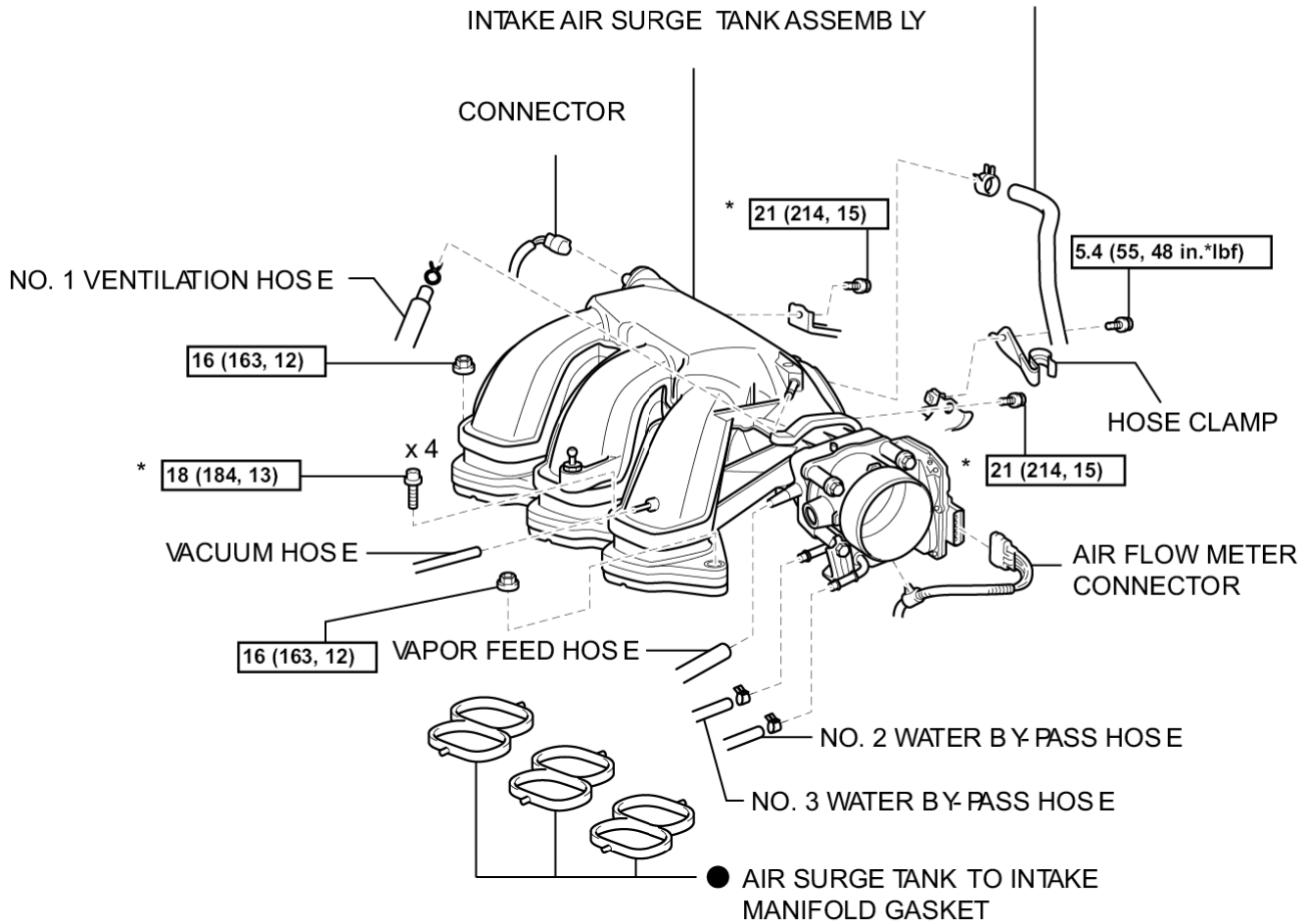
## ILLUSTRATION



**N\*m (kgf\*cm, ft.\*lbf)** : Specified torque

**ILLUSTRATION**

UNION TO CHECK VALVE HOSE



**N\*m (kgf\*cm, ft.\*lbf)** : Specified torque

● Non-reusable part

\* DO NOT apply oil

C

