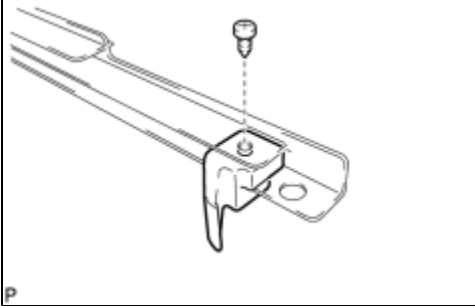


Last Modified: 7-13-2007		1.6 A
Service Category: Vehicle Exterior	Section: Sliding Roof/Convertible	
Model Year: 2008	Model: ES350	Doc ID: RM000001F2D00PX
Title: SLIDING ROOF: SLIDING ROOF HOUSING (for Glass Roof): DISASSEMBLY (2008 ES350)		

## DISASSEMBLY

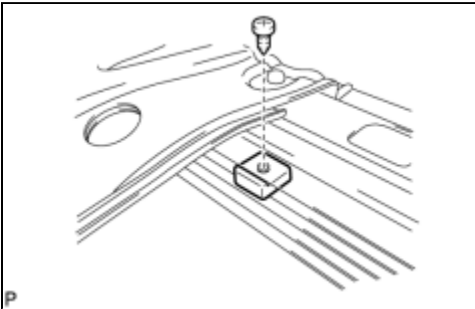
### 1. REMOVE NO. 3 SUNSHADE TRIM SUB-ASSEMBLY



(a) Remove the screw and rear sliding roof sunshade stopper LH.

**HINT:**

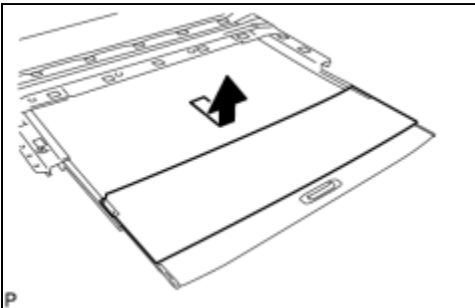
Use the same procedure for the RH side and the LH side.



(b) Remove the screw and front sliding roof sunshade stopper LH.

**HINT:**

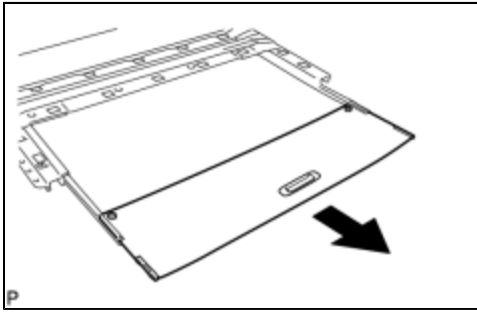
- Use the same procedures for the other 2 stoppers.
- Use the same procedure for the RH side and the LH side.



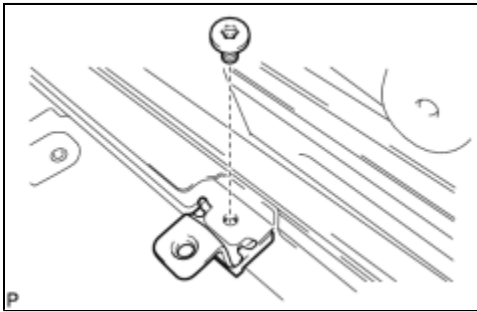
(c) Slide and remove the No. 3 sunshade trim sub-assembly.

### 2. REMOVE NO. 4 SUNSHADE TRIM SUB-ASSEMBLY

(a) Slide and remove the No. 4 sunshade trim sub-assembly.



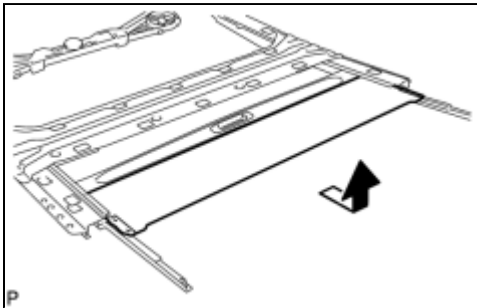
**3. REMOVE NO. 2 SUNSHADE TRIM SUB-ASSEMBLY**



(a) Using a T25 "TORX" driver, remove the screw and sliding roof plate LH.

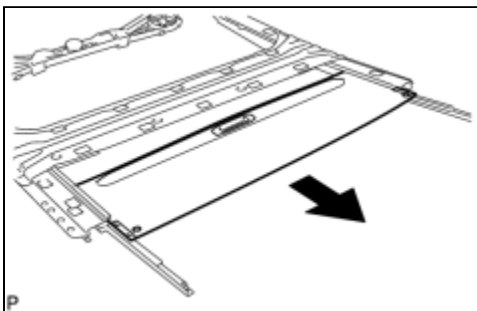
**HINT:**

Use the same procedure for the RH side and the LH side.



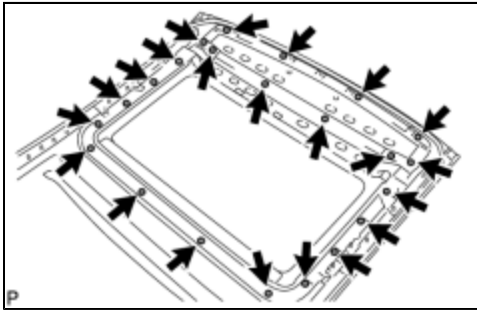
(b) Slide and remove the No. 2 sunshade trim sub-assembly.

**4. REMOVE NO. 1 SUNSHADE TRIM SUB-ASSEMBLY**



(a) Slide and remove the No. 1 sunshade trim sub-assembly.

**5. REMOVE NO. 3 SLIDING ROOF GLASS SUB-ASSEMBLY**



(a) Remove the 22 nuts and No. 3 sliding roof glass sub-assembly.

