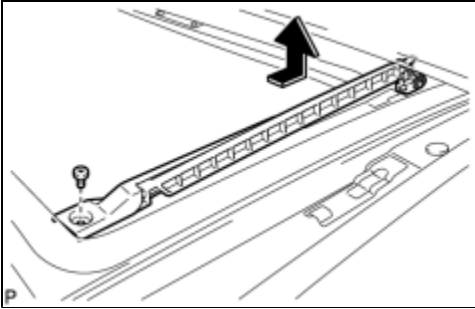


Last Modified: 7-13-2007		1.6 A
Service Category: Vehicle Exterior	Section: Sliding Roof/Convertible	
Model Year: 2008	Model: ES350	Doc ID: RM000001F2C00QX
Title: SLIDING ROOF: SLIDING ROOF HOUSING (for Glass Roof): REMOVAL (2008 ES350)		

REMOVAL

1. REMOVE SLIDING ROOF SIDE GARNISH LH



(a) Fully open the No. 2 sliding roof glass sub-assembly.

(b) Using a T25 "TORX" driver, remove the screw and sliding roof side garnish LH as shown in the illustration.

2. REMOVE SLIDING ROOF SIDE GARNISH RH

HINT:

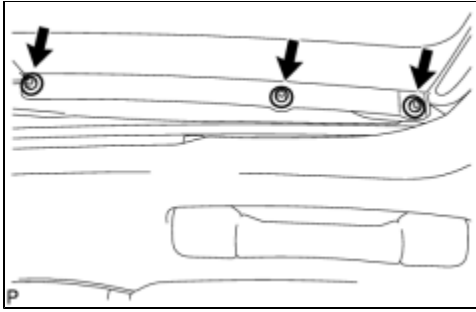
Use the same procedure for the RH side and the LH side.

3. REMOVE NO. 1 SLIDING ROOF GLASS SUB-ASSEMBLY



(a) Using a T20 "TORX" socket wrench, remove the 6 screws and No. 1 sliding roof glass sub-assembly.

4. REMOVE NO. 2 SLIDING ROOF GLASS SUB-ASSEMBLY



(a) Fully close the No. 2 sliding roof glass sub-assembly.

(b) Using a T25 "TORX" driver, remove the 3 screws.

HINT:

Use the same procedure for the RH side and the LH side.

(c) Remove the No. 2 sliding roof glass sub-assembly.

5. REMOVE REAR SEAT CUSHION ASSEMBLY

INFO

6. REMOVE REAR SEAT HEADREST ASSEMBLY

7. REMOVE REAR CENTER SEAT HEADREST ASSEMBLY

8. REMOVE REAR SEATBACK ASSEMBLY

INFO

9. REMOVE SEAT BELT ANCHOR COVER CAP LH

INFO

10. DISCONNECT FRONT SEAT OUTER BELT ASSEMBLY LH

INFO

11. REMOVE FRONT SEAT HEADREST ASSEMBLY (for Driver Seat)

12. REMOVE FRONT SEAT OUTER TRACK BRACKET COVER LH

INFO

13. REMOVE FRONT SEAT INNER TRACK BRACKET COVER LH

INFO

14. REMOVE FRONT SEAT REAR OUTER TRACK BRACKET COVER LH

INFO

15. REMOVE FRONT SEAT REAR INNER TRACK BRACKET COVER LH

INFO

16. REMOVE FRONT SEAT ASSEMBLY LH

INFO

17. REMOVE SEAT BELT ANCHOR COVER CAP RH

INFO

18. DISCONNECT FRONT SEAT OUTER BELT ASSEMBLY RH

INFO

19. REMOVE FRONT SEAT HEADREST ASSEMBLY (for Front Passenger Seat)

20. REMOVE FRONT SEAT OUTER TRACK BRACKET COVER RH

INFO

21. REMOVE FRONT SEAT INNER TRACK BRACKET COVER RH [INFO](#)
22. REMOVE FRONT SEAT REAR OUTER TRACK BRACKET COVER RH [INFO](#)
23. REMOVE FRONT SEAT REAR INNER TRACK BRACKET COVER RH [INFO](#)
24. REMOVE FRONT SEAT ASSEMBLY RH [INFO](#)
25. REMOVE FRONT DOOR SCUFF PLATE LH [INFO](#)
26. REMOVE FRONT DOOR OPENING TRIM COVER LH [INFO](#)
27. REMOVE SIDE INSTRUMENT PANEL LH [INFO](#)
28. REMOVE FRONT PILLAR GARNISH LH [INFO](#)
29. REMOVE REAR DOOR SCUFF PLATE LH [INFO](#)
30. REMOVE LOWER CENTER PILLAR GARNISH LH [INFO](#)
31. REMOVE UPPER CENTER PILLAR GARNISH LH [INFO](#)
32. REMOVE REAR SEAT SIDE GARNISH LH (w/o Rear Seat Side Airbag) [INFO](#)
33. REMOVE REAR SEAT SIDE AIRBAG ASSEMBLY LH (w/ Rear Seat Side Airbag) [INFO](#)
34. REMOVE ROOF SIDE INNER GARNISH ASSEMBLY LH [INFO](#)
35. REMOVE FRONT DOOR SCUFF PLATE RH [INFO](#)
36. REMOVE FRONT DOOR OPENING TRIM COVER RH [INFO](#)
37. REMOVE SIDE INSTRUMENT PANEL RH [INFO](#)
38. REMOVE FRONT PILLAR GARNISH RH [INFO](#)
39. REMOVE REAR DOOR SCUFF PLATE RH [INFO](#)
40. REMOVE LOWER CENTER PILLAR GARNISH RH [INFO](#)
41. REMOVE UPPER CENTER PILLAR GARNISH RH [INFO](#)
42. REMOVE REAR SEAT SIDE GARNISH RH (w/o Rear Seat Side Airbag) [INFO](#)
43. REMOVE REAR SEAT SIDE AIRBAG ASSEMBLY RH (w/ Rear Seat Side Airbag) [INFO](#)
44. REMOVE ROOF SIDE INNER GARNISH ASSEMBLY RH [INFO](#)

45. REMOVE INSTRUMENT PANEL FINISH PANEL END LH [INFO](#)
46. REMOVE INSTRUMENT PANEL FINISH PANEL END RH [INFO](#)
47. REMOVE SHIFT LEVER KNOB SUB-ASSEMBLY [INFO](#)
48. REMOVE UPPER CONSOLE PANEL ASSEMBLY WITH FRONT ASH RECEPTACLE [INFO](#)
49. REMOVE HEATER SEAT SWITCH CONSOLE BASE (w/o Seat Heater System) [INFO](#)
50. REMOVE HEATER SEAT SWITCH CONSOLE BASE (w/ Seat Heater System) [INFO](#)
51. REMOVE CONSOLE BOX POCKET [INFO](#)
52. REMOVE CONSOLE BOX CARPET [INFO](#)
53. REMOVE CONSOLE REAR END PANEL SUB-ASSEMBLY [INFO](#)
54. REMOVE REAR CONSOLE BOX ASSEMBLY [INFO](#)
55. REMOVE NO. 2 CONSOLE BOX DUCT [INFO](#)
56. REMOVE NO. 3 CONSOLE BOX DUCT [INFO](#)
57. DISCONNECT TRANSMISSION CONTROL CABLE ASSEMBLY [INFO](#)
58. REMOVE SHIFT LEVER ASSEMBLY [INFO](#)
59. REMOVE FLOOR CARPET BRACKET LH [INFO](#)
60. REMOVE FLOOR CARPET BRACKET RH [INFO](#)
61. REMOVE LUGGAGE COMPARTMENT FLOOR MAT (w/ DVD Player)
62. REMOVE SPARE WHEEL COVER TRAY (w/ DVD Player)
63. REMOVE LUGGAGE HOLD BELT STRIKER ASSEMBLY (w/ DVD Player) [INFO](#)
64. REMOVE NO. 1 LUGGAGE COMPARTMENT TRIM HOOK (w/ DVD Player) [INFO](#)
65. REMOVE REAR FLOOR FINISH PLATE (w/ DVD Player) [INFO](#)
66. REMOVE LUGGAGE COMPARTMENT INNER TRIM COVER RH (w/ DVD Player) [INFO](#)
67. DISCONNECT STEREO COMPONENT AMPLIFIER ASSEMBLY CONNECTOR (w/ DVD Player) [INFO](#)
68. REMOVE INNER REAR VIEW MIRROR STAY HOLDER COVER [INFO](#)
69. REMOVE RAIN SENSOR COVER [INFO](#)

70. REMOVE ROOF CONSOLE BOX ASSEMBLY [INFO](#)

71. REMOVE VISOR BRACKET COVER [INFO](#)

72. REMOVE VISOR ASSEMBLY LH [INFO](#)

73. REMOVE VISOR ASSEMBLY RH [INFO](#)

74. REMOVE VISOR HOLDER [INFO](#)

75. REMOVE COAT HOOK [INFO](#)

76. REMOVE SPOT LIGHT ASSEMBLY [INFO](#)

77. REMOVE ASSIST GRIP SUB-ASSEMBLY [INFO](#)

78. REMOVE ROOF HEADLINING ASSEMBLY [INFO](#)

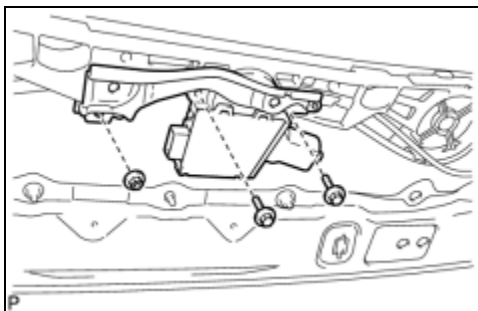
79. REMOVE CURTAIN SHIELD AIRBAG ASSEMBLY LH [INFO](#)

80. REMOVE CURTAIN SHIELD AIRBAG ASSEMBLY RH

HINT:

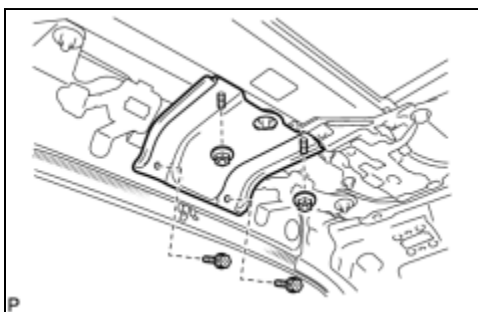
Use the same procedure for the RH side and the LH side.

81. REMOVE SLIDING ROOF DRIVE GEAR SUB-ASSEMBLY



(a) Remove the 2 bolts, nut, sliding roof drive gear sub-assembly, and room light bracket.

82. REMOVE FRONT SLIDING ROOF HOUSING MOUNTING BRACKET LH



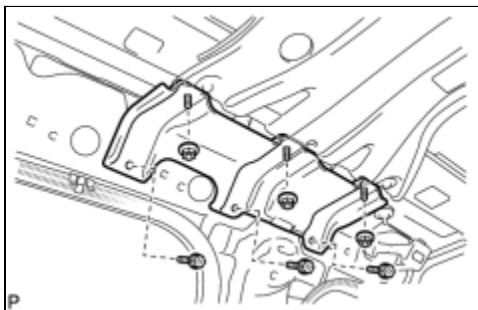
(a) Remove the 2 bolts, 2 nuts, and front sliding roof housing mounting bracket LH.

83. REMOVE FRONT SLIDING ROOF HOUSING MOUNTING BRACKET RH

HINT:

Use the same procedure for the RH side and the LH side.

84. REMOVE CENTER SLIDING ROOF HOUSING MOUNTING BRACKET LH



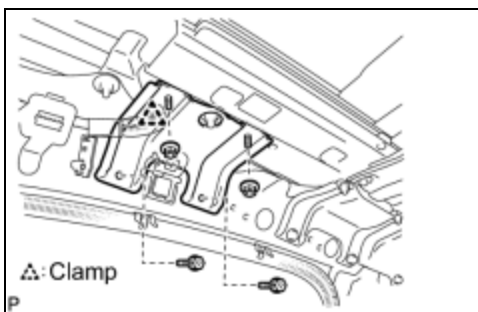
(a) Remove the 3 bolts, 3 nuts, and center sliding roof housing mounting bracket LH.

85. REMOVE CENTER SLIDING ROOF HOUSING MOUNTING BRACKET RH

HINT:

Use the same procedure for the RH side and the LH side.

86. REMOVE REAR SLIDING ROOF HOUSING MOUNTING BRACKET LH



(a) Disengage the clamp.

(b) Remove the 2 bolts, 2 nuts, and rear sliding roof housing mounting bracket LH.

87. REMOVE REAR SLIDING ROOF HOUSING MOUNTING BRACKET RH

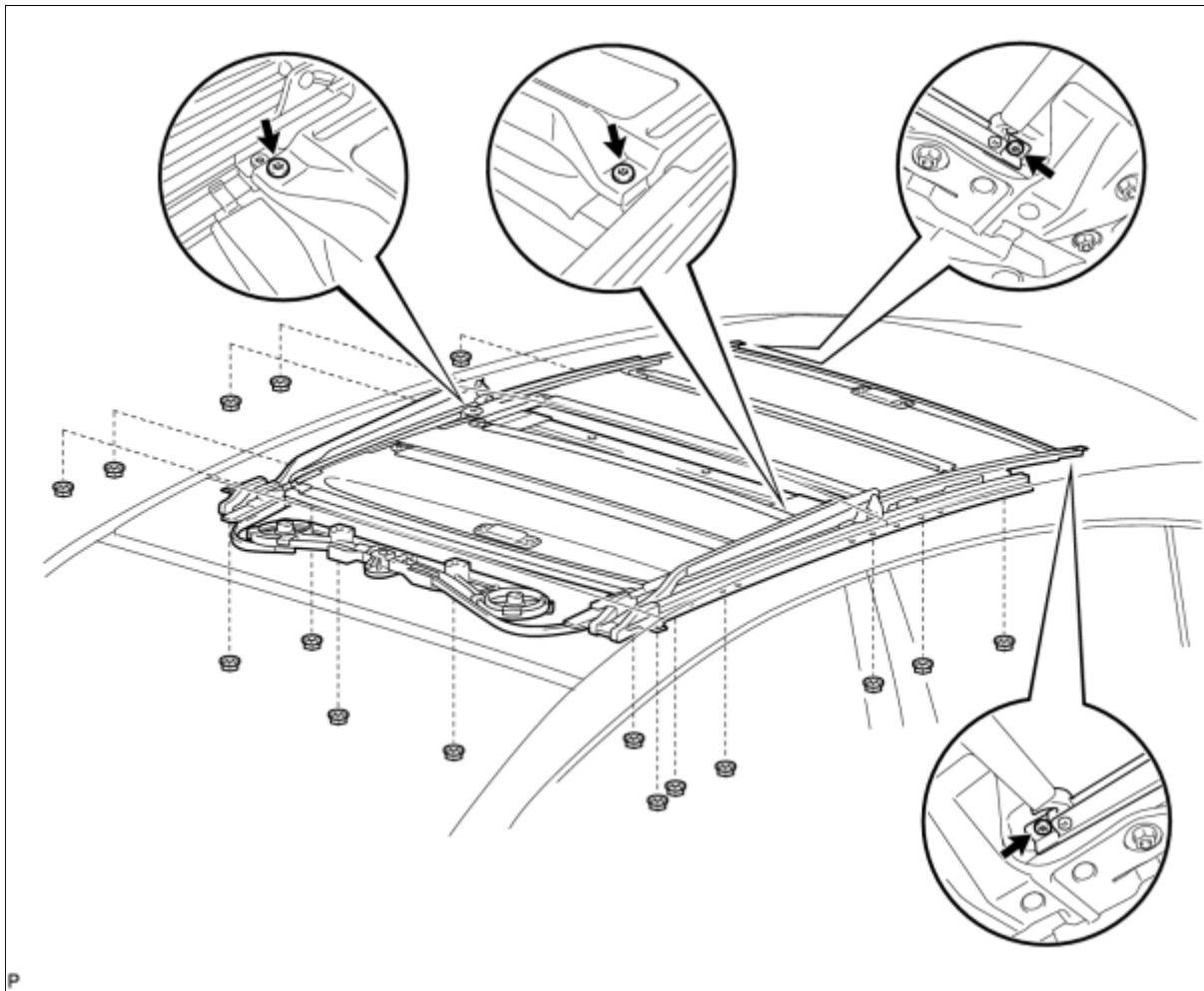
HINT:

Use the same procedure for the RH side and the LH side.

88. REMOVE SLIDING ROOF HOUSING ASSEMBLY

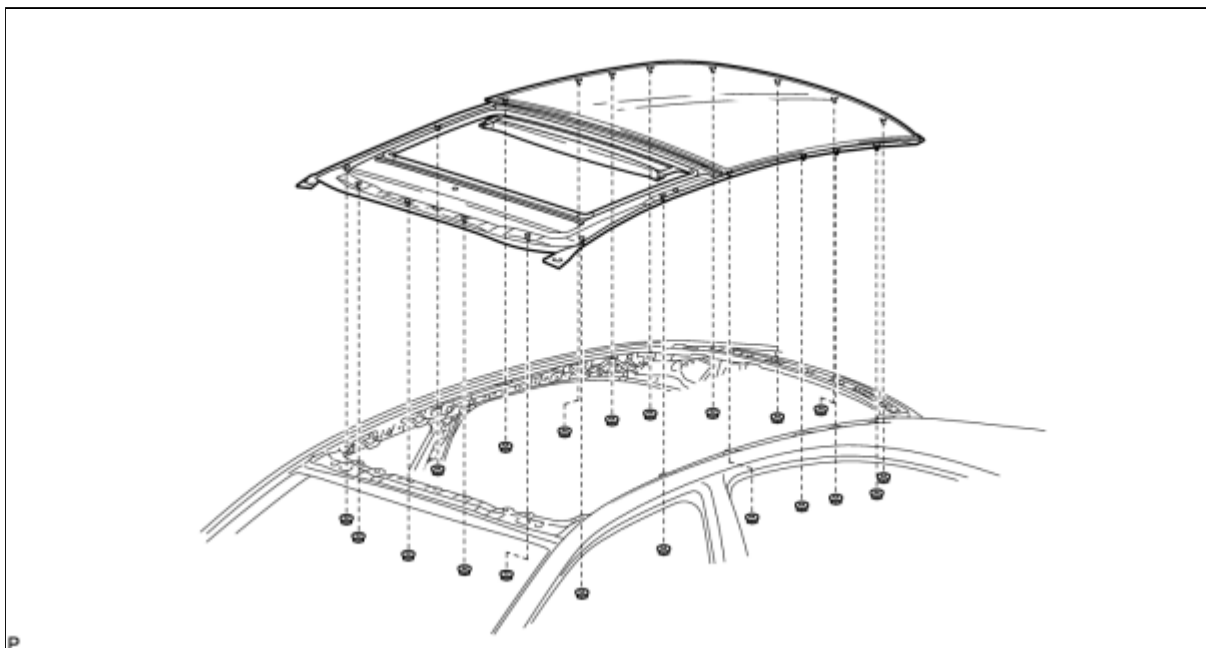
(a) Using a T25 "TORX" driver, remove the 4 screws.

(b) Remove the 16 nuts and sliding roof housing assembly.



89. REMOVE SLIDING ROOF HOUSING PANEL

(a) Remove the 20 nuts and sliding roof housing panel.



NOTICE:

- When removing the panel, be careful not to damage the vehicle.

- Perform this step with 2 or more technicians.

