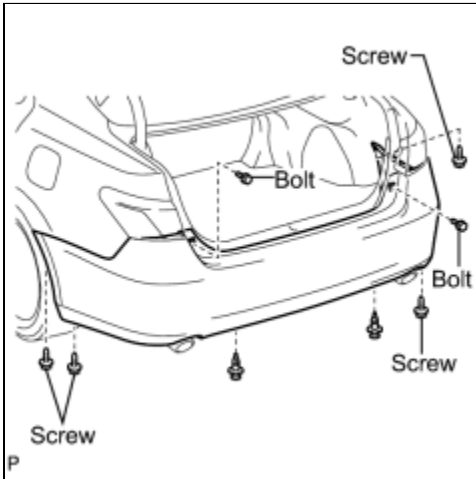


|  |                                      |                                |
|--|--------------------------------------|--------------------------------|
| <b>Last Modified:</b> 7-13-2007                                |                                      | 1.6 A                          |
| <b>Service Category:</b> Vehicle Exterior                      | <b>Section:</b> Exterior Panels/Trim |                                |
| <b>Model Year:</b> 2008  | <b>Model:</b> ES350                  | <b>Doc ID:</b> RM000002DBK002X |
| <b>Title:</b> EXTERIOR: REAR BUMPER: INSTALLATION (2008 ES350) |                                      |                                |

## INSTALLATION

### 1. INSTALL REAR BUMPER ASSEMBLY (w/o Intuitive Parking Assist System)

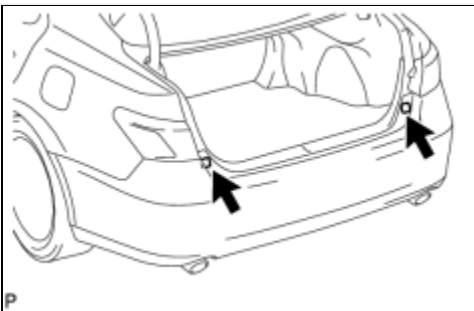


(a) Engage each claw.

(b) Install the rear bumper assembly with the 2 clips, 4 screws and 2 bolts.

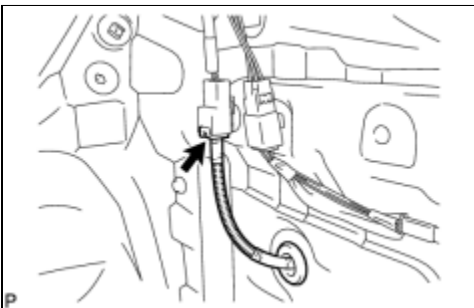
**Torque: 5.5 N·m (56 kgf·cm, 49 in·lbf)**

**Torque: 2.0 N·m (20 kgf·cm, 18 in·lbf)**



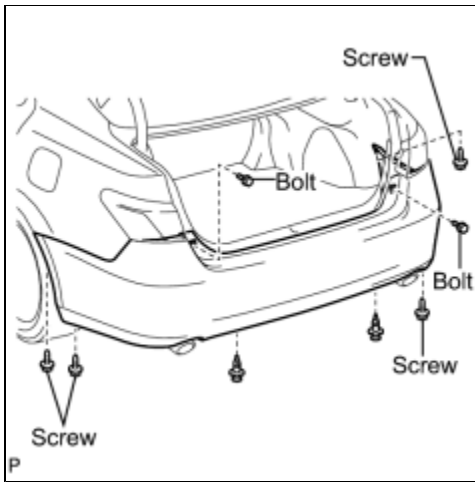
(c) Install the 2 rear bumper plates.

### 2. INSTALL REAR BUMPER ASSEMBLY (w/ Intuitive Parking Assist System)



(a) Install the grommet.

(b) Connect the connector.

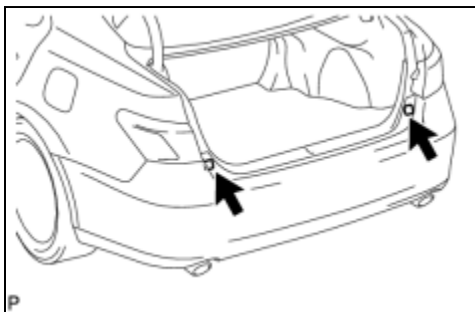


(c) Engage each claw.

(d) Install the rear bumper assembly with the 2 clips, 4 screws and 2 bolts.

**Torque: 5.5 N·m (56 kgf·cm, 49 in·lbf)**

**Torque: 2.0 N·m (20 kgf·cm, 18 in·lbf)**



(e) Install the 2 rear bumper plates.

### 3. INSTALL LUGGAGE COMPARTMENT INNER TRIM COVER RH (w/ Intuitive Parking Assist System)

INFO

### 4. INSTALL REAR FLOOR FINISH PLATE (w/ Intuitive Parking Assist System)

INFO

### 5. INSTALL NO. 1 LUGGAGE COMPARTMENT TRIM HOOK (w/ Intuitive Parking Assist System)

INFO

### 6. INSTALL LUGGAGE HOLD BELT STRIKER ASSEMBLY (w/ Intuitive Parking Assist System)

INFO

### 7. INSTALL SPARE WHEEL COVER TRAY (w/ Intuitive Parking Assist System)

### 8. INSTALL LUGGAGE COMPARTMENT FLOOR MAT (w/ Intuitive Parking Assist System)

