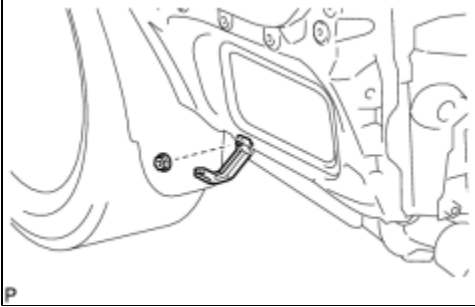


Last Modified: 7-13-2007		1.6 A
Service Category: Vehicle Exterior	Section: Exterior Panels/Trim	
Model Year: 2008	Model: ES350	Doc ID: RM000002DBN002X
Title: EXTERIOR: REAR BUMPER: REASSEMBLY (2008 ES350)		

## REASSEMBLY

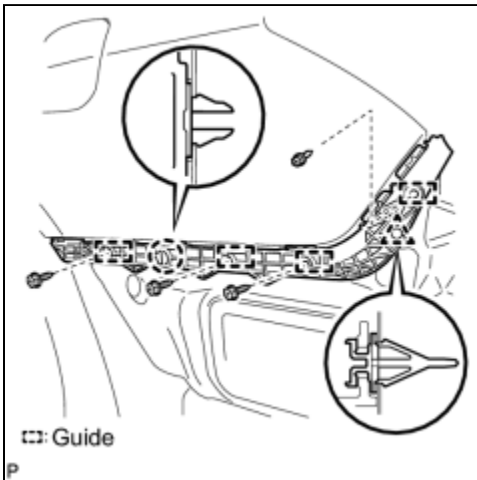
### 1. INSTALL WHEEL HOUSE REINFORCEMENT LH



(a) Install the wheel house reinforcement LH with the nut.

### 2. INSTALL WHEEL HOUSE REINFORCEMENT RH

### 3. INSTALL REAR BUMPER SIDE SUPPORT LH



(a) Engage the clip, claw and 4 guides, and install the rear bumper side support LH.

**Torque: 2.0 N·m (20 kgf·cm, 18 in·lbf)**

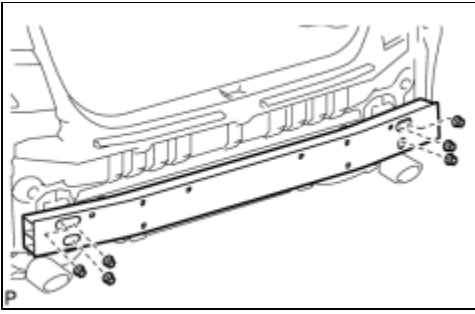
(b) Install the 4 screws.

### 4. INSTALL REAR BUMPER SIDE SUPPORT RH

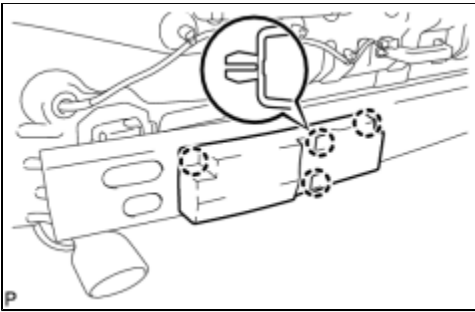
### 5. INSTALL REAR BUMPER REINFORCEMENT

(a) Install the rear bumper reinforcement with the 6 nuts.

**Torque: 68 N·m (693 kgf·cm, 50 ft·lbf)**



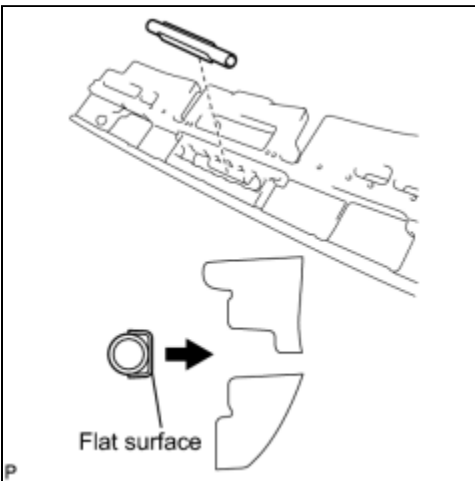
**6. INSTALL REAR BUMPER ARM LH**



(a) Engage the 4 claws and install the rear bumper arm LH.

**7. INSTALL REAR BUMPER ARM RH**

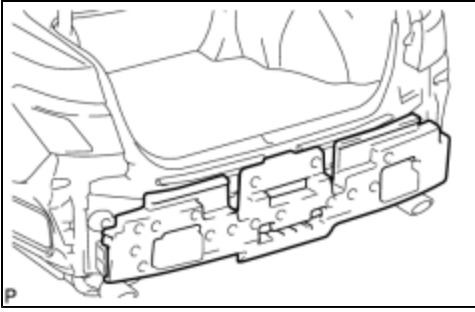
**8. INSTALL REAR BUMPER BAR**



(a) Install the rear bumper bar as shown in the illustration.

**9. INSTALL REAR BUMPER ENERGY ABSORBER**

(a) Install the rear bumper energy absorber.



**10. INSTALL REAR BUMPER PLATE**

**11. INSTALL LUGGAGE ROOM WIRE (w/ Intuitive Parking Assist System)**

**12. INSTALL NO. 1 ULTRASONIC SENSOR RETAINER (w/ Intuitive Parking Assist System)**



**13. INSTALL NO. 1 ULTRASONIC SENSOR (w/ Intuitive Parking Assist System)**

