

Last Modified: 7-13-2007		1.6 A
Service Category: Vehicle Exterior	Section: Exterior Panels/Trim	
Model Year: 2008	Model: ES350	Doc ID: RM000002DBM002X
Title: EXTERIOR: REAR BUMPER: DISASSEMBLY (2008 ES350)		

DISASSEMBLY

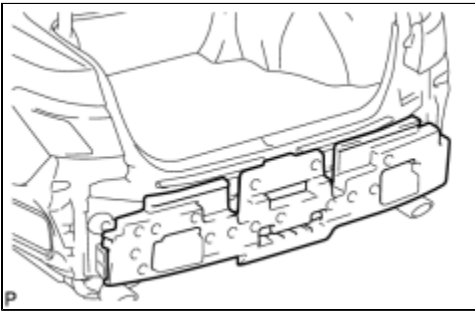
1. REMOVE NO. 1 ULTRASONIC SENSOR (w/ Intuitive Parking Assist System) [INFO](#)

2. REMOVE NO. 1 ULTRASONIC SENSOR RETAINER (w/ Intuitive Parking Assist System) [INFO](#)

3. REMOVE LUGGAGE ROOM WIRE (w/ Intuitive Parking Assist System)

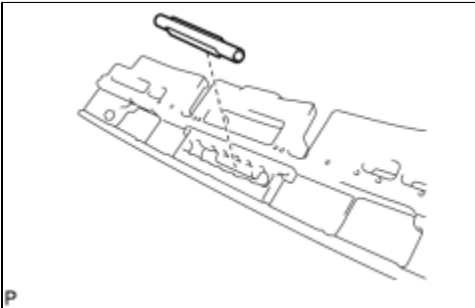
4. REMOVE REAR BUMPER PLATE

5. REMOVE REAR BUMPER ENERGY ABSORBER



(a) Remove the rear bumper energy absorber.

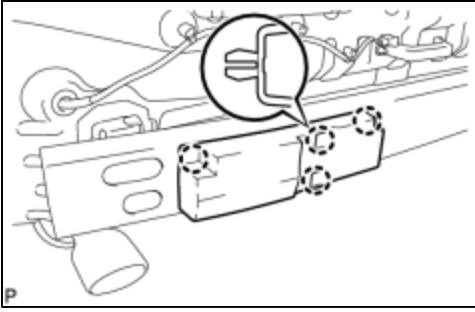
6. REMOVE REAR BUMPER BAR



(a) Remove the rear bumper bar.

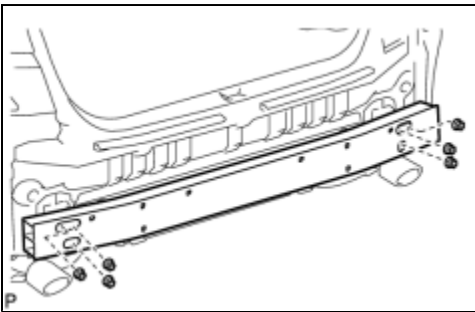
7. REMOVE REAR BUMPER ARM LH

(a) Disengage the 4 claws and remove the rear bumper arm LH.



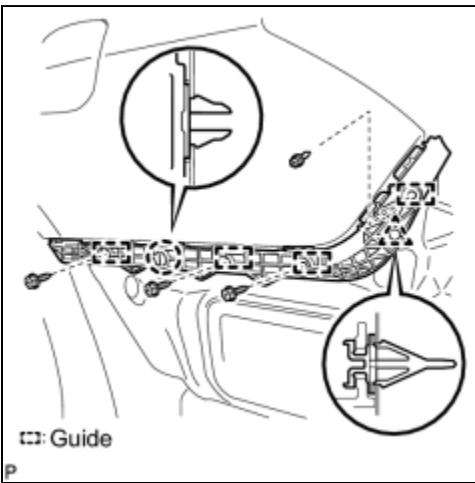
8. REMOVE REAR BUMPER ARM RH

9. REMOVE REAR BUMPER REINFORCEMENT



(a) Remove the 6 nuts and rear bumper reinforcement.

10. REMOVE REAR BUMPER SIDE SUPPORT LH

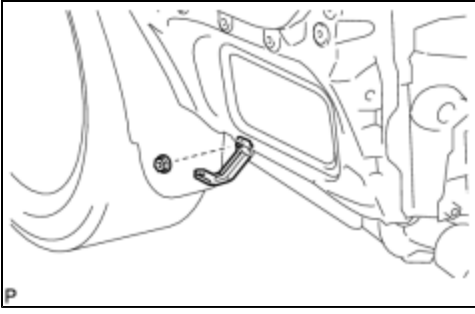


(a) Remove the 4 screws.

(b) Disengage the clip, claw and 4 guides, and remove the rear bumper side support LH.

11. REMOVE REAR BUMPER SIDE SUPPORT RH

12. REMOVE WHEEL HOUSE REINFORCEMENT LH



(a) Remove the nut and wheel house reinforcement LH.

13. REMOVE WHEEL HOUSE REINFORCEMENT RH

