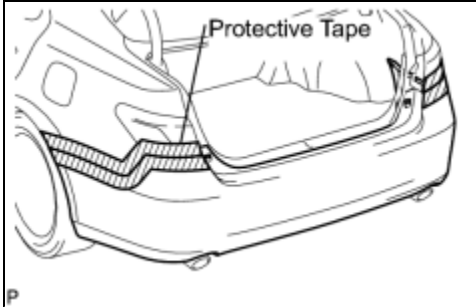


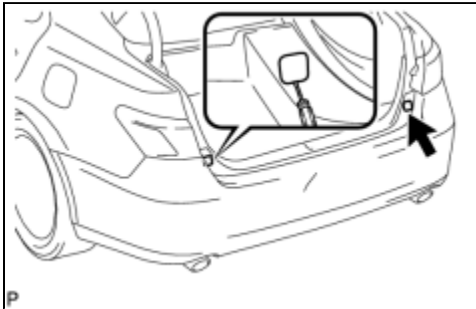
Last Modified: 7-13-2007		1.6 A
Service Category: Vehicle Exterior	Section: Exterior Panels/Trim	
Model Year: 2008	Model: ES350	Doc ID: RM000002DBL002X
Title: EXTERIOR: REAR BUMPER: REMOVAL (2008 ES350)		

REMOVAL

1. REMOVE REAR BUMPER ASSEMBLY (w/o Intuitive Parking Assist System)



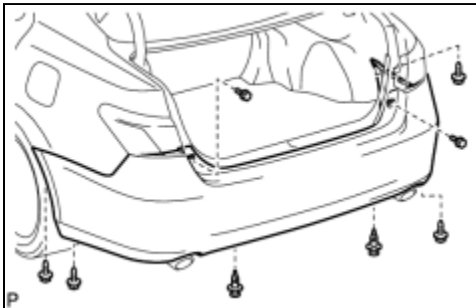
(a) Put protective tape around the rear bumper assembly.



(b) Using a screwdriver, open the 2 rear bumper plates.

HINT:

Tape the screwdriver tip before use.

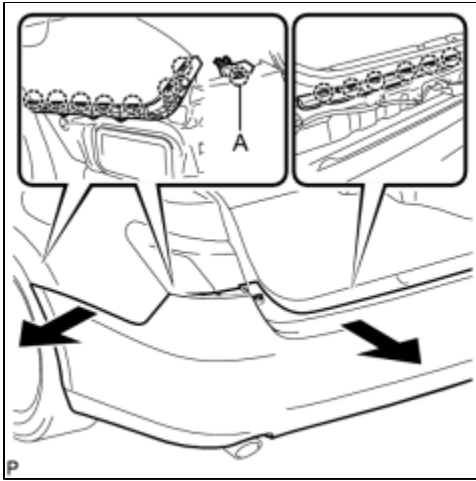


(c) Remove the 2 clips, 4 screws and 2 bolts.

(d) Disengage the 14 claws and disconnect the rear bumper assembly as shown in the illustration.

HINT:

- When disengaging claw A, slide the rear bumper toward the center of the



vehicle.

- Use the same procedures for the RH side and LH side.

(e) Remove the rear bumper assembly.

2. REMOVE LUGGAGE COMPARTMENT FLOOR MAT (w/ Intuitive Parking Assist System)

3. REMOVE SPARE WHEEL COVER TRAY (w/ Intuitive Parking Assist System)

4. REMOVE LUGGAGE HOLD BELT STRIKER ASSEMBLY (w/ Intuitive Parking Assist System)

INFO

5. REMOVE NO. 1 LUGGAGE COMPARTMENT TRIM HOOK (w/ Intuitive Parking Assist System)

INFO

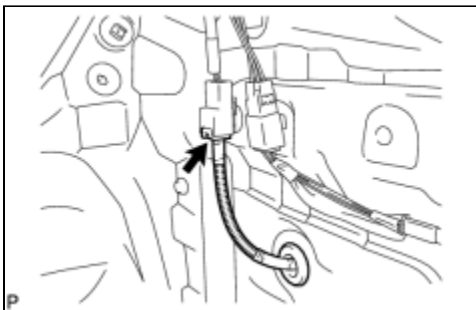
6. REMOVE REAR FLOOR FINISH PLATE (w/ Intuitive Parking Assist System)

INFO

7. REMOVE LUGGAGE COMPARTMENT INNER TRIM COVER RH (w/ Intuitive Parking Assist System)

INFO

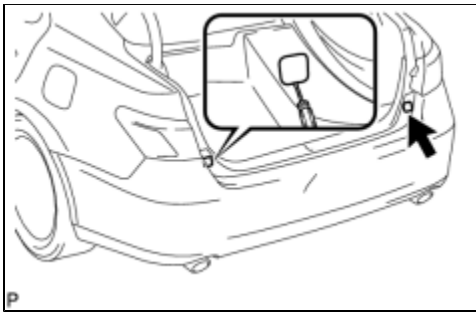
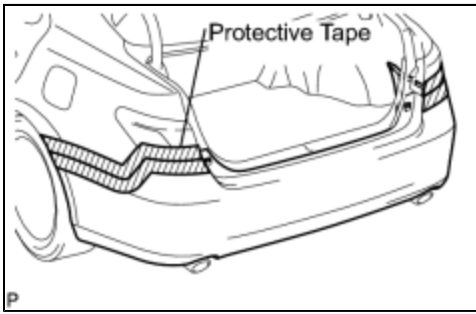
8. REMOVE REAR BUMPER ASSEMBLY (w/ Intuitive Parking Assist System)



(a) Disconnect the connector.

(b) Disengage the grommet.

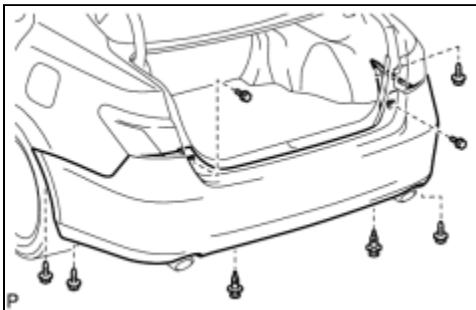
(c) Put protective tape around the rear bumper assembly.



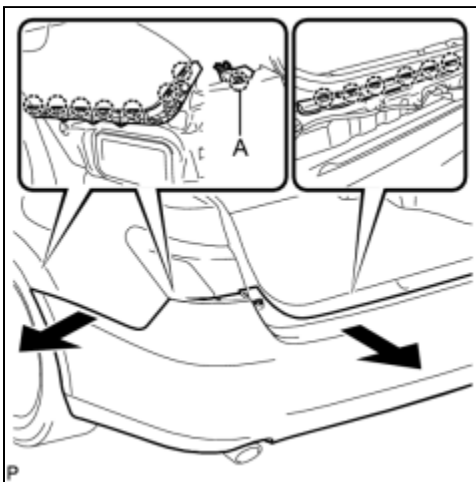
(d) Using a screwdriver, open the 2 rear bumper plates.

HINT:

Tape the screwdriver tip before use.



(e) Remove the 2 clips, 4 screws and 2 bolts.



(f) Disengage the 14 claws and disconnect the rear bumper assembly as shown in the illustration.

HINT:

- When disengaging claw A, slide the rear bumper toward the center of the vehicle.
- Use the same procedures for the RH side and LH side.

(g) Remove the rear bumper assembly.