

Last Modified: 7-13-2007		1.6 A
Service Category: Brake	Section: Brake Control/Dynamic Control System	
Model Year: 2008	Model: ES350	Doc ID: RM0000011P500FX
Title: BRAKE CONTROL: FRONT SPEED SENSOR: REMOVAL (2008 ES350)		

## REMOVAL

### HINT:

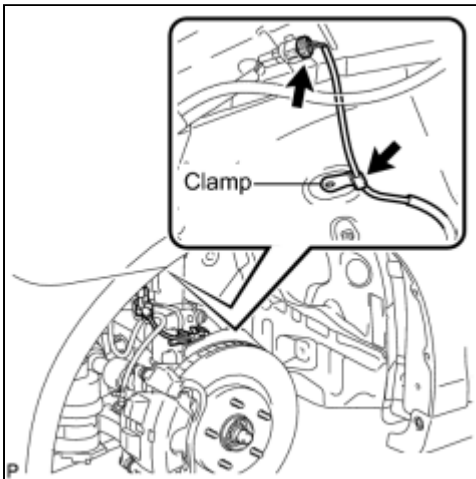
- Use the same procedure for the RH side and LH side.
- The procedures listed below are for the LH side.

#### 1. REMOVE FRONT WHEEL

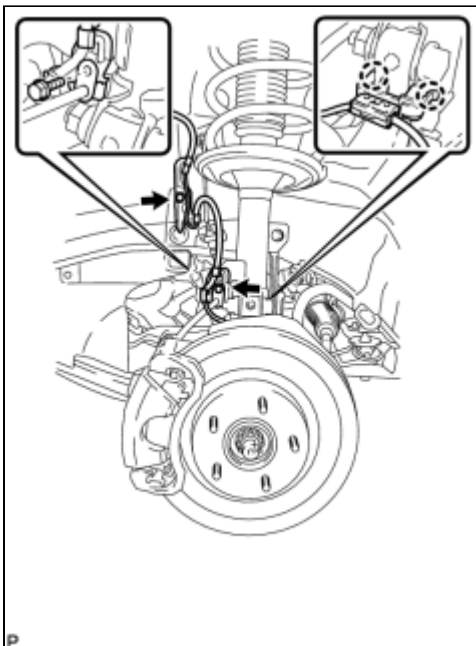
#### 2. REMOVE FRONT WHEEL OPENING EXTENSION PAD LH [INFO](#)

#### 3. REMOVE FRONT FENDER LINER [INFO](#)

#### 4. REMOVE FRONT SPEED SENSOR

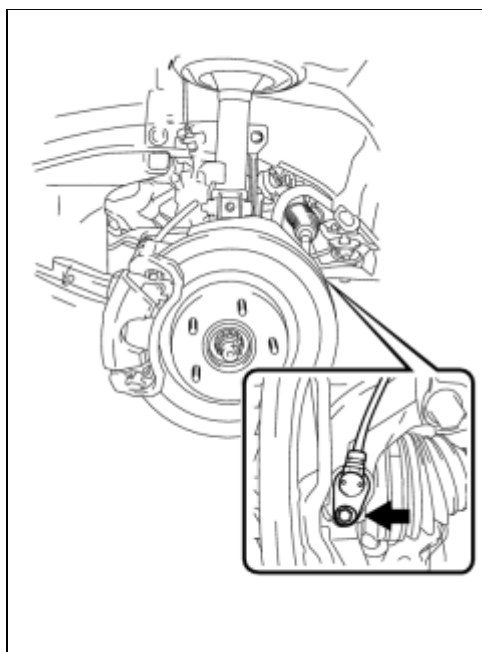


(a) Disconnect the front speed sensor connector and clamp.



(b) Remove the 2 bolts from the body and the shock absorber assembly.

(c) Disengage the 2 claws from the steering knuckle and body.



(d) Remove the bolt and the front speed sensor.

**NOTICE:**

- Prevent foreign matter from attaching to the sensor tip.
- Clean the installation hole and the surface for the speed sensor every time the speed sensor is removed.

