

Introduction The 2007 model year ES 350 is equipped with a direct type Tire Pressure Warning System (TPWS). A tire pressure sensing transmitter is built into each tire valve, and the measured tire pressure data is transmitted through a Tire Pressure Warning System antenna to the tire pressure monitoring system receiver.

During Pre-Delivery Service (PDS), the tire pressure sensing transmitters must be activated according to the procedure in this bulletin.

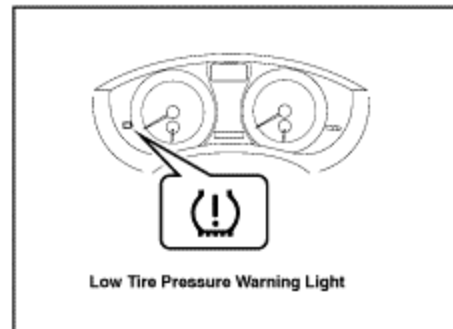
Applicable Vehicles

- 2007 model year **ES 350** vehicles.

Reference Information

NOTE:

- After all the tire pressure sensing transmitters are activated, the flashing Low Tire Pressure Warning Light goes OFF.
- The Diagnostic Trouble Codes (DTCs) listed below may be stored in the system until the tire pressure sensing transmitters are activated.
- The codes will automatically clear when the tire pressure sensing transmitters are activated.



DTC *1	DTC *2	DTC
11	C2111	Transmitter ID1 Inactive (Sleep Mode)
12	C2112	Transmitter ID2 Inactive (Sleep Mode)
13	C2113	Transmitter ID3 Inactive (Sleep Mode)
14	C2114	Transmitter ID4 Inactive (Sleep Mode)
15*	C2115	Transmitter ID5 Inactive (Sleep Mode)

DTC *1: Indicated by flashing of the Low Tire Pressure Warning Light.

DTC *2: Indicated on the Lexus Diagnostic Tester.

* Except compact spare.

Warranty Information

OP CODE	DESCRIPTION	TIME	OFF	T1	T2
N/A	Not Applicable to Warranty	-	-	-	-



Required SSTs

ITEM NO.	SPECIAL SERVICE TOOLS (SSTs)	PART NUMBER	QTY	DRW**
1	Lexus Diagnostic Tester Kit* NOTE: • All components from this kit/set are required • 12 Megabyte Diagnostic Tester Program Card (P/N 01002593-005) with version 13.3a Software (or later) is required	LEX220036	1	8
2	CAN Interface Module Kit* NOTE: • All components from this kit/set are required	01002744	1	8

* Essential SSTs.

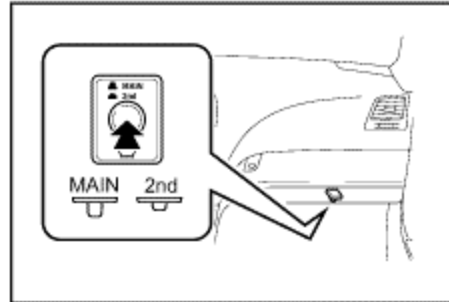
** Refers to drawer number in SST Storage System.

NOTE:

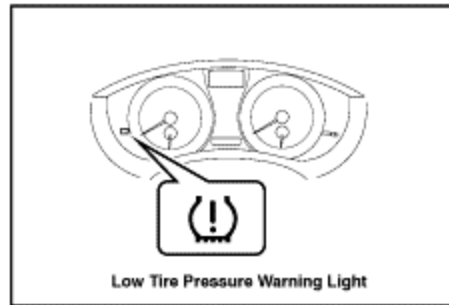
Additional Diagnostic Tester Kits, CAN Interface Modules, Program Cards, or other SSTs may be ordered by calling SPX/OTC at 1-800-933-8335.

Activation Procedure

1. Check that the tire pressure warning switch is in the "MAIN" position.



2. Turn the engine switch to the "IG-ON" mode and check that the Low Tire Pressure Warning Light blinks.

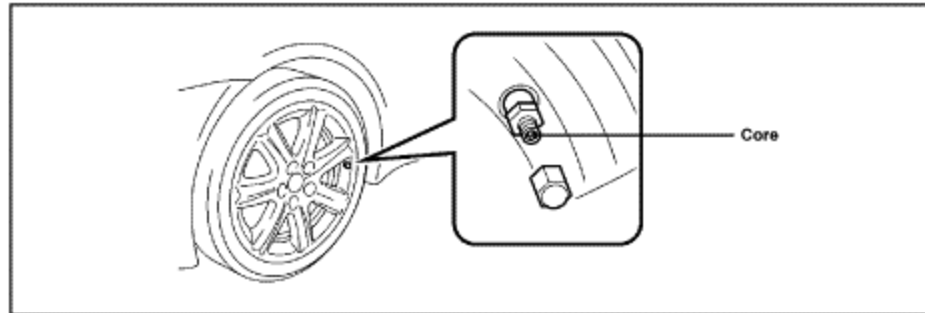


Activation Procedure
(Continued)

3. Rapidly reduce the tire pressure by 6.0 psi (0.4 kgf/cm², 40 kPa) or more within 30 seconds.

This operation is required for the system to be activated and must be performed for each tire, one at a time.

Check that the Low Tire Pressure Warning Light goes OFF after all the tire pressure sensing transmitters are activated.



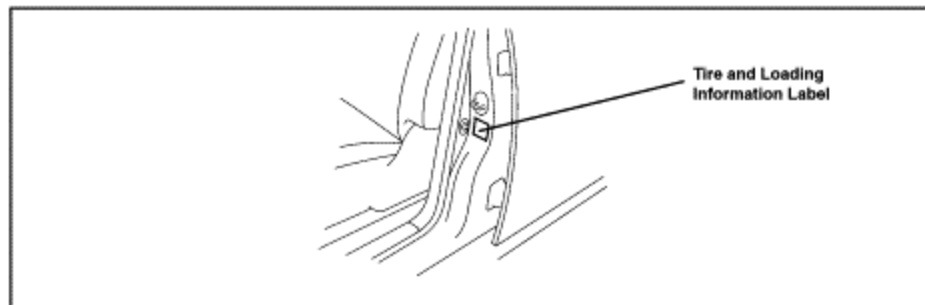
NOTE:

- This operation is required for the system to be activated and must be performed for each tire (except the compact spare tire), one at a time.

4. Check that the sleep mode DTCs are NOT stored in the system. If the sleep mode DTCs are stored, increase the tire inflation pressure of all 5 tires to 44 psi (3.0 kgf/cm², 300 kPa) and repeat steps 1 - 3.
5. Adjust the tire pressure to the specified level as indicated on the Tire and Loading Information label on the vehicle.

NOTE:

- If there is great difference between the current temperature of the tire and wheel (for example: shop temperature) and expected temperature (for example: outdoor temperature), this needs to be considered when adjusting the tire pressure.
- Adjust the tire pressure when the tires are cold.
- The tire pressure must be checked COLD, meaning that the car must NOT have been driven at highway speeds for AT LEAST 3 hours.



6. Check that the Low Tire Pressure Warning Light is OFF.

**Activation
Procedure**
(Continued)

7. Push and hold the Tire Pressure Warning Set Switch for 3 seconds until the Low Tire Pressure Warning Light blinks 3 times. Ensure the Low Tire Pressure Warning Light goes OFF. When the Low Tire Pressure Warning light goes OFF, it is necessary to leave the power switch in the "IG-ON" mode for 5 minutes to allow the TPWS ECU to initialize with the current tire pressure.

NOTE:

- Do NOT turn the power switch OFF until initialization is complete. If initialization has NOT been completed, it is NOT possible to enter TPWS test mode.
- It is necessary to wait for up to 5 minutes until initialization completes correctly.

