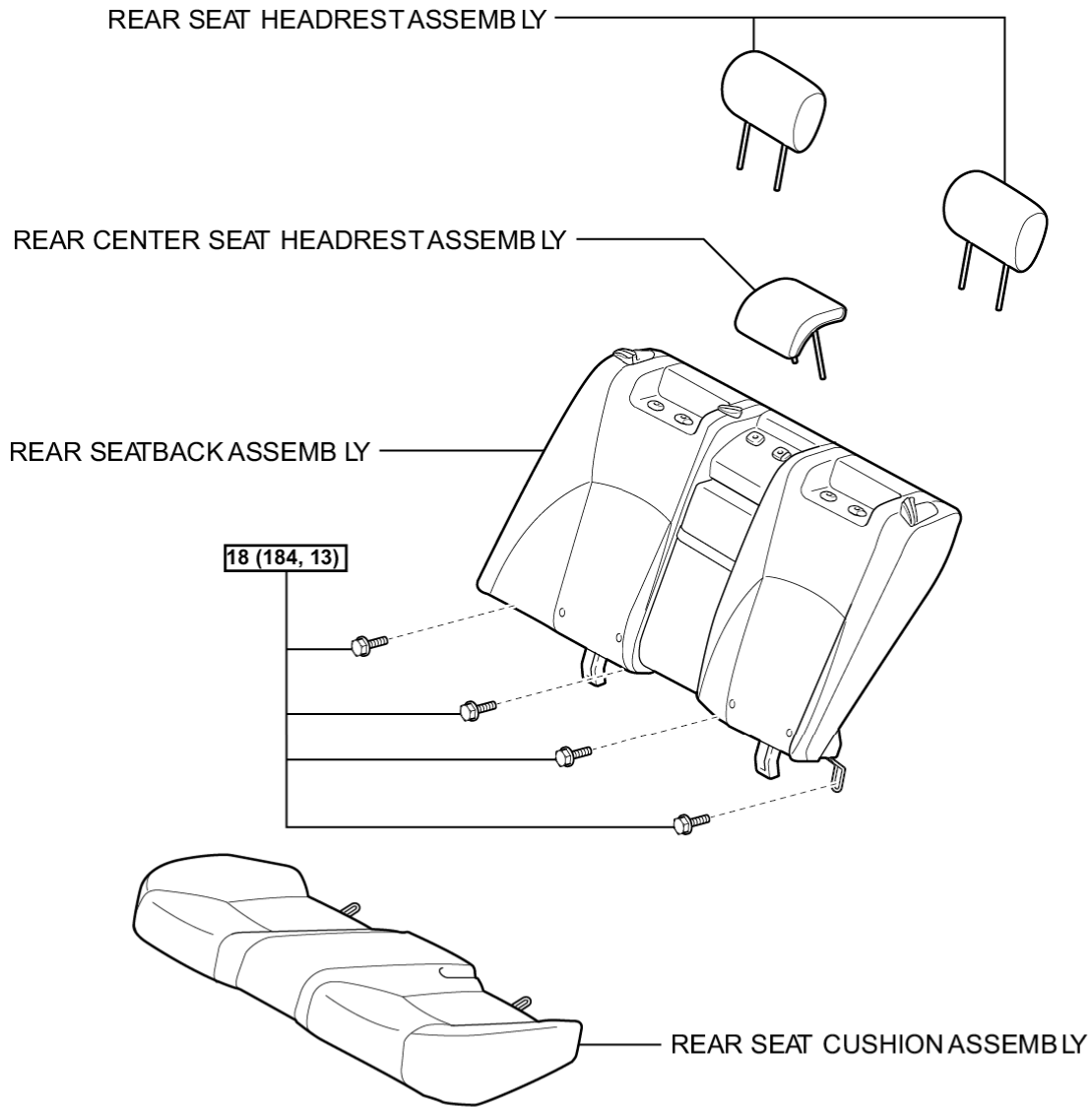


<b>Last Modified:</b> 7-13-2007		1.7 K
<b>Service Category:</b> Vehicle Interior	<b>Section:</b> Interior Panels/Trim	
<b>Model Year:</b> 2008	<b>Model:</b> ES350	<b>Doc ID:</b> RM000001F2J00HX
<b>Title:</b> INTERIOR: REAR SUNSHADE ASSEMBLY: COMPONENTS (2008 ES350)		

**COMPONENTS**

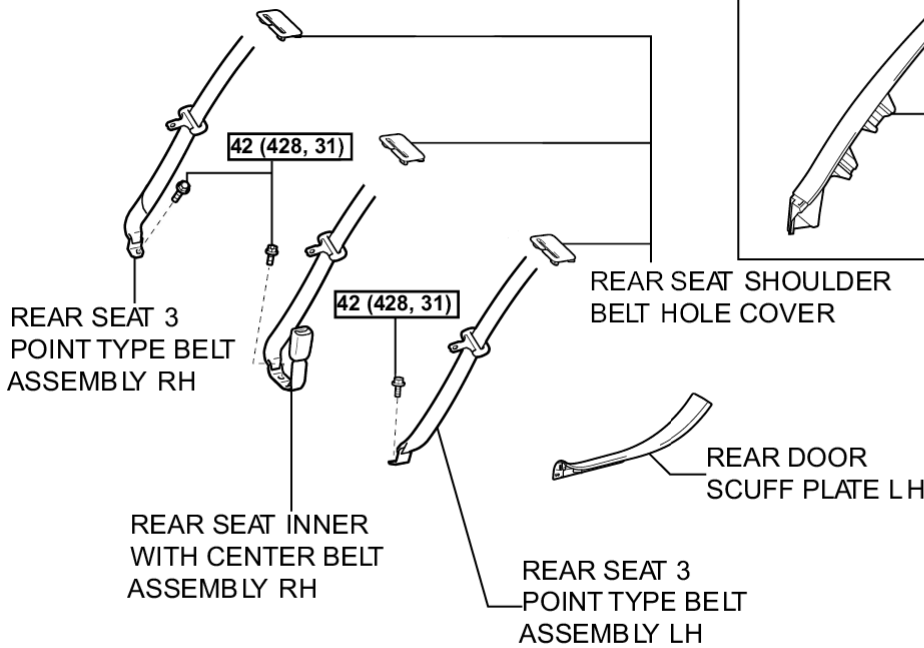
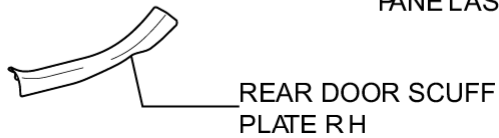
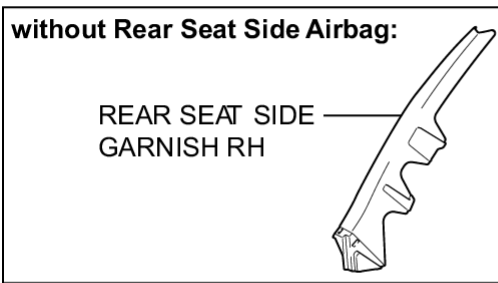
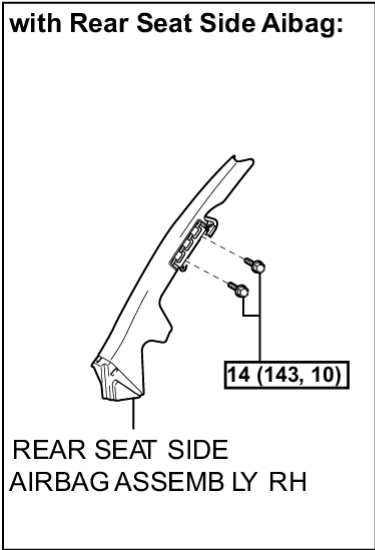
**ILLUSTRATION**



**18 (184, 13)**: Specified torque

P

## ILLUSTRATION



NO. 2 PACKAGE TRAY TRIM PANEL ASSEMBLY

ROOF SIDE INNER GARNISH ASSEMBLY RH

CENTER STOP LIGHT SET

REAR WINDOW SHADE ASSEMBLY

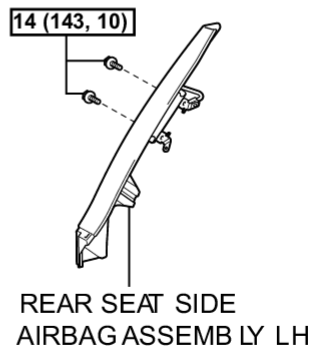
ROOF SIDE INNER GARNISH ASSEMBLY LH

PACKAGE TRAY TRIM PANEL ASSEMBLY

**without Rear Seat Side Airbag:**

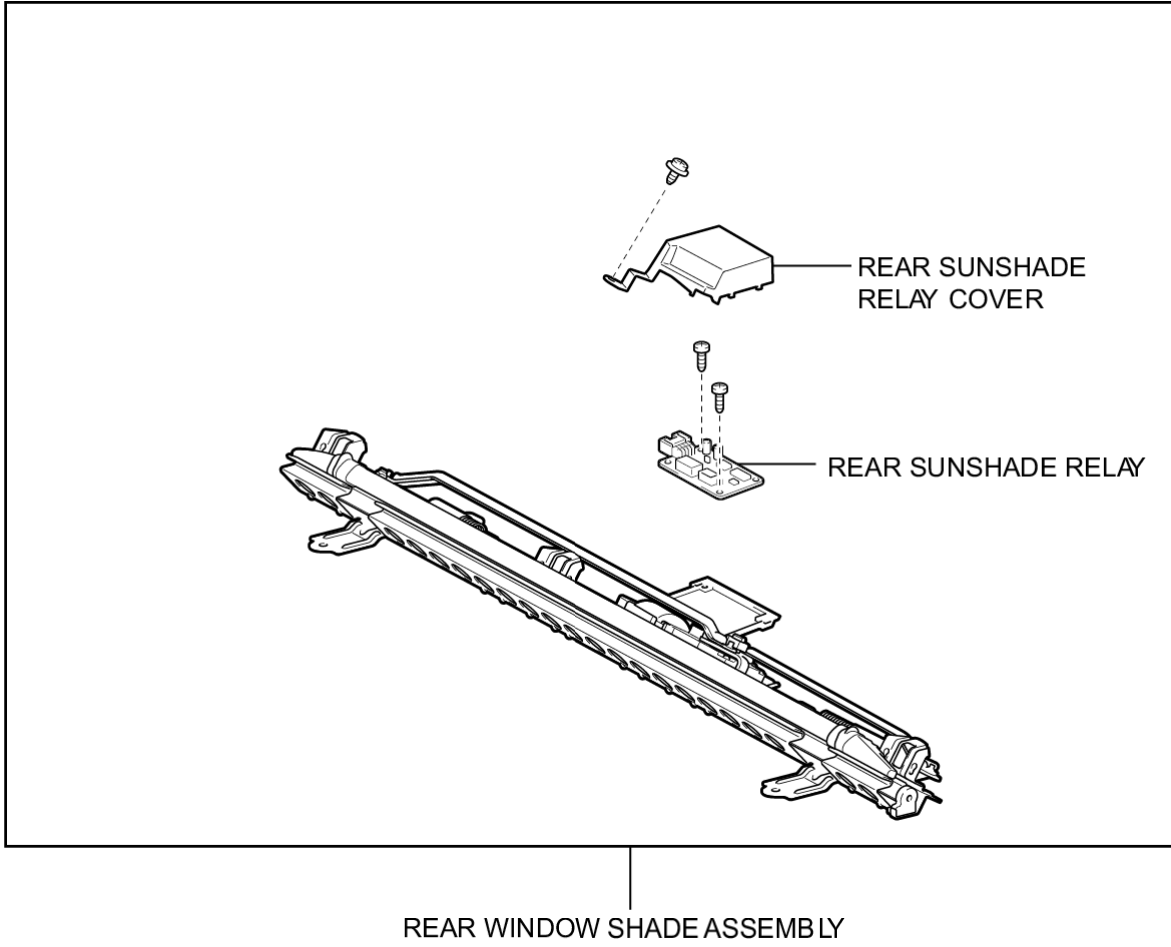


**with Rear Seat Side Airbag:**



**N\*m (kgf\*cm, ft.\*lbf)**: Specified torque

P



P

