


Last Modified: 7-13-2007		1.7 A
Service Category: Vehicle Interior	Section: Interior Panels/Trim	
Model Year: 2008	Model: ES350	Doc ID: RM000001F2K00IX
Title: INTERIOR: REAR SUNSHADE ASSEMBLY: REMOVAL (2008 ES350)		

## REMOVAL

### 1. DISCONNECT CABLE FROM NEGATIVE BATTERY TERMINAL (w/ Rear Seat Side Airbag)

#### CAUTION:

Wait for 90 seconds after disconnecting the cable to prevent airbag deployment .

### 2. REMOVE REAR SEAT CUSHION ASSEMBLY

### 3. REMOVE REAR SEAT HEADREST ASSEMBLY

### 4. REMOVE REAR CENTER SEAT HEADREST ASSEMBLY

### 5. REMOVE REAR SEATBACK ASSEMBLY

### 6. REMOVE REAR DOOR SCUFF PLATE LH

### 7. REMOVE REAR DOOR SCUFF PLATE RH

### 8. REMOVE REAR SEAT SIDE AIRBAG ASSEMBLY LH (w/ Rear Seat Side Airbag)

### 9. REMOVE REAR SEAT SIDE GARNISH LH (w/o Rear Seat Side Airbag)

### 10. REMOVE REAR SEAT SIDE AIRBAG ASSEMBLY RH (w/ Rear Seat Side Airbag)

#### HINT:

Use the same procedure for the LH side and RH side.

### 11. REMOVE REAR SEAT SIDE GARNISH RH (w/o Rear Seat Side Airbag)

### 12. REMOVE ROOF SIDE INNER GARNISH ASSEMBLY LH

### 13. REMOVE ROOF SIDE INNER GARNISH ASSEMBLY RH

### 14. DISCONNECT REAR SEAT 3 POINT TYPE BELT ASSEMBLY LH

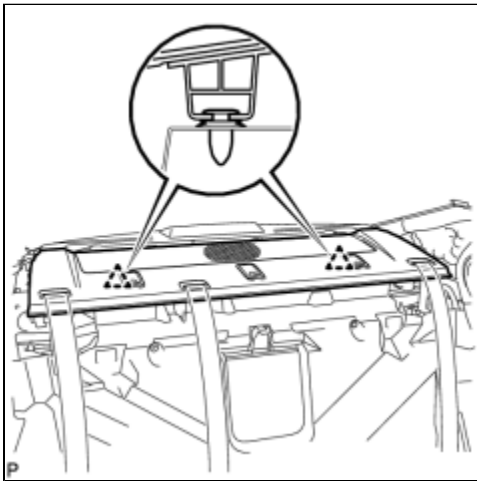
### 15. DISCONNECT REAR SEAT 3 POINT TYPE BELT ASSEMBLY RH

### 16. DISCONNECT REAR SEAT INNER WITH CENTER BELT ASSEMBLY RH

### 17. REMOVE REAR SEAT SHOULDER BELT HOLE COVER

### 18. REMOVE PACKAGE TRAY TRIM PANEL ASSEMBLY

(a) Disengage the 2 clips and raise the front portion of the package tray trim panel assembly.

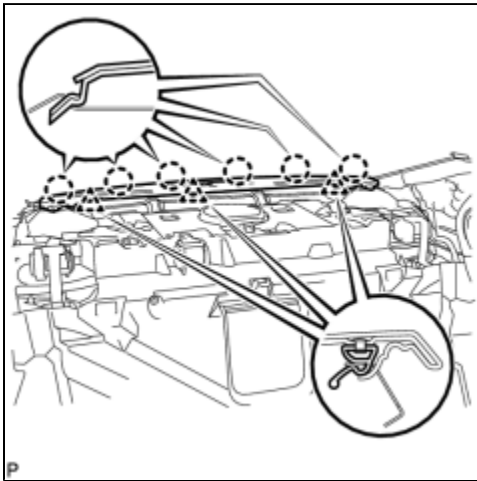


(b) Pass the 3 rear seat belt floor anchors through the holes in the package tray trim panel assembly.

(c) Remove the package tray trim panel assembly.

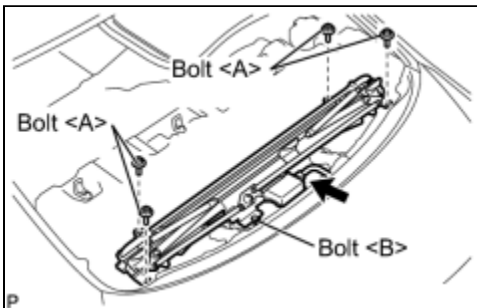
### 19. REMOVE CENTER STOP LIGHT SET INFO

### 20. REMOVE NO. 2 PACKAGE TRAY TRIM PANEL ASSEMBLY



(a) Disengage the 3 clips and 6 claws, and remove the No. 2 package tray trim panel assembly.

### 21. REMOVE REAR WINDOW SHADE ASSEMBLY



(a) Disconnect the connector.

(b) Remove the 4 bolts <A>.

(c) Loosen bolt <B> and remove the rear window shade assembly.

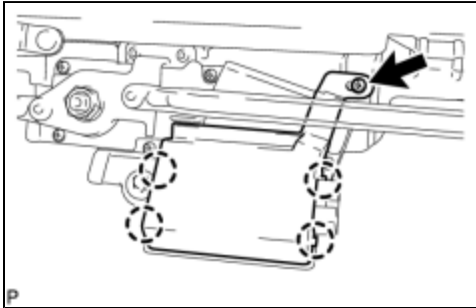
**NOTICE:**

**Bolt <B> cannot be removed from the rear window shade assembly.**

**22. REMOVE REAR SUNSHADE RELAY**

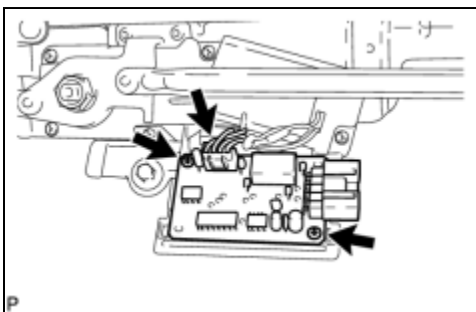
**NOTICE:**

**When disassembling the rear sunshade assembly, eliminate static electricity by touching the vehicle body to prevent the components from being damaged.**



(a) Remove the screw.

(b) Disengage the 4 claws and remove the rear sunshade relay cover.



(c) Disconnect the connector.

(d) Remove the 2 screws and the rear sunshade relay.

