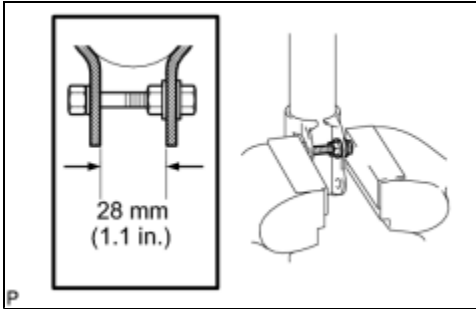


Last Modified: 7-13-2007		1.6 A
Service Category: Suspension	Section: Rear Suspension	
Model Year: 2008	Model: ES350	Doc ID: RM0000011DW00MX
Title: SUSPENSION: REAR SHOCK ABSORBER: DISASSEMBLY (2008 ES350)		

DISASSEMBLY

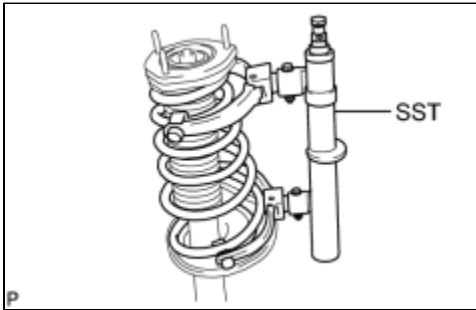
1. FIX REAR SHOCK ABSORBER WITH COIL SPRING



- (a) As shown in the illustration, secure the rear shock absorber with coil spring in a vise using aluminum plates by closing the vise onto the double nutted bolt affixed to the bracket at the bottom of the absorber.

2. REMOVE REAR SHOCK ABSORBER

- (a) Using SST, compress the rear coil spring.



SST: 09727-30021

09727-00010

09727-00021

09727-00031

NOTICE:

Do not use an impact wrench.

HINT:

If the front coil spring is compressed at an angle, using 2 SST will make the work easier.

- (b) Remove the nut, rear shock absorber collar and rear suspension support assembly.
(c) Remove the rear coil spring, rear No. 1 spring bumper, and rear coil spring lower insulator.

