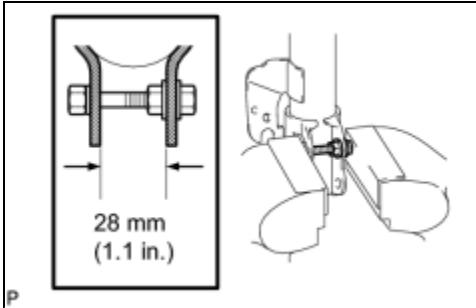


|                                                                   |                           |                         |
|-------------------------------------------------------------------|---------------------------|-------------------------|
| Last Modified: 7-13-2007                                          |                           | 1.6 A                   |
| Service Category: Suspension                                      | Section: Front Suspension |                         |
| Model Year: 2008                                                  | Model: ES350              | Doc ID: RM0000011DG000X |
| Title: SUSPENSION: FRONT SHOCK ABSORBER: DISASSEMBLY (2008 ES350) |                           |                         |

## DISASSEMBLY

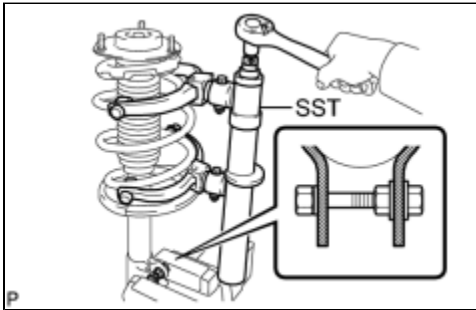
### 1. FIX FRONT SHOCK ABSORBER WITH COIL SPRING



- (a) As shown in the illustration, secure the front shock absorber with coil spring in a vise using aluminum plates by clamping onto a double nutted bolt affixed to the bracket at the bottom of the absorber.

### 2. REMOVE FRONT SHOCK ABSORBER

- (a) Using SST, compress the front coil spring.



**SST: 09727-30021**

09727-00010

09727-00021

09727-00031

**NOTICE:**

**Do not use an impact wrench.**

**HINT:**

**If the front coil spring is compressed at an angle, using 2 SST will make the work easier.**

- (b) Remove the front suspension support sub-assembly, front suspension support bearing, front coil spring upper seat, front coil spring upper insulator, front coil spring, front spring bumper, and front coil spring lower insulator from the front shock absorber.

