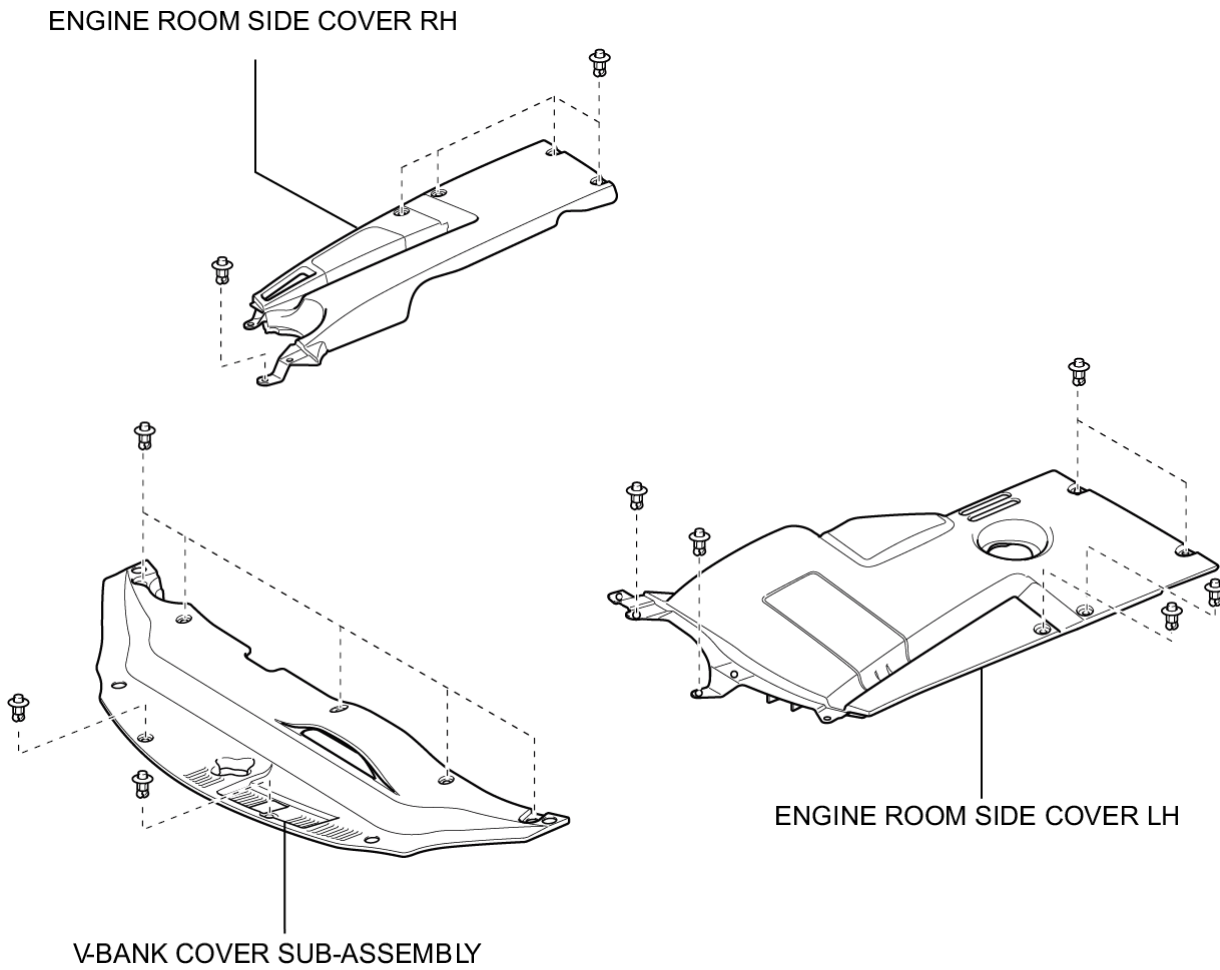


Last Modified: 7-13-2007		1.6 K
Service Category: Suspension	Section: Front Suspension	
Model Year: 2008	Model: ES350	Doc ID: RM0000011DE00PX
Title: SUSPENSION: FRONT SHOCK ABSORBER: COMPONENTS (2008 ES350)		

COMPONENTS

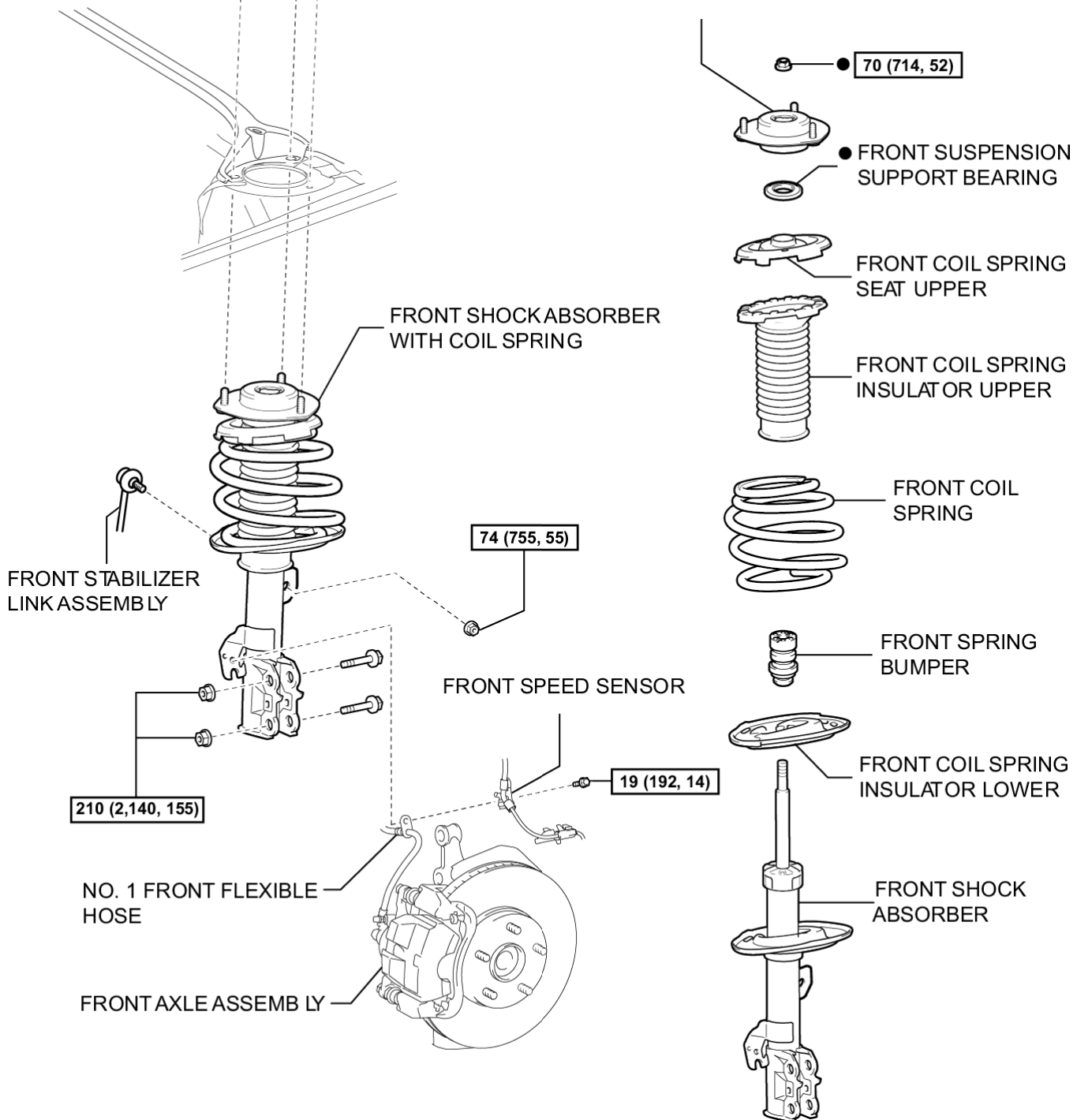
ILLUSTRATION



ILLUSTRATION

85 (867, 63)

FRONT SUSPENSION SUPPORT SUB-ASSEMBLY



[N*m (kgf*cm, ft.*lbf)] : Specified torque

● Non-reusable part

c

