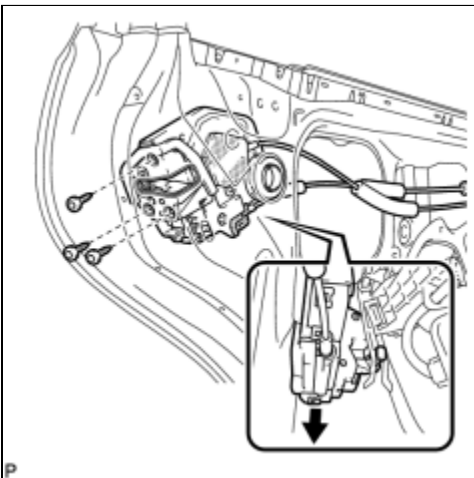


Last Modified: 7-13-2007		1.7 A
Service Category: Vehicle Interior	Section: Door Lock	
Model Year: 2008	Model: ES350	Doc ID: RM000001P85000X
Title: DOOR LOCK: REAR DOOR LOCK: REMOVAL (2008 ES350)		

REMOVAL

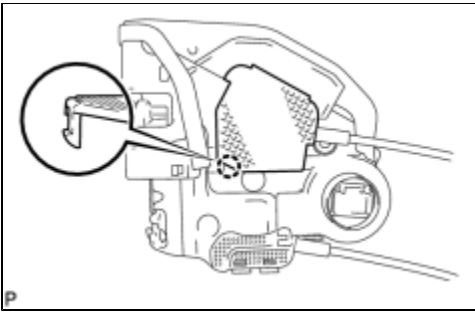
1. REMOVE REAR DOOR INSIDE HANDLE BEZEL PLUG [INFO](#)
2. REMOVE REAR DOOR ARMREST BASE PANEL ASSEMBLY [INFO](#)
3. REMOVE COURTESY LIGHT ASSEMBLY [INFO](#)
4. REMOVE REAR DOOR ARMREST COVER [INFO](#)
5. REMOVE REAR DOOR TRIM BOARD SUB-ASSEMBLY [INFO](#)
6. REMOVE REAR DOOR INNER GLASS WEATHERSTRIP [INFO](#)
7. REMOVE REAR DOOR SERVICE HOLE COVER [INFO](#)
8. REMOVE REAR DOOR TRIM BRACKET [INFO](#)
9. REMOVE REAR DOOR GLASS RUN [INFO](#)
10. REMOVE REAR DOOR WINDOW DIVISION BAR SUB-ASSEMBLY [INFO](#)
11. REMOVE REAR DOOR QUARTER WINDOW GLASS [INFO](#)
12. REMOVE REAR DOOR GLASS SUB-ASSEMBLY [INFO](#)
13. REMOVE REAR DOOR LOCK ASSEMBLY



(a) Using a "TORX" socket wrench (T30), remove the 3 screws.

(b) Move the rear door lock assembly downward and pull the release plate out of the rear door outside handle frame.

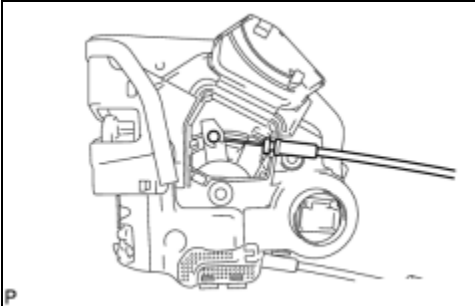
(c) Remove the door lock wiring harness seal from the rear door lock assembly.



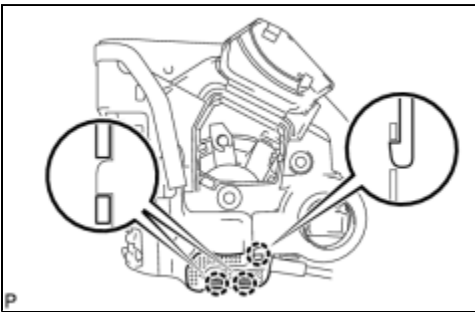
(d) Using a screwdriver, disengage the claw.

HINT:

Tape the screwdriver tip before use.



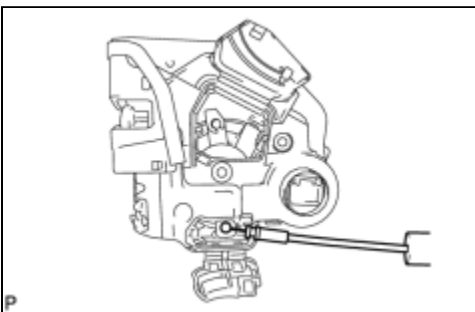
(e) Remove the rear door inside locking cable assembly.



(f) Using a screwdriver, disengage the 3 claws.

HINT:

Tape the screwdriver tip before use.



(g) Remove the rear door inside locking cable assembly.