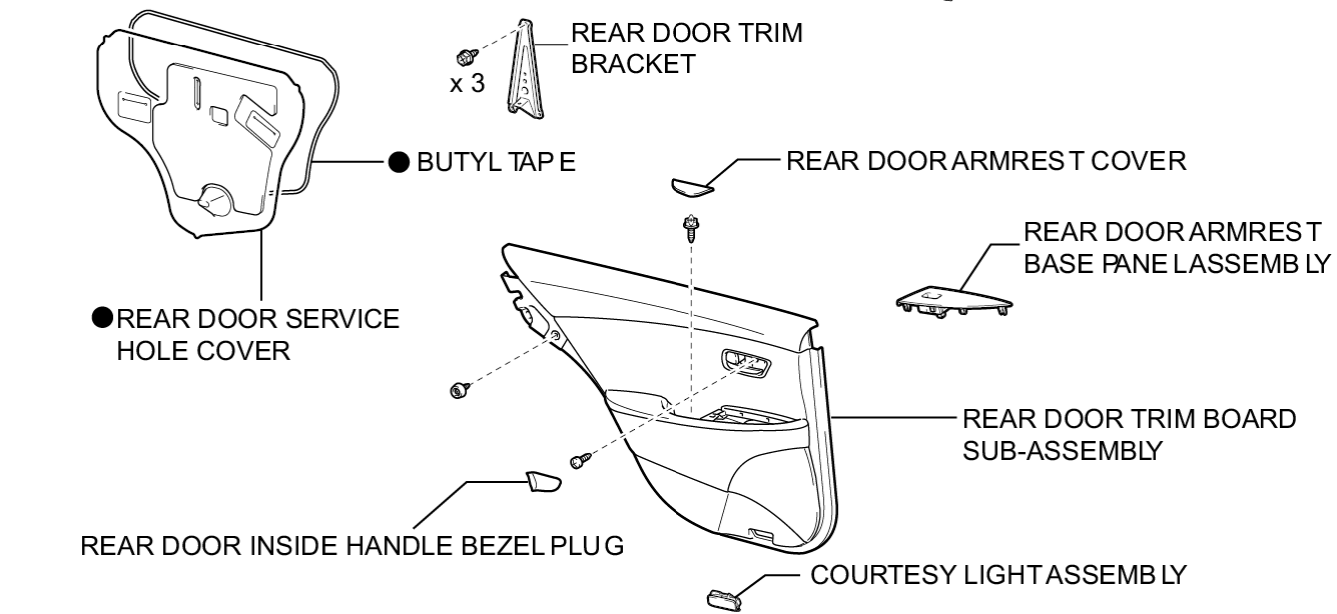
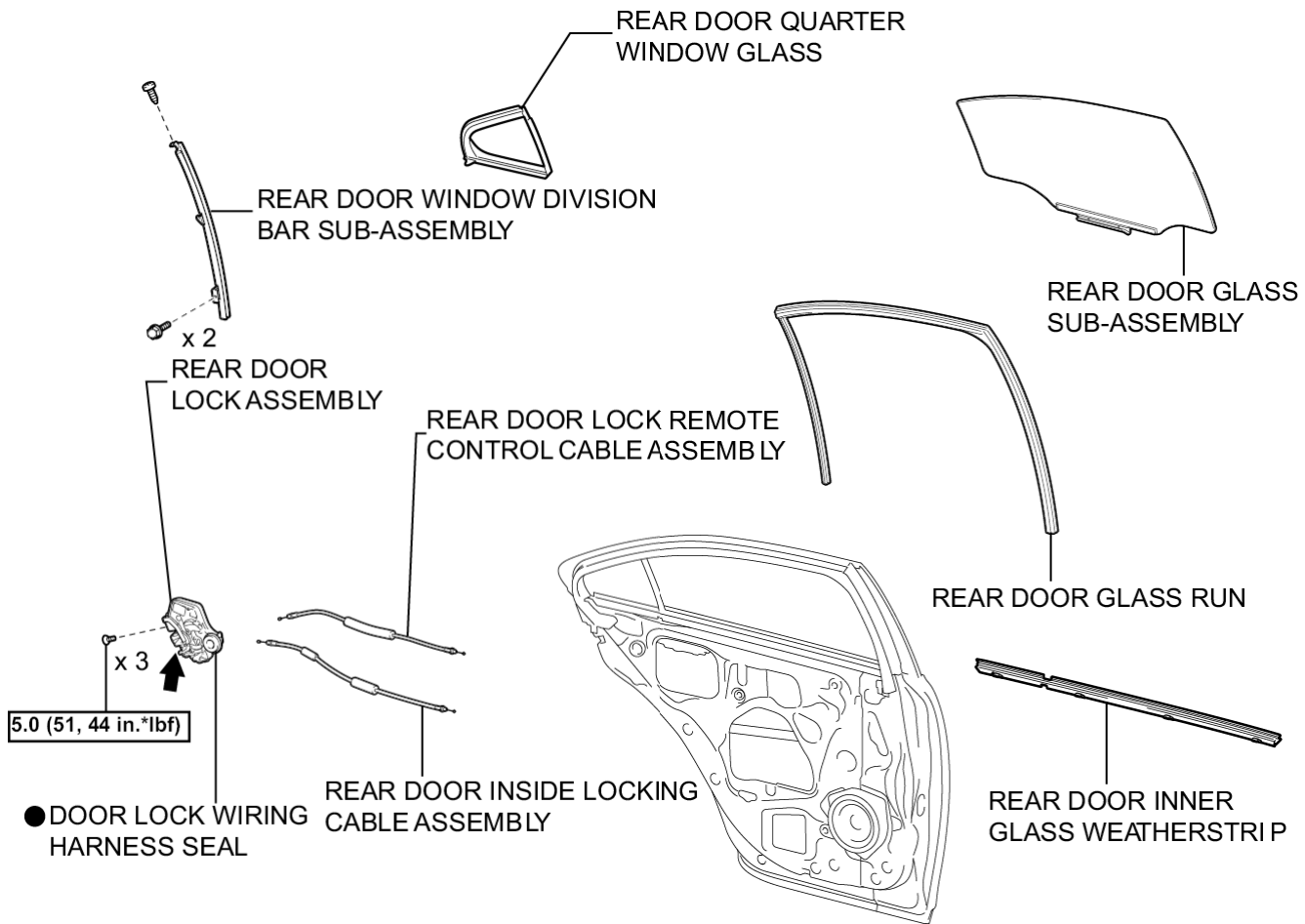


Last Modified: 7-13-2007		1.7 K
Service Category: Vehicle Interior	Section: Door Lock	
Model Year: 2008	Model: ES350	Doc ID: RM000001P8400MX
Title: DOOR LOCK: REAR DOOR LOCK: COMPONENTS (2008 ES350)		

COMPONENTS

ILLUSTRATION



N*m (kgf*cm, ft.*lbf): Specified torque ● Non-reusable part ← Apply MP grease

P

