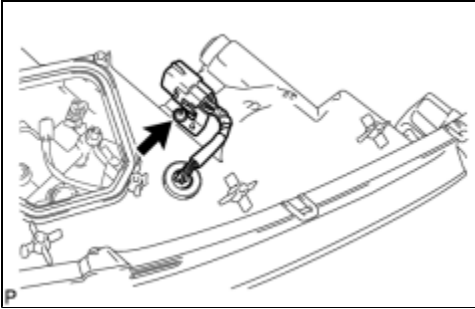


Last Modified: 7-13-2007		1.6 A
Service Category: Vehicle Exterior	Section: Lighting (ext)	
Model Year: 2008	Model: ES350	Doc ID: RM000002CSM002X
Title: LIGHTING: HEADLIGHT ASSEMBLY: REASSEMBLY (2008 ES350)		

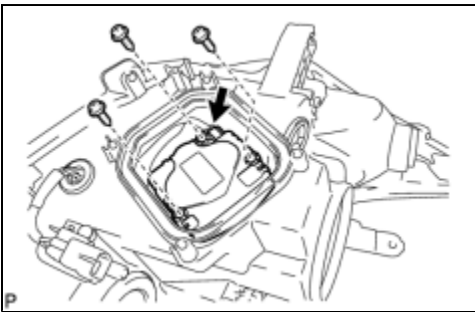
## **REASSEMBLY**

### **1. INSTALL HEADLIGHT CORD (for HID Headlight)**



(a) Install the headlight cord with the screw.

### **2. INSTALL HEADLIGHT SWIVEL MOTOR (for HID Headlight)**



(a) Install the headlight swivel motor with the 3 screws.

(b) Connect the connector.

### **3. INSTALL HEADLIGHT GASKET (for HID Headlight)**

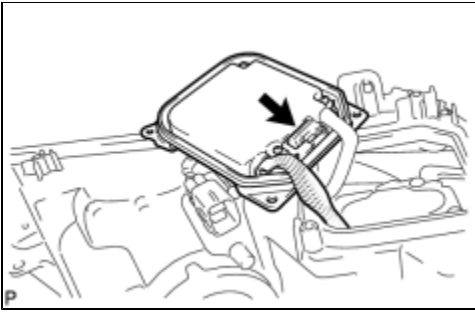
(a) Install a new headlight gasket.

#### **NOTICE:**

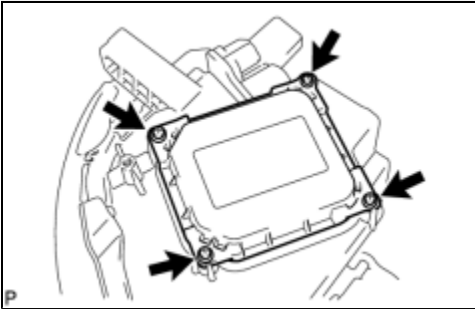
**After the headlight gasket is removed, be sure to replace it with a new one. Failure to do this may cause water ingress.**

### **4. INSTALL LIGHT CONTROL ECU SUB-ASSEMBLY (for HID Headlight)**

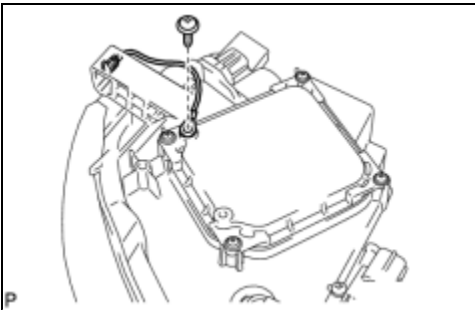
(a) Connect the connector.



(b) Install the headlight control ECU sub-assembly with the 4 screws.



#### 5. INSTALL HEADLIGHT PROTECTOR (for HID Headlight)



(a) Install the headlight protector with the screw.

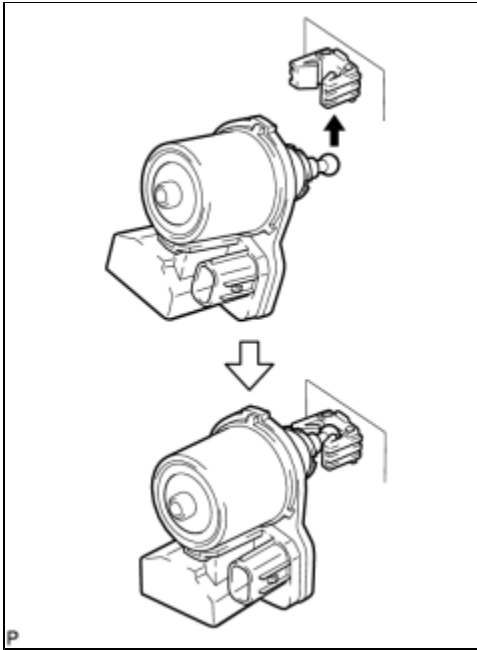
#### 6. INSTALL HEADLIGHT LEVELING MOTOR BASE PACKING (for HID Headlight)

(a) Install a new headlight leveling motor base packing.

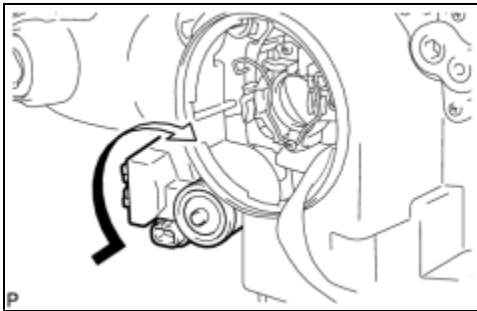
**NOTICE:**

After the headlight leveling motor base packing is removed, be sure to replace it with a new one. Failure to do this may cause water ingress.

#### 7. INSTALL HEADLIGHT LEVELING MOTOR (for HID Headlight)



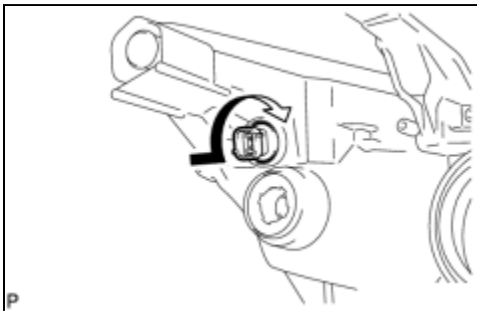
(a) Engage the tip of the headlight leveling motor with the reflector.



(b) Turn the headlight leveling motor to install it.

## 8. INSTALL CLEARANCE LIGHT BULB

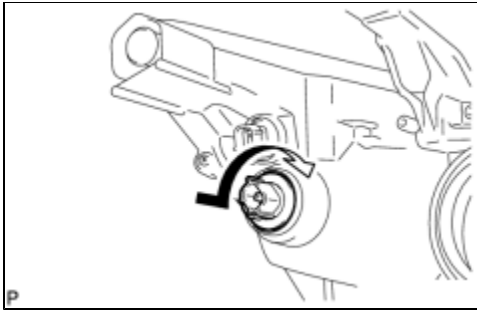
(a) Install the clearance light bulb to the clearance light socket.



(b) Turn the clearance light bulb and clearance light socket in the direction indicated by the arrow and install them as a unit.

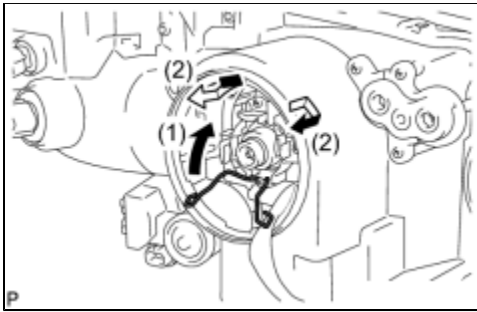
## 9. INSTALL FRONT TURN SIGNAL LIGHT BULB

(a) Install the front turn signal light bulb to the front turn signal light socket.

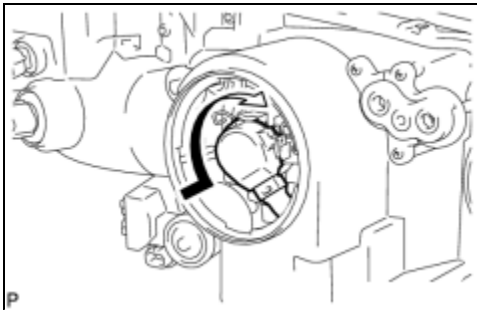


(b) Turn the front turn signal light bulb and front turn signal light socket in the direction indicated by the arrow and install them as a unit.

### 10. INSTALL DISCHARGE HEADLIGHT BULB (for HID Headlight)

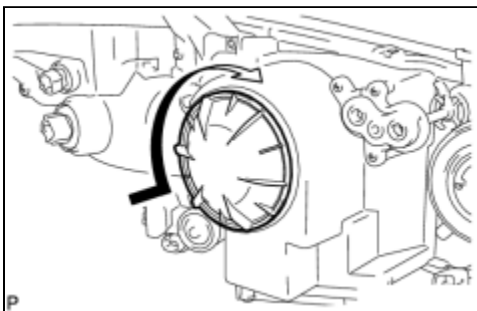


(a) Lock the set spring to install the discharge headlight bulb as shown in the illustration.



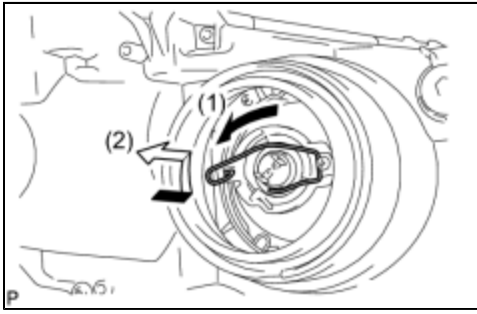
(b) Turn the socket of the light control ECU sub-assembly in the direction indicated by the arrow to connect the socket.

### 11. INSTALL HEADLIGHT SOCKET COVER (for HID Headlight)



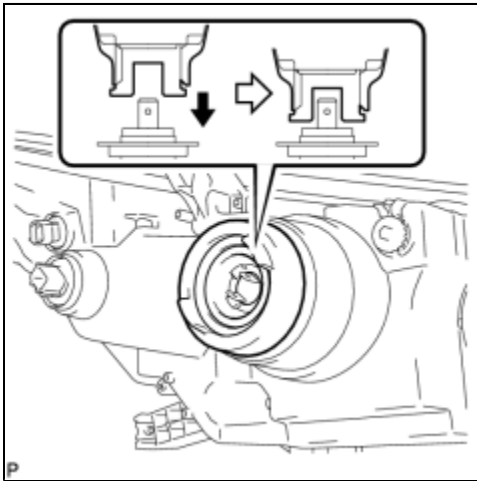
(a) Install the headlight socket cover as shown in the illustration.

### 12. INSTALL NO. 1 HEADLIGHT BULB (for Halogen Headlight)



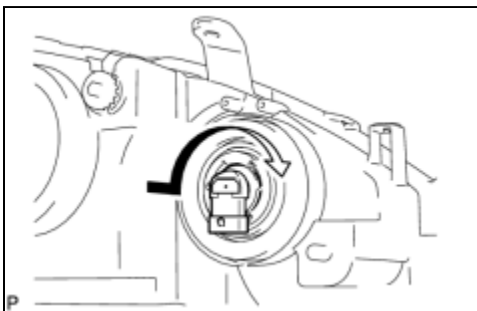
(a) Lock the set spring to install the No. 1 headlight bulb as shown in the illustration.

### 13. INSTALL ADAPTER ASSEMBLY (for Halogen Headlight)



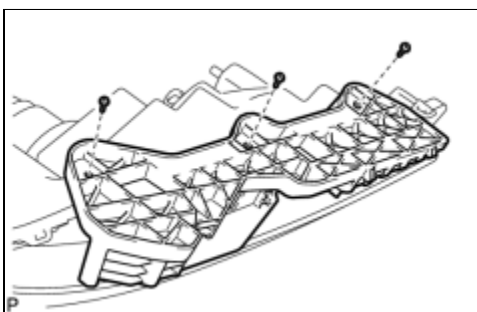
(a) Install the adapter assembly as shown in the illustration.

### 14. INSTALL NO. 2 HEADLIGHT BULB



(a) Install the No. 2 headlight bulb as shown in the illustration.

### 15. INSTALL FRONT BUMPER SIDE SUPPORT



(a) Install the front bumper side support with the 3 screws.

