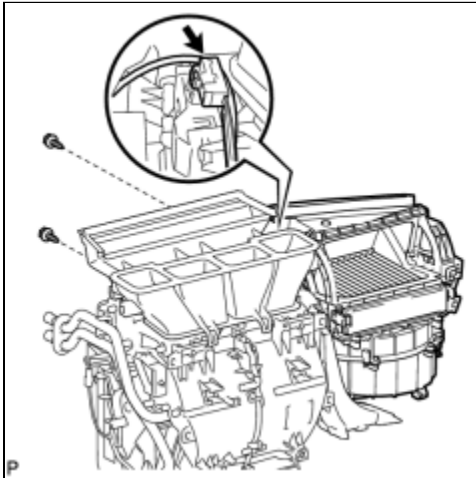


Last Modified: 7-13-2007		1.7 A
Service Category: Vehicle Interior	Section: Heating/Air Conditioning	
Model Year: 2008	Model: ES350	Doc ID: RM000001HLU03UX
Title: AIR CONDITIONING: BLOWER UNIT: INSTALLATION (2008 ES350)		

INSTALLATION

1. INSTALL BLOWER ASSEMBLY



(a) Install the blower assembly with the 2 screws.

(b) Connect the connector.

2. INSTALL INSTRUMENT PANEL REINFORCEMENT ASSEMBLY [INFO](#)

3. INSTALL AIR CONDITIONING AMPLIFIER ASSEMBLY [INFO](#)

4. INSTALL STEERING COLUMN ASSEMBLY [INFO](#)

5. CONNECT STEERING INTERMEDIATE SHAFT ASSEMBLY [INFO](#)

6. INSTALL NO. 1 AIR DUCT SUB-ASSEMBLY [INFO](#)

7. INSTALL REAR NO. 1 AIR DUCT [INFO](#)

8. INSTALL REAR NO. 2 AIR DUCT [INFO](#)

9. INSTALL NO. 1 CONSOLE BOX DUCT [INFO](#)

10. INSTALL NO. 3 CONSOLE BOX DUCT [INFO](#)

11. INSTALL NO. 2 CONSOLE BOX DUCT [INFO](#)

12. INSTALL FLOOR CARPET BRACKET RH

13. INSTALL FLOOR CARPET BRACKET LH

14. INSTALL INSTRUMENT PANEL SAFETY PAD ASSEMBLY (w/o DVD Player) [INFO](#)
15. INSTALL INSTRUMENT PANEL SAFETY PAD ASSEMBLY (w/ DVD Player) [INFO](#)
16. INSTALL ROOM TEMPERATURE SENSOR [INFO](#)
17. CONNECT INSTRUMENT PANEL WIRE ASSEMBLY [INFO](#)
18. INSTALL PUSH START SWITCH [INFO](#)
19. INSTALL NO. 1 INSTRUMENT PANEL MOUNTING BRACKET [INFO](#)
20. INSTALL FRONT STEREO COMPONENT SPEAKER ASSEMBLY [INFO](#)
21. INSTALL NO. 1 SPEAKER HOLE COVER [INFO](#)
22. INSTALL NO. 1 INSTRUMENT PANEL REGISTER ASSEMBLY [INFO](#)
23. INSTALL FRONT NO. 2 SPEAKER ASSEMBLY (for LH Side) [INFO](#)
24. INSTALL NO. 1 INSTRUMENT PANEL SPEAKER PANEL SUB-ASSEMBLY [INFO](#)
25. INSTALL FRONT PILLAR GARNISH LH [INFO](#)
26. INSTALL NO. 3 INSTRUMENT PANEL REGISTER ASSEMBLY [INFO](#)
27. INSTALL FRONT NO. 2 SPEAKER ASSEMBLY (for RH Side) [INFO](#)
28. INSTALL NO. 2 INSTRUMENT PANEL SPEAKER PANEL SUB-ASSEMBLY [INFO](#)
29. INSTALL FRONT PILLAR GARNISH RH [INFO](#)
30. INSTALL REAR CONSOLE BOX ASSEMBLY [INFO](#)
31. INSTALL CONSOLE REAR END PANEL SUB-ASSEMBLY [INFO](#)
32. INSTALL CONSOLE BOX CARPET [INFO](#)
33. INSTALL CONSOLE BOX POCKET [INFO](#)
34. INSTALL HEATER SEAT SWITCH CONSOLE BASE (w/o Seat Heater System) [INFO](#)
35. INSTALL HEATER SEAT SWITCH CONSOLE BASE (w/ Seat Heater System) [INFO](#)
36. INSTALL INTEGRATION CONTROL PANEL WITH RADIO RECEIVER ASSEMBLY (w/o Navigation System) [INFO](#)
37. INSTALL MULTI-DISPLAY WITH RADIO RECEIVER ASSEMBLY (w/ Navigation System) [INFO](#)

38. INSTALL NO. 2 INSTRUMENT PANEL REGISTER ASSEMBLY [INFO](#)
39. INSTALL UPPER CONSOLE PANEL ASSEMBLY WITH FRONT ASH RECEPTACLE [INFO](#)
40. INSTALL SHIFT LEVER KNOB SUB-ASSEMBLY [INFO](#)
41. INSTALL LOWER INSTRUMENT PANEL RH [INFO](#)
42. INSTALL FRONT PASSENGER SIDE KNEE AIRBAG ASSEMBLY [INFO](#)
43. INSTALL SIDE INSTRUMENT PANEL RH [INFO](#)
44. INSTALL NO. 2 INSTRUMENT PANEL UNDER COVER SUB-ASSEMBLY [INFO](#)
45. INSTALL FRONT DOOR OPENING TRIM COVER RH [INFO](#)
46. INSTALL FRONT DOOR SCUFF PLATE RH [INFO](#)
47. INSTALL INSTRUMENT PANEL FINISH PANEL END RH [INFO](#)
48. INSTALL NO. 1 SWITCH HOLE BASE [INFO](#)
49. INSTALL COMBINATION METER ASSEMBLY [INFO](#)
50. INSTALL INSTRUMENT CLUSTER FINISH PANEL SUB-ASSEMBLY [INFO](#)
51. INSTALL TURN SIGNAL SWITCH ASSEMBLY WITH SPIRAL CABLE [INFO](#)
52. INSTALL TILT & TELESCOPIC SWITCH [INFO](#)
53. INSTALL STEERING COLUMN COVER [INFO](#)
54. ADJUST SPIRAL CABLE SUB-ASSEMBLY [INFO](#)
55. INSTALL LOWER INSTRUMENT PANEL SUB-ASSEMBLY [INFO](#)
56. INSTALL INSTRUMENT PANEL FINISH PANEL END LH [INFO](#)
57. INSTALL SIDE INSTRUMENT PANEL LH [INFO](#)
58. INSTALL FRONT DOOR OPENING TRIM COVER LH [INFO](#)
59. INSTALL FRONT DOOR SCUFF PLATE LH [INFO](#)
60. INSTALL STEERING WHEEL ASSEMBLY [INFO](#)
61. INSTALL STEERING PAD [INFO](#)

62. INSTALL LOWER NO. 3 STEERING WHEEL COVER [INFO](#)

63. INSTALL LOWER NO. 2 STEERING WHEEL COVER [INFO](#)

64. INSTALL HEATER INLET WATER HOSE [INFO](#)

65. INSTALL HEATER OUTLET WATER HOSE [INFO](#)

66. INSTALL AIR CONDITIONER TUBE AND ACCESSORY [INFO](#)

67. INSTALL SUCTION HOSE SUB-ASSEMBLY [INFO](#)

68. INSTALL WINDSHIELD WIPER MOTOR AND LINK ASSEMBLY [INFO](#)

69. INSTALL FRONT FENDER TO COWL SIDE SEAL RH [INFO](#)

70. INSTALL FRONT FENDER TO COWL SIDE SEAL LH [INFO](#)

71. INSTALL COWL TOP VENTILATOR LOUVER SUB-ASSEMBLY [INFO](#)

72. INSTALL FRONT WIPER ARM AND BLADE ASSEMBLY LH [INFO](#)

73. INSTALL FRONT WIPER ARM AND BLADE ASSEMBLY RH [INFO](#)

74. CONNECT CABLE TO NEGATIVE BATTERY TERMINAL

75. INSPECT STEERING PAD [INFO](#)

76. INSPECT FRONT PASSENGER SIDE KNEE AIRBAG ASSEMBLY [INFO](#)

77. INSPECT SRS WARNING LIGHT

(a) Inspect the SRS warning light [INFO](#) .

78. PERFORM INITIALIZATION

NOTICE:

Some systems need initialization after reconnecting the negative battery terminal [INFO](#) .

79. ADD ENGINE COOLANT [INFO](#)

80. CHECK FOR ENGINE COOLANT LEAKS

81. CHARGE WITH REFRIGERANT [INFO](#)

82. WARM UP COMPRESSOR [INFO](#)

83. CHECK FOR REFRIGERANT LEAKS [INFO](#)

84. INSTALL ENGINE ROOM SIDE COVER RH [INFO](#)

85. INSTALL ENGINE ROOM SIDE COVER LH 

86. INSTALL HOOD HINGE COVER (for RH Side) 

87. INSTALL HOOD HINGE COVER (for LH Side) 

88. INSTALL COOL AIR INTAKE DUCT SEAL 

