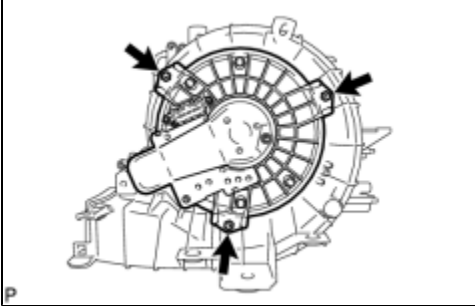


Last Modified: 7-13-2007		1.7 A
Service Category: Vehicle Interior	Section: Heating/Air Conditioning	
Model Year: 2008	Model: ES350	Doc ID: RM0000027DY00KX
Title: AIR CONDITIONING: BLOWER UNIT: REASSEMBLY (2008 ES350)		

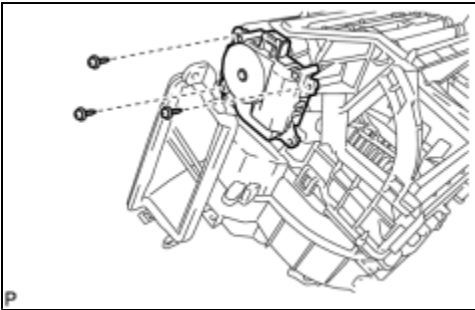
REASSEMBLY

1. INSTALL BLOWER WITH FAN MOTOR SUB-ASSEMBLY



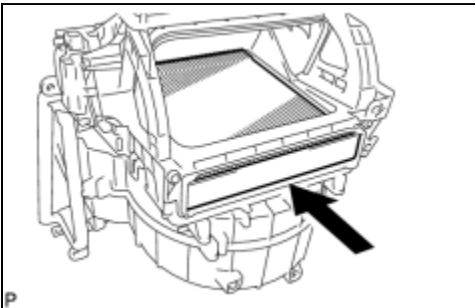
(a) Install the blower with fan motor sub-assembly with the 3 screws.

2. INSTALL AIR INLET SERVO MOTOR



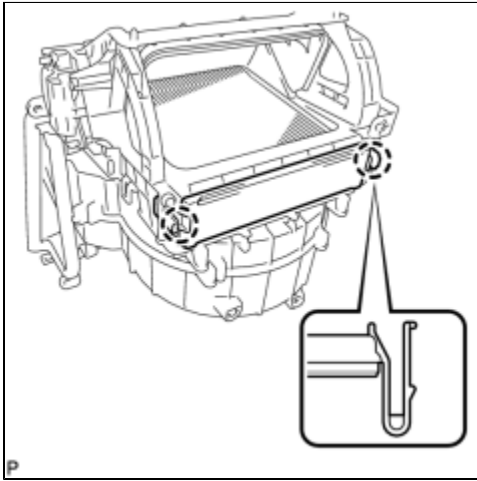
(a) Install the air inlet servo motor with the 3 screws.

3. INSTALL CLEAN AIR FILTER



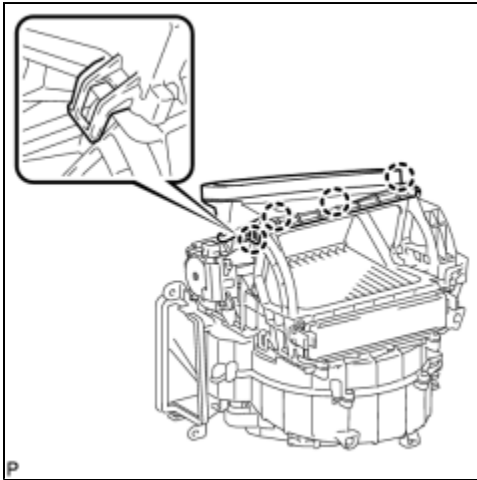
(a) Install the clean air filter as shown in the illustration.

4. INSTALL AIR FILTER COVER PLATE



(a) Engage the 2 claws to install the air filter cover plate.

5. INSTALL AIR DUCT SUB-ASSEMBLY



(a) Engage the 4 claws to install the air duct sub-assembly.

