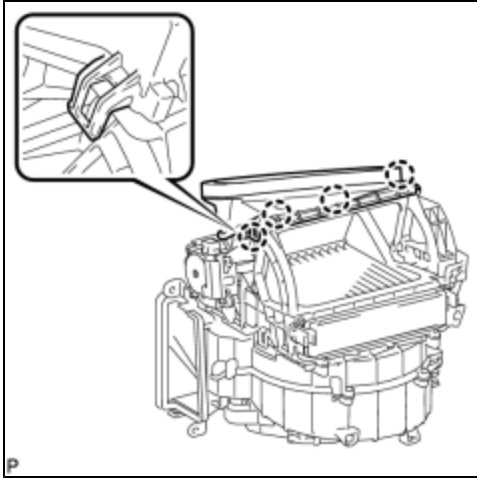


Last Modified: 7-13-2007		1.7 A
Service Category: Vehicle Interior	Section: Heating/Air Conditioning	
Model Year: 2008	Model: ES350	Doc ID: RM0000027DX00KX
Title: AIR CONDITIONING: BLOWER UNIT: DISASSEMBLY (2008 ES350)		

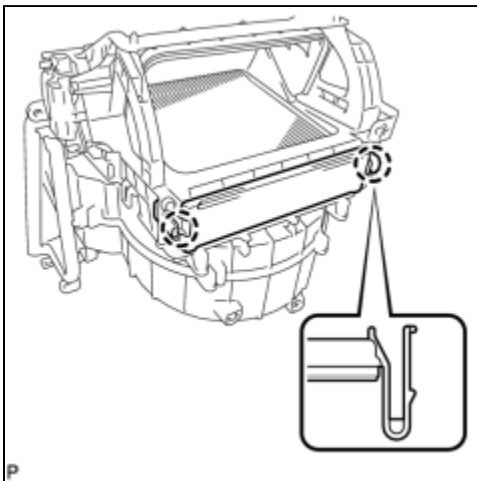
DISASSEMBLY

1. REMOVE AIR DUCT SUB-ASSEMBLY



(a) Release the 4 claws and remove the air duct sub-assembly.

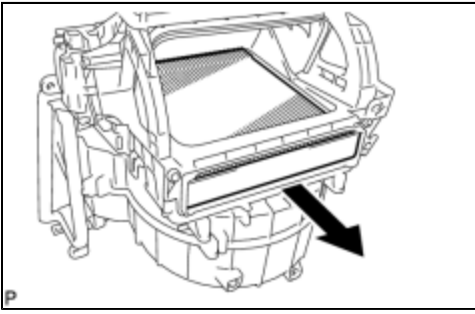
2. REMOVE AIR FILTER COVER PLATE



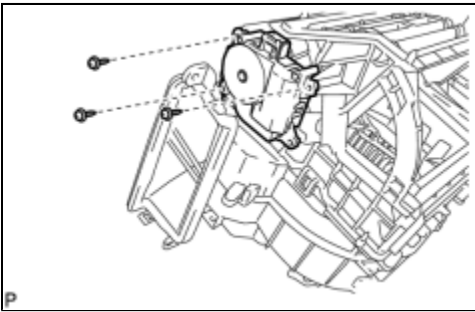
(a) Release the 2 claws and remove the air filter cover plate.

3. REMOVE CLEAN AIR FILTER

(a) Remove the clean air filter as shown in the illustration.

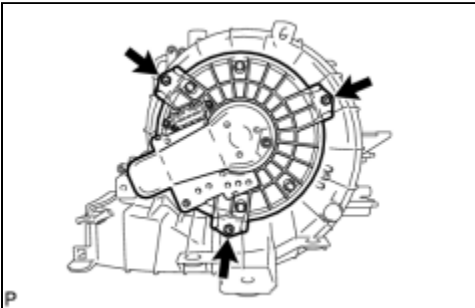


4. REMOVE AIR INLET SERVO MOTOR



(a) Remove the 3 screws and air inlet servo motor.

5. REMOVE BLOWER WITH FAN MOTOR SUB-ASSEMBLY



(a) Remove the 3 screws and blower with fan motor sub-assembly.