

Last Modified: 7-13-2007		1.7 A
Service Category: Vehicle Interior	Section: Heating/Air Conditioning	
Model Year: 2008	Model: ES350	Doc ID: RM000001HLW03QX
Title: AIR CONDITIONING: BLOWER UNIT: REMOVAL (2008 ES350)		

## REMOVAL

1. RECOVER REFRIGERANT FROM REFRIGERATION SYSTEM [INFO](#)

2. ALIGN FRONT WHEELS FACING STRAIGHT AHEAD

3. DISCONNECT BATTERY NEGATIVE TERMINAL

### NOTICE:

Wait for 90 seconds after disconnecting the terminal to prevent the airbag from deploying [INFO](#) .

4. REMOVE COOL AIR INTAKE DUCT SEAL [INFO](#)

5. REMOVE HOOD HINGE COVER (for LH Side) [INFO](#)

6. REMOVE HOOD HINGE COVER (for RH Side) [INFO](#)

7. REMOVE ENGINE ROOM SIDE COVER LH [INFO](#)

8. REMOVE ENGINE ROOM SIDE COVER RH [INFO](#)

9. REMOVE AIR CLEANER CAP SUB-ASSEMBLY [INFO](#)

10. REMOVE AIR CLEANER FILTER ELEMENT SUB-ASSEMBLY

11. REMOVE FRONT SUSPENSION UPPER CENTER BRACE [INFO](#)

12. REMOVE FRONT WIPER ARM AND BLADE ASSEMBLY LH [INFO](#)

13. REMOVE FRONT WIPER ARM AND BLADE ASSEMBLY RH [INFO](#)

14. REMOVE COWL TOP VENTILATOR LOUVER SUB-ASSEMBLY [INFO](#)

15. REMOVE WINDSHIELD WIPER MOTOR AND LINK ASSEMBLY [INFO](#)

16. DISCONNECT SUCTION PIPE SUB-ASSEMBLY [INFO](#)

17. DISCONNECT AIR CONDITIONER TUBE AND ACCESSORY [INFO](#)

18. DISCONNECT HEATER OUTLET WATER HOSE [INFO](#)

19. DISCONNECT HEATER INLET WATER HOSE [INFO](#)

20. REMOVE LOWER NO. 3 STEERING WHEEL COVER [INFO](#)
21. REMOVE LOWER NO. 2 STEERING WHEEL COVER [INFO](#)
22. REMOVE STEERING PAD [INFO](#)
23. REMOVE STEERING WHEEL ASSEMBLY [INFO](#)
24. REMOVE FRONT DOOR SCUFF PLATE LH [INFO](#)
25. REMOVE FRONT DOOR OPENING TRIM COVER LH [INFO](#)
26. REMOVE SIDE INSTRUMENT PANEL LH [INFO](#)
27. REMOVE INSTRUMENT PANEL FINISH PANEL END LH [INFO](#)
28. REMOVE LOWER INSTRUMENT PANEL SUB-ASSEMBLY [INFO](#)
29. REMOVE STEERING COLUMN COVER [INFO](#)
30. REMOVE TURN SIGNAL SWITCH ASSEMBLY WITH SPIRAL CABLE SUB-ASSEMBLY [INFO](#)
31. REMOVE TILT & TELESCOPIC SWITCH [INFO](#)
32. REMOVE INSTRUMENT CLUSTER FINISH PANEL SUB-ASSEMBLY [INFO](#)
33. REMOVE COMBINATION METER ASSEMBLY [INFO](#)
34. REMOVE NO. 1 SWITCH HOLE BASE [INFO](#)
35. REMOVE INSTRUMENT PANEL FINISH PANEL END RH [INFO](#)
36. REMOVE FRONT DOOR SCUFF PLATE RH [INFO](#)
37. REMOVE FRONT DOOR OPENING TRIM COVER RH [INFO](#)
38. REMOVE NO. 2 INSTRUMENT PANEL UNDER COVER SUB-ASSEMBLY [INFO](#)
39. REMOVE SIDE INSTRUMENT PANEL RH [INFO](#)
40. REMOVE FRONT PASSENGER SIDE KNEE AIRBAG ASSEMBLY [INFO](#)
41. REMOVE LOWER INSTRUMENT PANEL RH [INFO](#)
42. REMOVE SHIFT LEVER KNOB SUB-ASSEMBLY [INFO](#)
43. REMOVE UPPER CONSOLE PANEL ASSEMBLY WITH FRONT ASH RECEPTACLE [INFO](#)

44. REMOVE NO. 2 INSTRUMENT PANEL REGISTER ASSEMBLY [INFO](#)
45. REMOVE INTEGRATION CONTROL PANEL WITH RADIO RECEIVER ASSEMBLY (w/o Navigation System) [INFO](#)
46. REMOVE MULTI-DISPLAY WITH RADIO RECEIVER ASSEMBLY (w/ Navigation System) [INFO](#)
47. REMOVE HEATER SEAT SWITCH CONSOLE BASE (w/o Seat Heater System) [INFO](#)
48. REMOVE HEATER SEAT SWITCH CONSOLE BASE (w/ Seat Heater System) [INFO](#)
49. REMOVE CONSOLE BOX POCKET [INFO](#)
50. REMOVE CONSOLE BOX CARPET [INFO](#)
51. REMOVE CONSOLE REAR END PANEL SUB-ASSEMBLY [INFO](#)
52. REMOVE REAR CONSOLE BOX ASSEMBLY [INFO](#)
53. REMOVE FRONT PILLAR GARNISH LH [INFO](#)
54. REMOVE NO. 1 INSTRUMENT PANEL SPEAKER PANEL SUB-ASSEMBLY [INFO](#)
55. REMOVE FRONT NO. 2 SPEAKER ASSEMBLY (for LH Side) [INFO](#)
56. REMOVE NO. 1 INSTRUMENT PANEL REGISTER ASSEMBLY [INFO](#)
57. REMOVE FRONT PILLAR GARNISH RH [INFO](#)
58. REMOVE NO. 2 INSTRUMENT PANEL SPEAKER PANEL SUB-ASSEMBLY [INFO](#)
59. REMOVE FRONT NO. 2 SPEAKER ASSEMBLY (for RH Side) [INFO](#)
60. REMOVE NO. 3 INSTRUMENT PANEL REGISTER ASSEMBLY [INFO](#)
61. REMOVE NO. 1 SPEAKER HOLE COVER [INFO](#)
62. REMOVE FRONT STEREO COMPONENT SPEAKER ASSEMBLY [INFO](#)
63. REMOVE NO. 1 INSTRUMENT PANEL MOUNTING BRACKET [INFO](#)
64. REMOVE PUSH START SWITCH [INFO](#)
65. DISCONNECT INSTRUMENT PANEL WIRE ASSEMBLY [INFO](#)
66. REMOVE ROOM TEMPERATURE SENSOR [INFO](#)
67. REMOVE INSTRUMENT PANEL SAFETY PAD ASSEMBLY (w/o DVD Player) [INFO](#)

68. REMOVE INSTRUMENT PANEL SAFETY PAD ASSEMBLY (w/ DVD Player) [INFO](#)

69. REMOVE FLOOR CARPET BRACKET LH [INFO](#)

70. REMOVE FLOOR CARPET BRACKET RH [INFO](#)

71. REMOVE NO. 2 CONSOLE BOX DUCT [INFO](#)

72. REMOVE NO. 3 CONSOLE BOX DUCT [INFO](#)

73. REMOVE NO. 1 CONSOLE BOX DUCT [INFO](#)

74. REMOVE REAR NO. 2 AIR DUCT [INFO](#)

75. REMOVE REAR NO. 1 AIR DUCT [INFO](#)

76. REMOVE NO. 1 AIR DUCT SUB-ASSEMBLY [INFO](#)

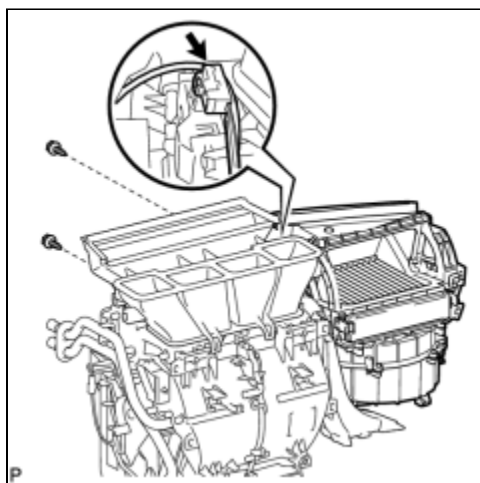
77. SEPARATE STEERING INTERMEDIATE SHAFT ASSEMBLY [INFO](#)

78. REMOVE STEERING COLUMN ASSEMBLY [INFO](#)

79. REMOVE AIR CONDITIONING AMPLIFIER ASSEMBLY [INFO](#)

80. REMOVE INSTRUMENT PANEL REINFORCEMENT ASSEMBLY [INFO](#)

81. REMOVE BLOWER ASSEMBLY



(a) Disconnect the connector.

(b) Remove the 2 screws and blower assembly.

