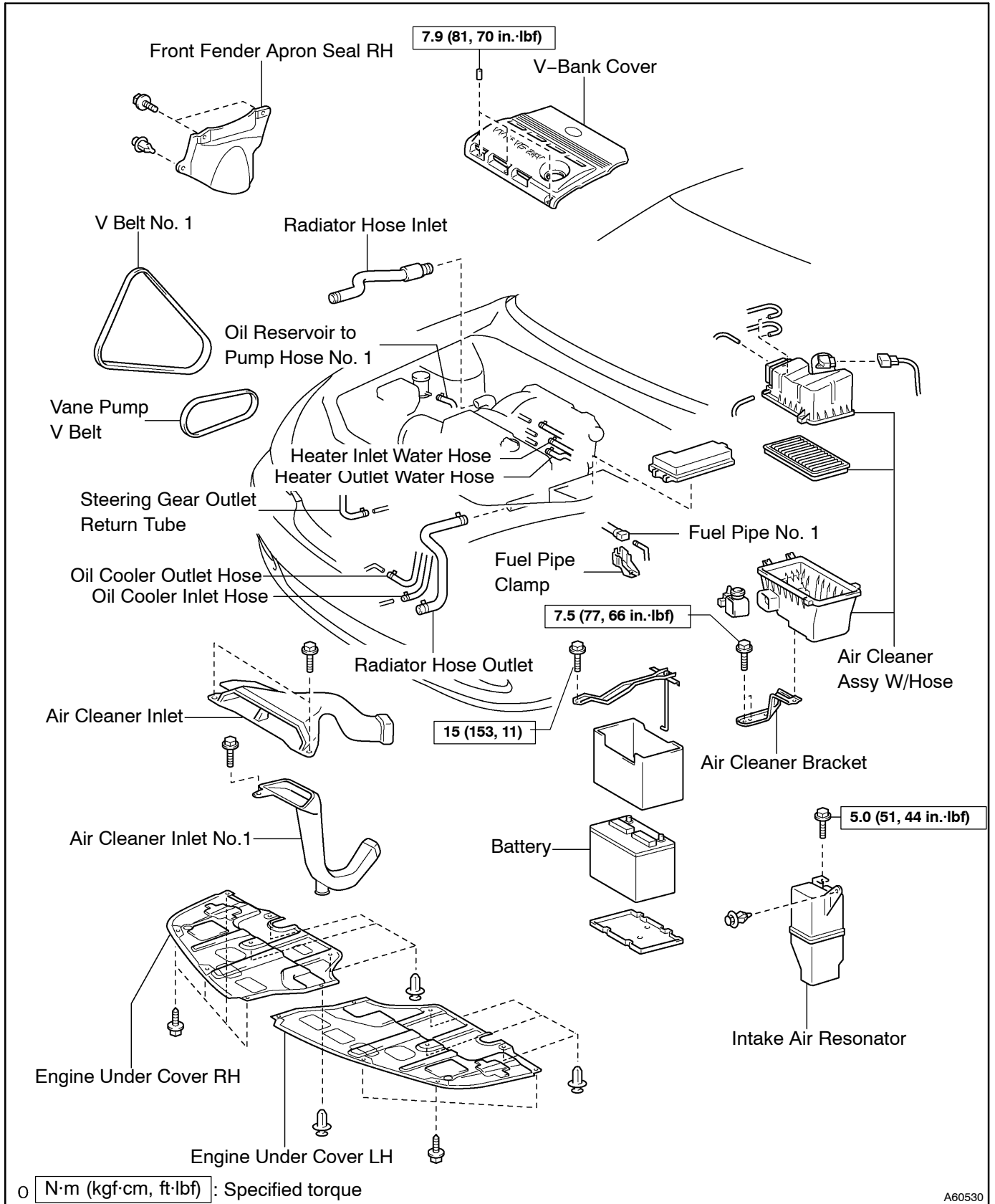
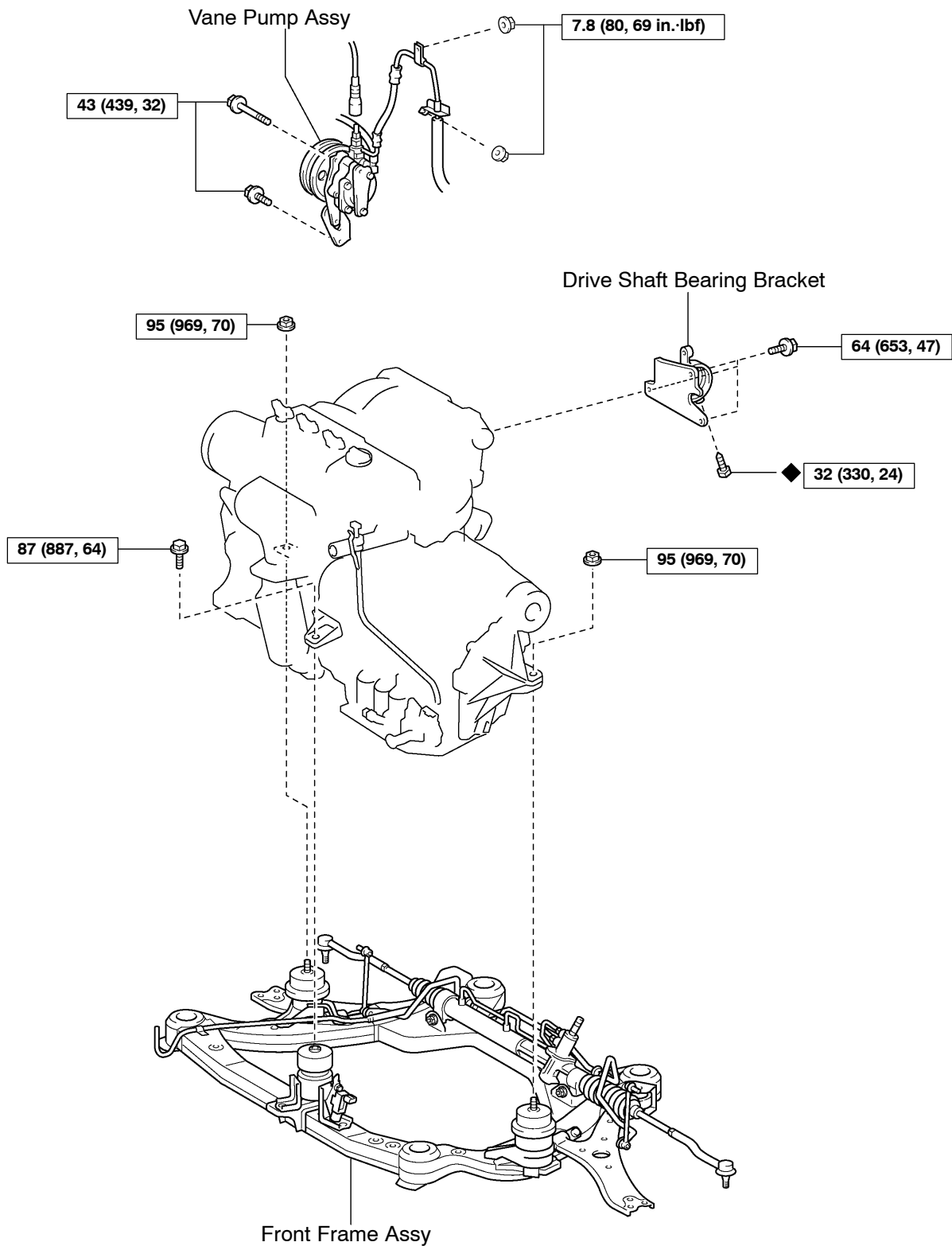


# PARTIAL ENGINE ASSY COMPONENTS

1405M-03



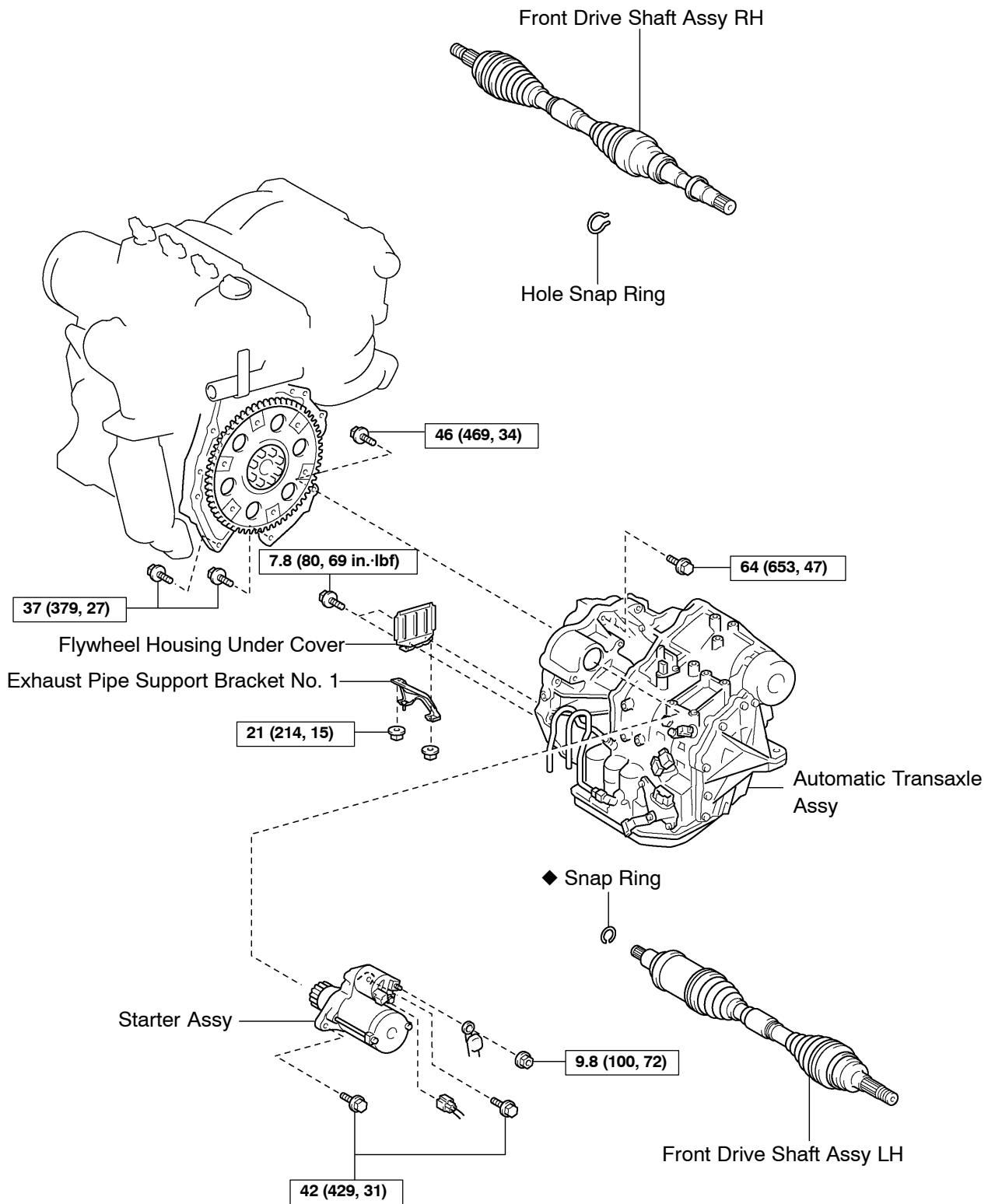




N·m (kgf·cm, ft·lbf) : Specified torque

◆ Non-reusable part

A62393

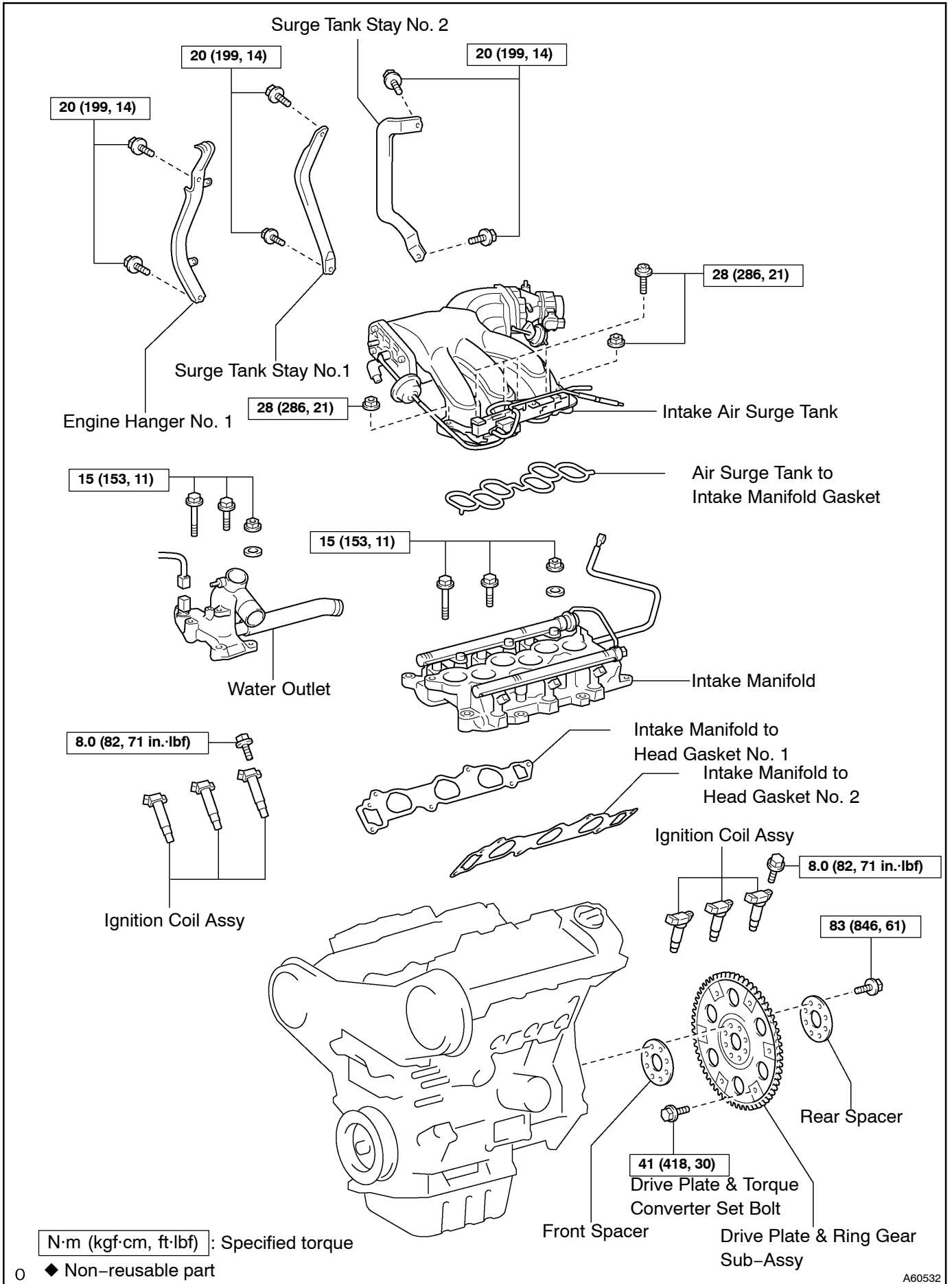


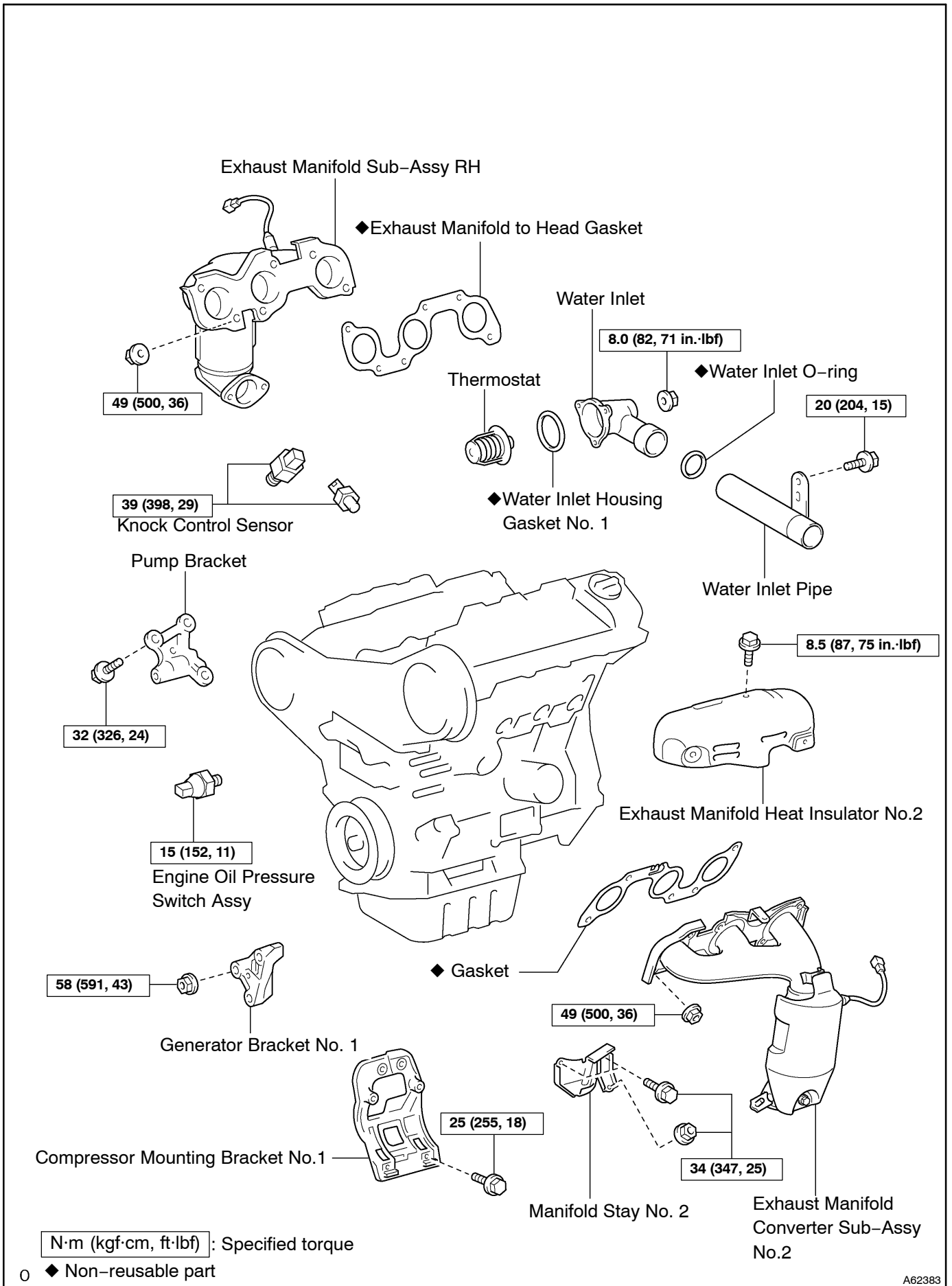
N·m (kgf·cm, ft·lbf) : Specified torque

◆ Non-reusable part

0

A60468





A62383