

# TROUBLESHOOTING

SAODT-03

## PROBLEM SYMPTOMS TABLE

Use the table below to help you find the cause of the problem. The numbers indicate the priority of the likely cause of the problem. Check each part in order. If necessary, replace these parts.

Symptom	Suspect Area	See page
Wander/pulls	<ol style="list-style-type: none"> <li>1. Tire (Worn or improperly inflated)</li> <li>2. Wheel alignment (Incorrect)</li> <li>3. Steering linkage (Loosen or worn)</li> <li>4. Hub bearings (Worn)</li> <li>5. Steering gear (Out of adjustment or broken)</li> <li>6. Suspension parts (Worn)</li> </ol>	<p>SA-2 SA-4 SA-7 – SA-8 SA-45 – –</p>
Bottoming	<ol style="list-style-type: none"> <li>1. Vehicle (Overloaded)</li> <li>2. Spring (Weak)</li> <li>3. Shock absorber (Worn out)</li> </ol>	<p>– SA-24 SA-50 SA-28 SA-54</p>
Sways/pitches	<ol style="list-style-type: none"> <li>1. Tire (Worn or improperly inflated)</li> <li>2. Stabilizer bar (Bent or broken)</li> <li>3. Shock absorber (Worn out)</li> </ol>	<p>SA-2 SA-41 SA-64 SA-28 SA-54</p>
Front wheel shimmy	<ol style="list-style-type: none"> <li>1. Tire (Worn or improperly inflated)</li> <li>2. Wheels (Out of balance)</li> <li>3. Shock absorber (Worn out)</li> <li>4. Wheel alignment (Incorrect)</li> <li>5. Ball joints (Worn)</li> <li>6. Hub bearings (Worn)</li> <li>7. Steering linkage (Loosen or worn)</li> <li>8. Steering gear (Out of adjustment or broken)</li> </ol>	<p>SA-2 SA-2 SA-28 SA-4 SA-39 SA-8 – –</p>
Abnormal tire wear	<ol style="list-style-type: none"> <li>1. Tire (Worn or improperly inflated)</li> <li>2. Wheels (Out of balance)</li> <li>3. Suspension parts (Worn)</li> <li>4. Shock absorber (Worn out)</li> </ol>	<p>SA-2 SA-2 – SA-28 SA-54</p>

# TIRE AND WHEEL INSPECTION

SA0DU-01

## 1. INSPECT TIRE

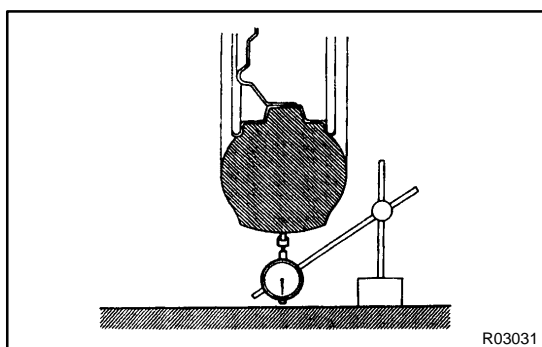
- (a) Check the tires for wear and for the proper inflation pressure.

**Cold inflation pressure:**

Tire size	Front, Rear kPa (kgf/cm <sup>2</sup> or bar, psi)
P205/65R15 92H	*1 180 (1.8, 26) *2 220 (2.2, 32)

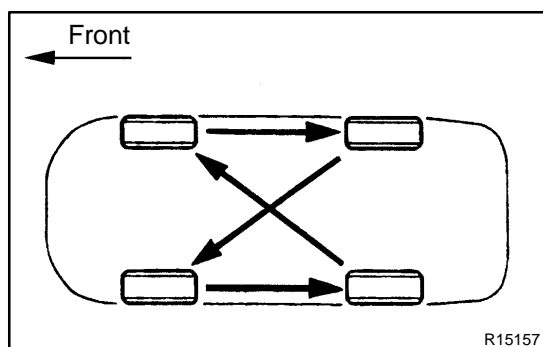
\*1: For all loads including full rated loads

\*2: For reduced loads (1 to 4 passengers)



- (b) Check the tire runout.

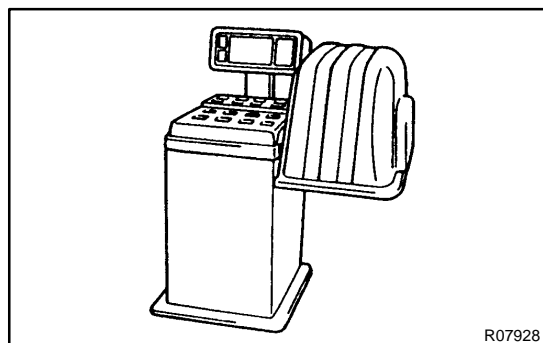
**Tire runout: 1.0 mm (0.039 in.) or less**



## 2. ROTATING TIRES

HINT:

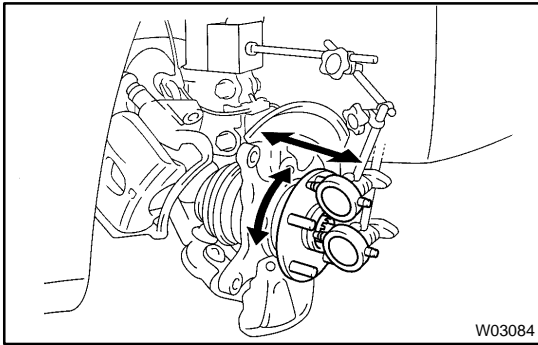
See the illustration for where to rotate each tire.



## 3. INSPECT WHEEL BALANCE

- (a) Check and adjust the Off-the-car balance.  
(b) If necessary, check and adjust the On-the-car balance.

**Unbalance after adjustment: 8.0 g (0.018 lb) or less**



#### 4. CHECK WHEEL BEARING LOOSENESS

- (a) Check the backlash in the bearing shaft direction.  
**Maximum: 0.05 mm (0.0020 in.)**
- (b) Check the axle hub deviation.  
**Maximum: 0.05 mm (0.0020 in.)**

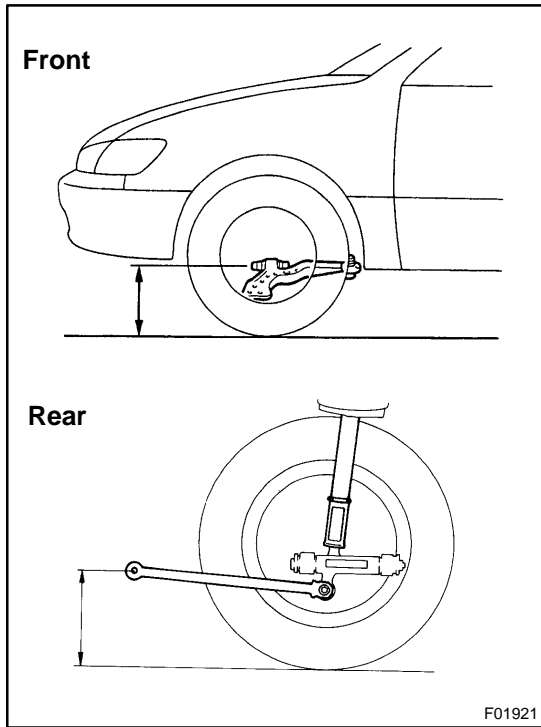
#### 5. CHECK FRONT SUSPENSION FOR LOOSENESS

#### 6. CHECK STEERING LINKAGE FOR LOOSENESS

#### 7. CHECK BALL JOINT FOR LOOSENESS

#### 8. CHECK SHOCK ABSORBER WORKS PROPERLY

- ◆ Check for oil leaks
- ◆ Check mounting bushings for wear
- ◆ Bounce front and rear of the vehicle



# FRONT WHEEL ALIGNMENT INSPECTION

SA0DV-04

## 1. MEASURE VEHICLE HEIGHT

Tire size	Front* <sup>1</sup> mm (in.)	Rear* <sup>2</sup> mm (in.)
205/65R15	213 (8.39)	259 (10.20)

### \*1: Front measuring point

Measure from the ground to the center of the front side lower suspension arm mounting bolt.

### \*2: Rear measuring point

Measure from the ground to the center of the front side strut rod mounting bolt.

### NOTICE:

**Before inspecting the wheel alignment, adjust the vehicle height to the specification.**

If the vehicle height is not to the specification, try to adjust it by pushing down on or lifting the body.

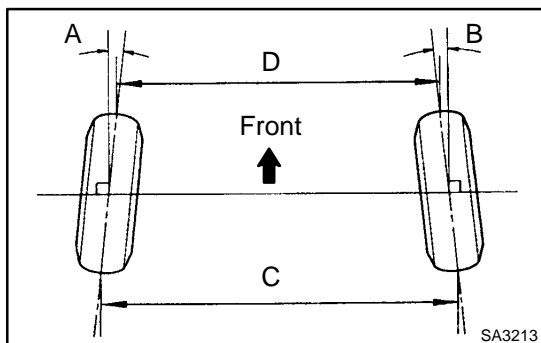
## 2. INSTALL CAMBER-CASTER-KINGPIN GAUGE ONTO VEHICLE OR POSITION VEHICLE ON WHEEL ALIGNMENT TESTER

Follow the specific instructions of the equipment manufacturer.

## 3. INSPECT CAMBER, CASTER AND STEERING AXIS INCLINATION

Camber	Left-right error	$-0^{\circ}37' \pm 45'$ ( $-0.62^{\circ} \pm 0.75^{\circ}$ ) 45' (0.75°) or less
Caster	Left-right error	$2^{\circ}18' \pm 45'$ ( $2.30^{\circ} \pm 0.75^{\circ}$ ) 45' (0.75°) or less
Steering axis inclination	Left-right error	$13^{\circ}04' \pm 45'$ ( $13.07^{\circ} \pm 0.75^{\circ}$ ) 45' (0.75°) or less

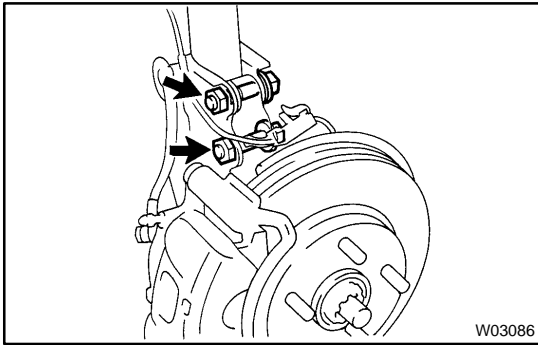
If the caster and steering axis inclination are not within the specification, after the camber has correctly adjusted, recheck the suspension parts for damaged and/or worn out parts.



## 4. INSPECT TOE-IN

Toe-in (total)	A + B: $0^{\circ} \pm 12'$ ( $0^{\circ} \pm 0.2^{\circ}$ ) C - D: $0 \pm 2$ mm ( $0 \pm 0.08$ in.)
----------------	---

If the toe-in is not within the specification, adjust it at the rack ends.

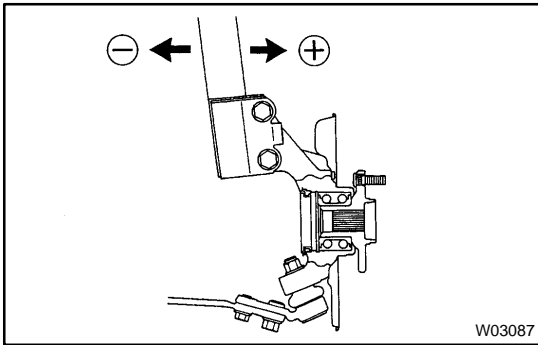


**5. ADJUST CAMBER**

**NOTICE:**

**After the camber has been adjusted, inspect the toe-in.**

- (a) Remove the front wheels and speed sensor clamp.
- (b) Remove the 2 nuts on the lower side of the shock absorber.
- (c) Coat the threads of the nuts with engine oil.
- (d) Temporarily install the 2 nuts.



- (e) Adjust the camber by pushing or pulling the lower side of the shock absorber in the direction in which the camber adjustment is required.

- (f) Tighten the nuts.

**Torque: 211 N·m (2,150 kgf·cm, 156 ft·lbf)**

- (g) Install the front wheels.

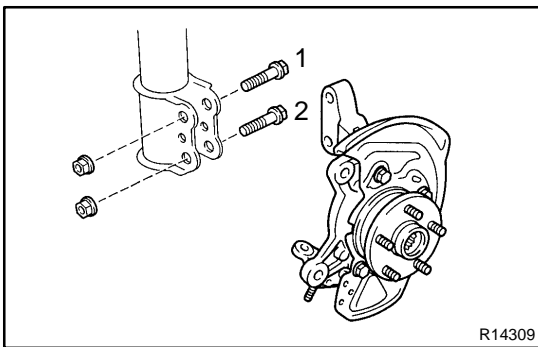
**Torque: 103 N·m (1,050 kgf·cm, 76 ft·lbf)**

- (h) Check the camber.

**HINT:**

- ◆ Try to adjust the camber to the center value.
- ◆ Adjusting value for the set bolts is 6' – 30' (0.1° – 0.5°).

If the camber is not within the specification, using the table below, estimate of how much additional camber adjustment will be required, and select the camber adjusting bolt.



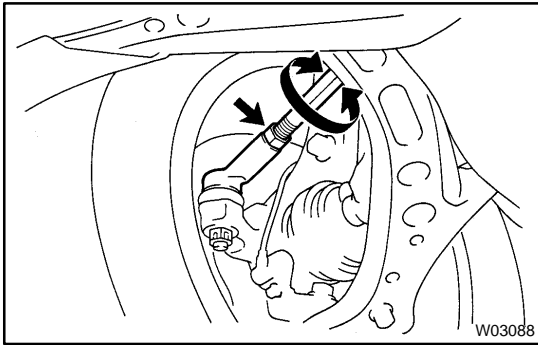
Bolt	Set Bolt		Adjusting Bolt					
	90105-17001		90105-17003		90105-17004		90105-17005	
			1 Dot		2 Dots		3 Dots	
Adjusting Value								
	1	2	1	2	1	2	1	2
15'	●			●				
30'	●					●		
45'	●							●
1°00'			●					●
1°15'					●			●
1°30'							●	●

F01195

- (i) Do the above mentioned steps again. Between step (b) and (c), exchange 1 or 2 selected bolts.

**HINT:**

When exchange 2 bolts, exchange 1 bolt for each time.

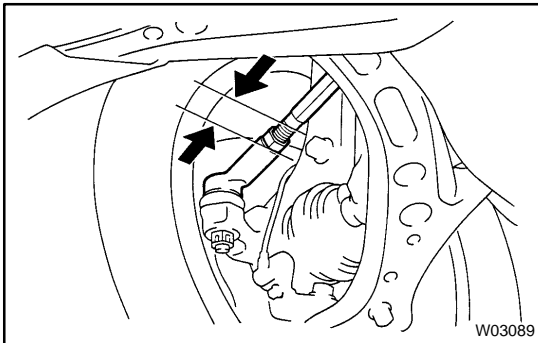


## 6. ADJUST TOE-IN

- Remove the boot clamps.
- Loosen the tie rod end lock nuts.
- Turn the left and right tie rod ends an equal amount to adjust the toe-in.

### HINT:

- ◆ Try to adjust the toe-in to the center value.



- ◆ Make sure that the length of the left and right tie rod ends length are the same.

### Tie rod end length difference:

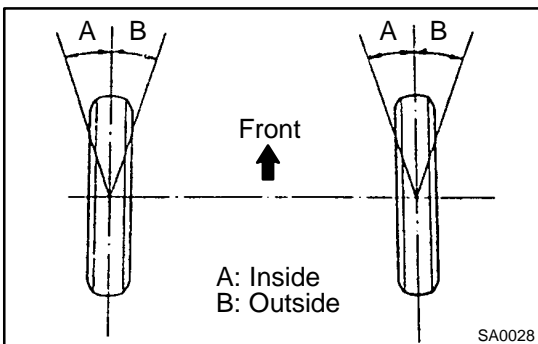
**1.5 mm (0.059 in.) or less**

- Torque the tie rod end lock nuts.
- Place the boot on the seat and install the clip it.

**Torque: 74 N·m (750 kgf·cm, 54 ft·lbf)**

### HINT:

Make sure that the boots are not twisted.



## 7. INSPECT WHEEL ANGLE

Turn the steering wheel fully, and measure the turning angle.

Inside wheel	Outside wheel (Reference)
$35^{\circ}47' \pm 2^{\circ}$	$31^{\circ}25'$

If the wheel angles differ from the specification, check the left and right tie rod end length.

# REAR WHEEL ALIGNMENT INSPECTION

SA00W-03

## 1. MEASURE VEHICLE HEIGHT (See page SA-4)

### NOTICE:

Before inspecting the wheel alignment, adjust the vehicle height to the specification.

## 2. INSTALL CAMBER – CASTER – KINGPIN GAUGE ONTO VEHICLE OR POSITION VEHICLE ON WHEEL ALIGNMENT TESTER

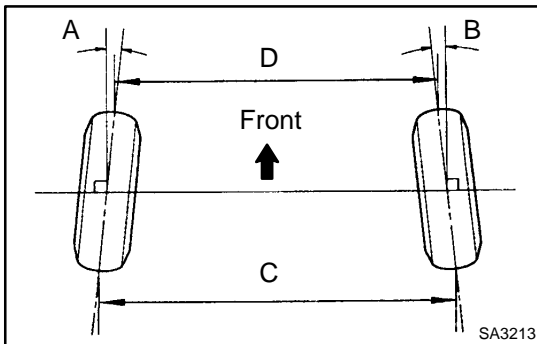
Follow the specific instructions on the equipment manufacturer.

## 3. INSPECT CAMBER

Camber	$-0^{\circ}48' \pm 45'$ ( $-0.80^{\circ} \pm 0.75^{\circ}$ )
Left-right error	45' ( $0.75^{\circ}$ ) or less

### HINT:

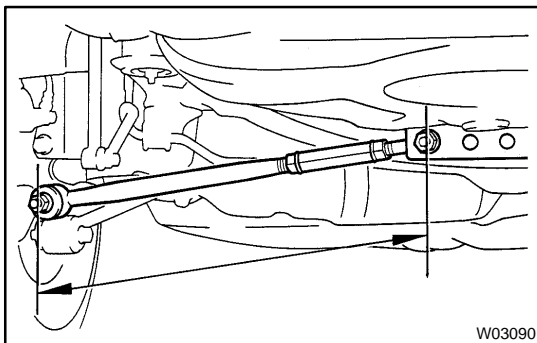
Camber is not adjustable, its measurement is not within the specification, inspect the suspension parts for damaged and/or worn-out parts and replace them if necessary.



## 4. INSPECT TOE-IN

Toe-in (total)	A + B: $0^{\circ}24' \pm 12'$ ( $0.4^{\circ} \pm 0.2^{\circ}$ ) C - D: $4 \pm 2$ mm ( $0.16 \pm 0.08$ in.)
----------------	---

If the toe-in is not within the specification, adjust it at the No.2 lower suspension arm.

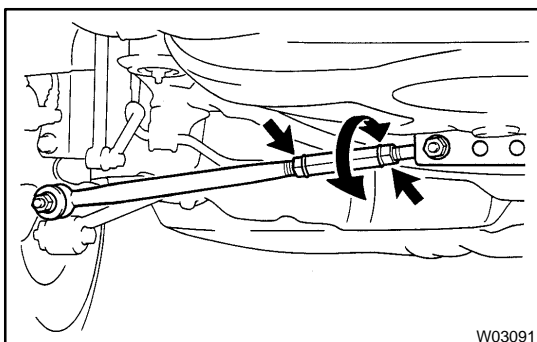


## 5. ADJUST TOE-IN

- (a) Measure the length of the left and right No.2 lower suspension arms.

**No.2 lower suspension arm length difference:  
1 mm (0.04 in.) or less**

If the left-right difference is greater than the specification, adjust the length.



- (b) Loosen the lock nuts.  
(c) Turn the left and right lower suspension arms an equal amount to adjust toe-in.

### HINT:

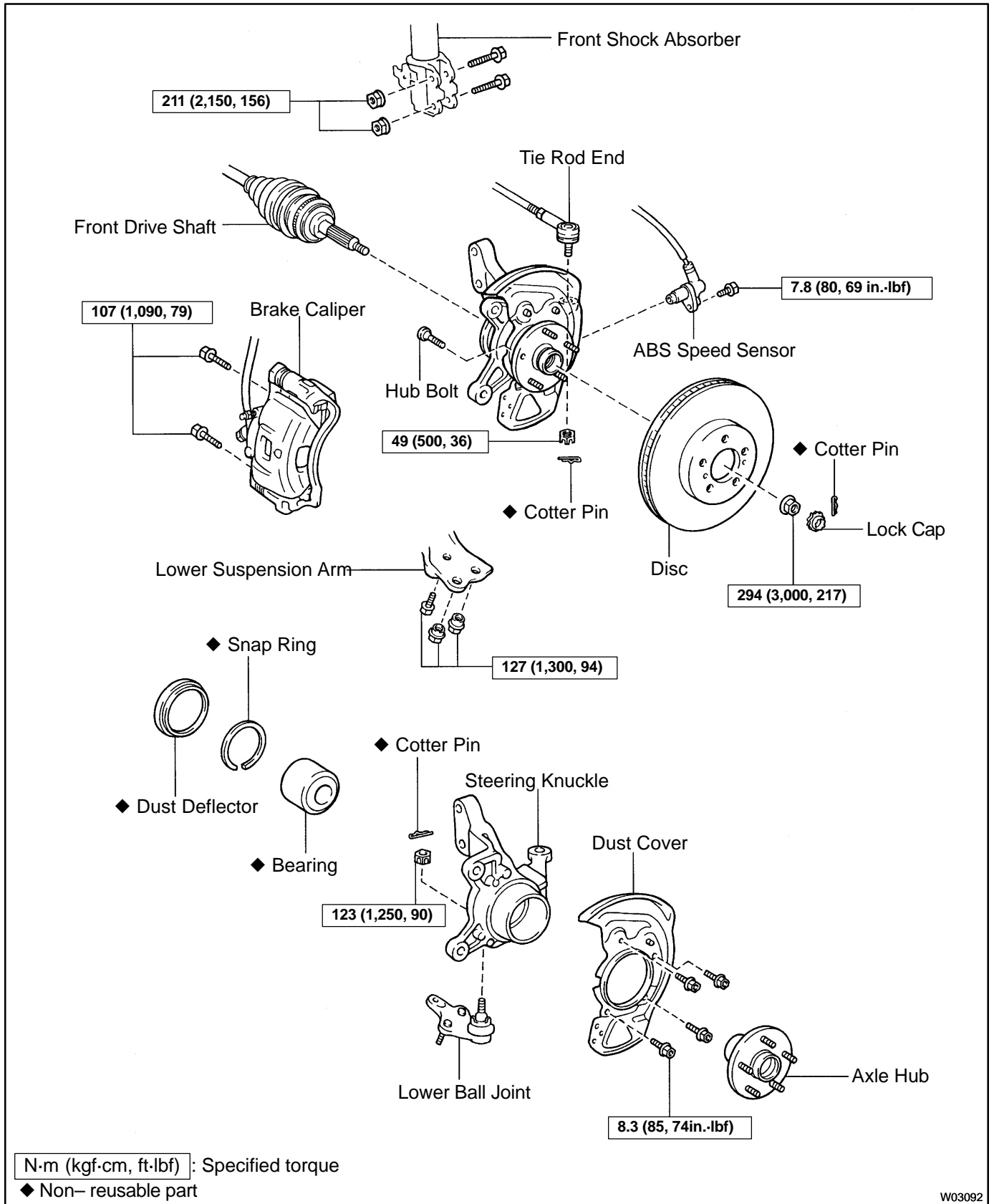
- ◆ Try to adjust the toe-in to the center value.
- ◆ One turn of the each adjusting tube will adjust the toe-in about  $36'$  ( $0.6^{\circ}$ , 6.7 mm, 0.264 in.).

- (d) Torque the lock nuts.

**Torque: 56 N·m (570 kgf-cm, 41 ft-lbf)**

# FRONT AXLE HUB COMPONENTS

SAADX-02



W03092



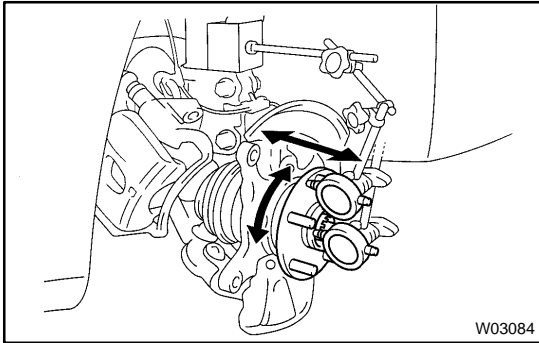
## REMOVAL

### 1. REMOVE FRONT WHEEL

**Torque: 103 N·m (1,050 kgf·cm, 76 ft·lbf)**

### 2. CHECK BEARING BACKLASH AND AXLE HUB DEVIATION

- (a) Remove the 2 bolts, brake caliper and disc.
- (b) Support the brake caliper securely.



- (c) Using a dial indicator near the center of the axle hub and check the backlash in the bearing shaft direction.

**Maximum: 0.05 mm (0.0020 in.)**

If the backlash exceeds the maximum, replace the bearing.

- (d) Using a dial indicator, check the deviation at the surface of the axle hub outside the hub bolt.

**Maximum: 0.05 mm (0.0020 in.)**

If the deviation exceeds the maximum, replace the bearing.

- (e) Install the disc, 2 bolts and brake caliper.

**Torque: 107 N·m (1,090 kgf·cm, 79 ft·lbf)**

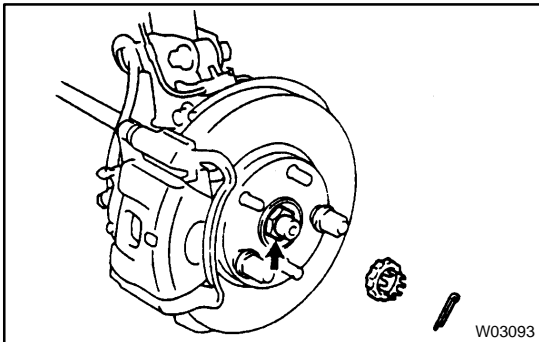
### 3. REMOVE DRIVE SHAFT LOCK NUT

- (a) Remove the cotter pin and lock cap.
- (b) With applying the brakes, remove the nut.
- (c) Remove the brake caliper and disc.

**Torque: 294 N·m (3,000 kgf·cm, 217 ft·lbf)**

### 4. REMOVE ABS SPEED SENSOR AND WIRE HARNESS CLAMP

**Torque: 7.8 N·m (80 kgf·cm, 69 in.-lbf)**



### 5. LOOSEN 2 NUTS ON LOWER SIDE OF SHOCK ABSORBER

HINT:

Do not remove the bolts.

**Torque: 211 N·m (2,150 kgf·cm, 156 ft·lbf)**

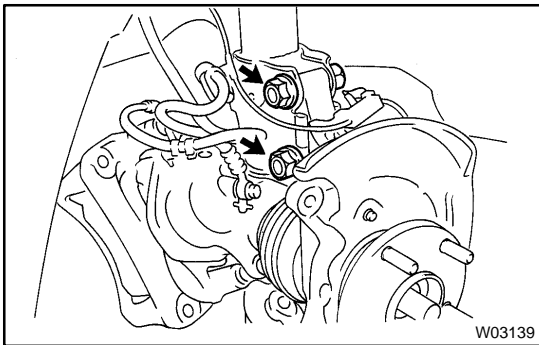
HINT:

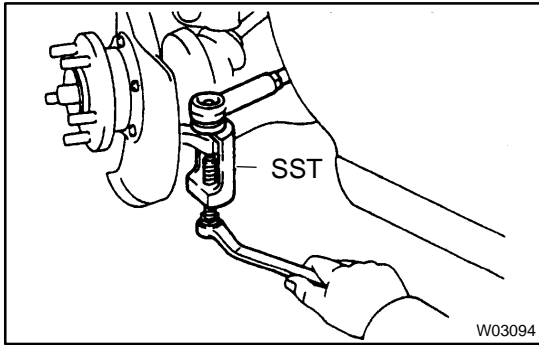
At the time of installation, coat the nut's thread with engine oil.

### 6. DISCONNECT TIE ROD END FROM STEERING KNUCKLE

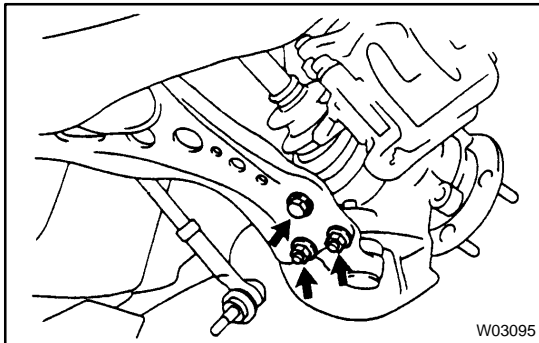
- (a) Remove the cotter pin and nut.

**Torque: 49 N·m (500 kgf·cm, 36 ft·lbf)**





- (b) Using SST, disconnect the tie rod end from the steering knuckle.  
SST 09610-20012



**7. DISCONNECT LOWER BALL JOINT FROM LOWER ARM**

Remove the 2 nuts and bolt.

**Torque: 127 N·m (1,300 kgf·cm, 94 ft·lbf)**

**8. REMOVE STEERING KNUCKLE WITH AXLE HUB**

- (a) Remove the 2 bolts on the lower side of the shock absorber.  
(b) Remove the steering knuckle with the axle hub.

**NOTICE:**

**Be careful not to damage the oil seal with drive shaft.**

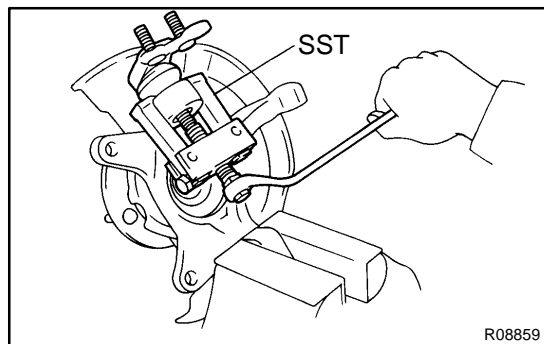
## DISASSEMBLY

### 1. REMOVE DUST DEFLECTOR

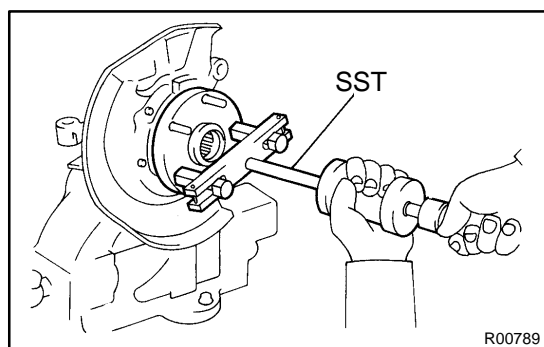
Using a screwdriver, remove the dust deflector.

### 2. REMOVE LOWER BALL JOINT

(a) Remove the cotter pin and nut.

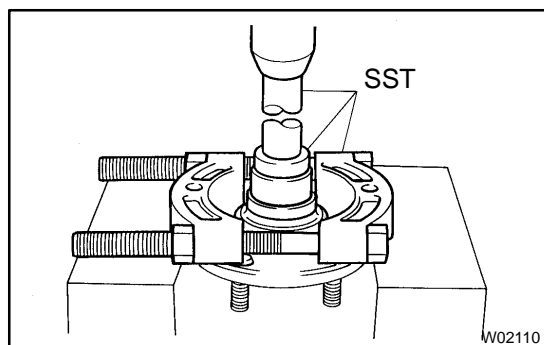


(b) Using SST, remove the lower ball joint.  
SST 09628-62011



### 3. REMOVE AXLE HUB

(a) Using SST, remove the axle hub.  
SST 09520-00031



(b) Using SST and a press, remove the inner race (outside) from the axle hub.  
SST 09950-00020, 09950-60010 (09951-00400),  
09950-70010 (09951-07100)

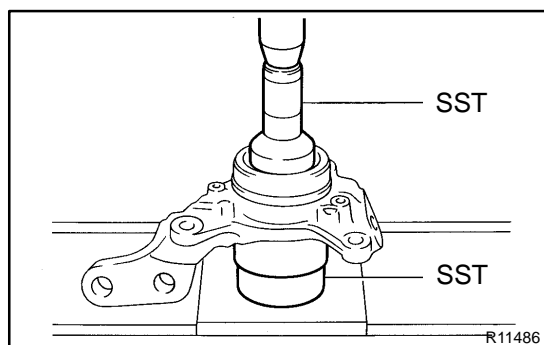
### 4. REMOVE DUST COVER

Using a torx wrench (T30), remove the 4 bolts and dust cover.

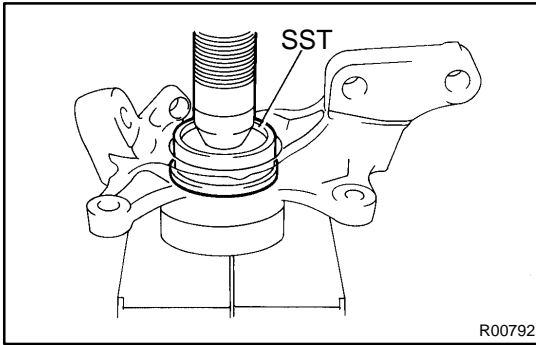
### 5. REMOVE BEARING FROM STEERING KNUCKLE

(a) Using snap ring pliers, remove the snap ring.

(b) Place the inner race on the outside of the bearing.



(c) Using SST and a press, remove the bearing.  
SST 09310-35010, 09527-17011



## REASSEMBLY

### 1. INSTALL BEARING

- (a) Using SST and a press, install a new bearing to the steering knuckle.

SST 09608-32010

- (b) Using snap ring pliers, install a new snap ring.

### 2. INSTALL DUST COVER

Place the dust cover and using a torx wrench (T30), torque the 4 bolts.

**Torque: 8.3 N·m (85 kgf·cm, 74 in.-lbf)**

### 3. INSTALL FRONT AXLE HUB

Using SST and a press, install the axle hub.

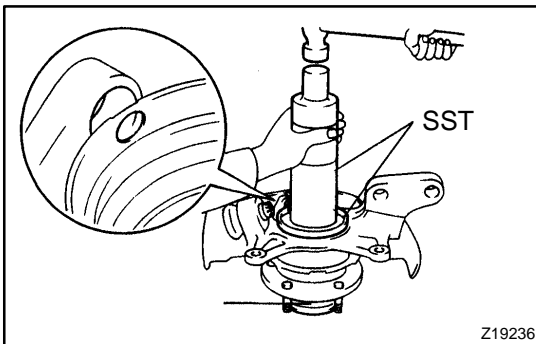
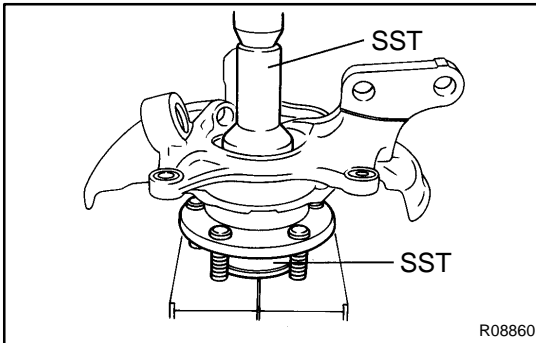
SST 09310-35010, 09608-32010

### 4. INSTALL LOWER BALL JOINT

- (a) Install the lower ball joint and torque the nut.

**Torque: 123 N·m (1,250 kgf·cm, 90 ft·lbf)**

- (b) Install a new cotter pin.



### 5. INSTALL DUST DEFLECTOR

Using SST and a hammer, install a new dust deflector.

SST 09316-60011 (09316-00011, 09316-00041),  
09608-32010

#### HINT:

Align the holes for the ABS speed sensor in the dust deflector and steering knuckle.

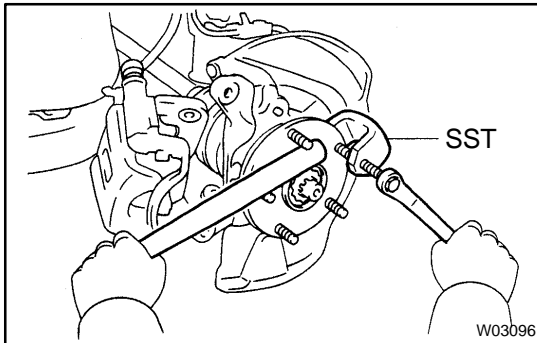
## INSTALLATION

Installation is in the reverse order of removal (See page [SA-9](#)).

**AFTER INSTALLATION, CHECK ABS SPEED SENSOR SIGNAL (See page [DI-232](#) or [DI-273](#)) AND FRONT WHEEL ALIGNMENT (See page [SA-4](#))**

## FRONT WHEEL HUB BOLT REPLACEMENT

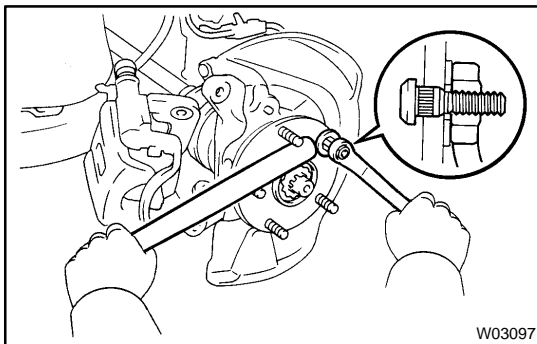
1. REMOVE FRONT WHEEL
2. REMOVE BRAKE CALIPER AND DISC
  - (a) Remove the 2 bolts, brake caliper and disc.
  - (b) Support the brake caliper securely.



### 3. REMOVE HUB BOLT

Using SST, remove the hub bolt.

SST 09628-10011



### 4. INSTALL HUB BOLT

Install a washer and nut to the hub bolt, as shown in the illustration, and install the hub bolt by torquing the nut.

### 5. INSTALL BRAKE DISC AND CALIPER

Install the disc and brake caliper with 2 bolts.

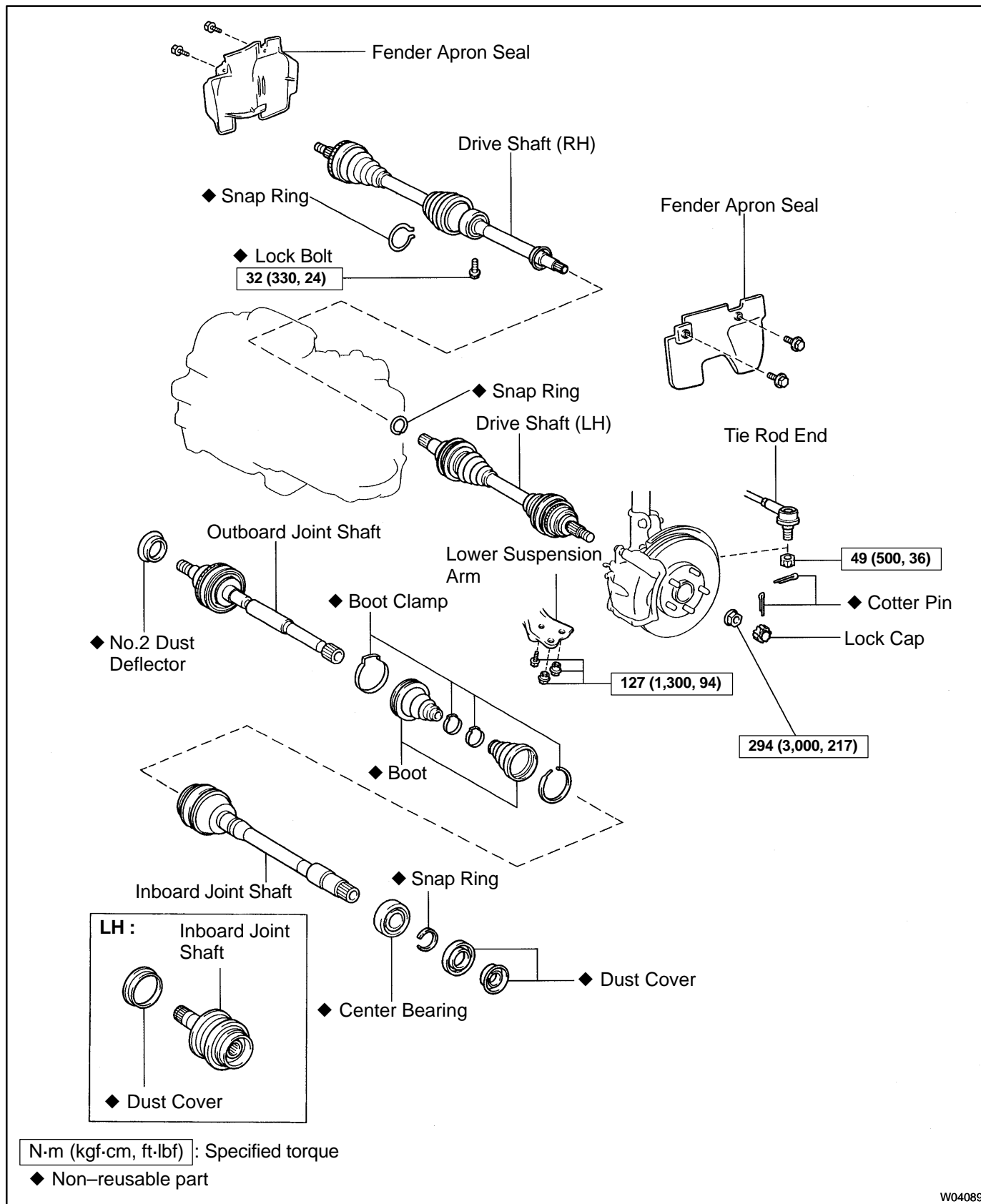
**Torque: 107 N·m (1,090 kgf·cm, 79 ft·lbf)**

### 6. INSTALL FRONT WHEEL

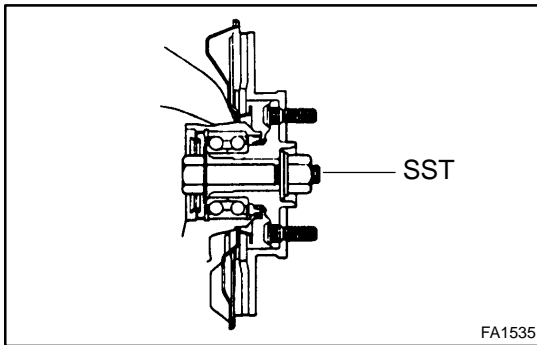
**Torque: 103 N·m (1,050 kgf·cm, 76 ft·lbf)**

# FRONT DRIVE SHAFT COMPONENTS

SA0E3-02



W04089



## REMOVAL

### NOTICE:

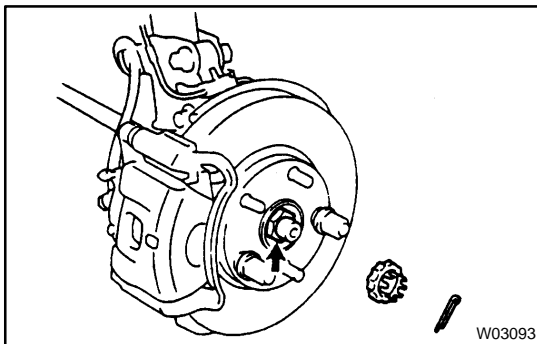
The hub bearing could be damaged if it is subjected to the vehicle weight, such as when moving the vehicle with the drive shaft removed.

Therefore, if it is absolutely necessary to place the vehicle weight on the hub bearing, first support it with SST.

SST 09608-16042 (09608-02021, 09608-02041)

1. REMOVE FRONT WHEEL AND FRONT FENDER APRON SEAL

Torque: 103 N·m (1,050 kgf·cm, 76 ft·lbf)



2. REMOVE DRIVE SHAFT LOCK NUT

(a) Remove the cotter pin and lock cap.

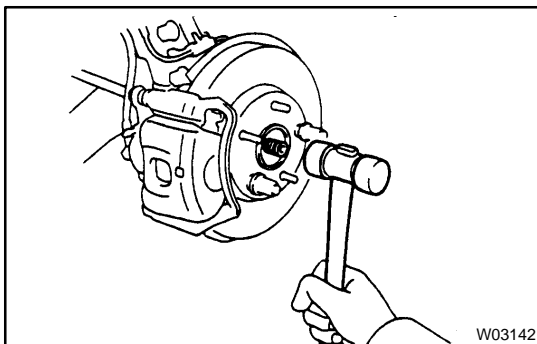
(b) With applying brakes, remove the nut.

Torque: 294 N·m (3,000 kgf·cm, 217 ft·lbf)

3. DRAIN ATF

4. DISCONNECT TIE ROD END FROM STEERING KNUCKLE (See page SA-9)

5. DISCONNECT LOWER BALL JOINT FROM LOWER SUSPENSION ARM (See page SA-9)



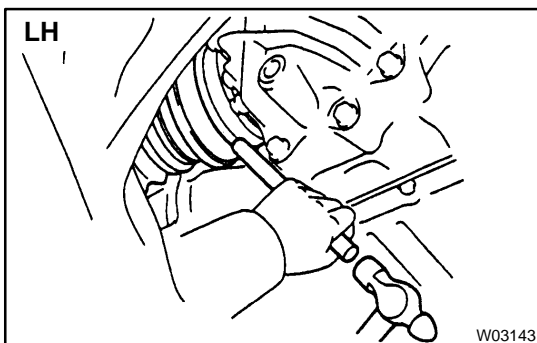
6. DISCONNECT DRIVE SHAFT FROM AXLE HUB

(a) Using a plastic hammer, disconnect the drive shaft from the axle hub.

### NOTICE:

Cover the drive shaft boot with cloth to protect it from damage.

(b) Push the front axle hub toward the outside of the vehicle, and separate the drive shaft from the axle hub.



7. REMOVE LH DRIVE SHAFT

(a) Using a brass bar and hammer, remove the snap ring, and remove the drive shaft.

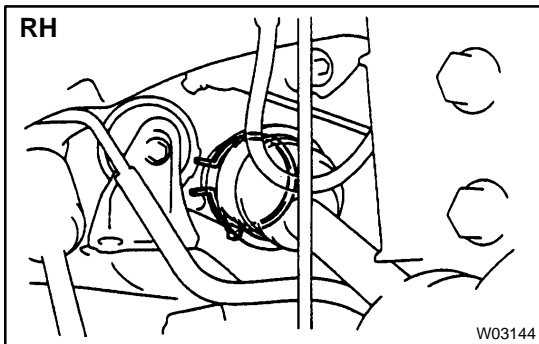


**HINT:**

At the time of installation, please refer to the following items.

- ◆ Coat gear oil to the inboard joint shaft and differential case sliding surface.
- ◆ Before installing the drive shaft, set the snap ring opening side facing downward.
- ◆ Whether or not the inboard joint shaft is making contact with the pinion shaft can be known by the sound or feeling when driving it in.
- ◆ After installation, check that there is 2 – 3 mm (0.08 – 0.12 in.) of play in the axial direction.
- ◆ After installation, check that the drive shaft cannot be removed by hand.

- (b) Using a screwdriver, remove the snap ring from the inboard joint shaft.

**8. REMOVE RH DRIVE SHAFT**

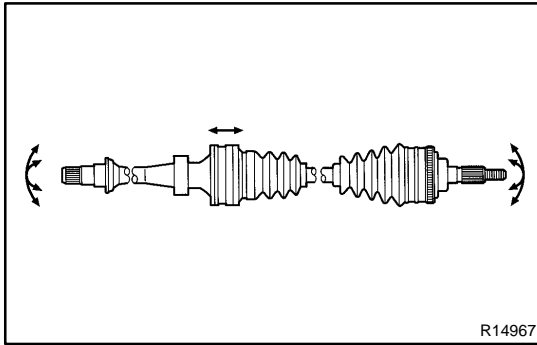
- (a) Remove the bearing lock bolt.

**Torque: 32 N·m (330 kgf·cm, 24 ft·lbf)**

- (b) Using pliers, remove the snap ring and drive shaft.

**HINT:**

At the time of installation, coat gear oil to the inboard joint shaft and differential case sliding surface.



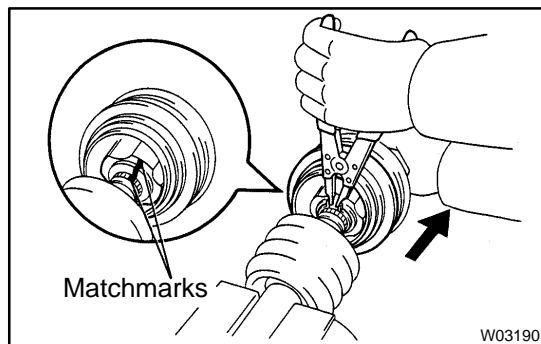
## DISASSEMBLY

### 1. CHECK DRIVE SHAFT

- (a) Check to see that there is no play in the outboard joint shaft.
- (b) Check to see that the inboard joint shaft slides smoothly in the thrust direction.
- (c) Check to see that there is no remarkable play in the radial direction of the inboard joint shaft.
- (d) Check for damage to boots.

### 2. REMOVE INBOARD AND OUTBOARD JOINT BOOT CLAMPS

- (a) Using pliers, draw the hook together and remove the large inboard joint boot clamp and remove them.
- (b) Using a side cutter, cut the small inboard and 2 outboard joint boot clamps and remove them.



### 3. REMOVE INBOARD JOINT SHAFT FROM OUTBOARD JOINT SHAFT

- (a) Place matchmarks on the inboard and outboard joint shafts.

#### NOTICE:

**Do not punch the marks.**

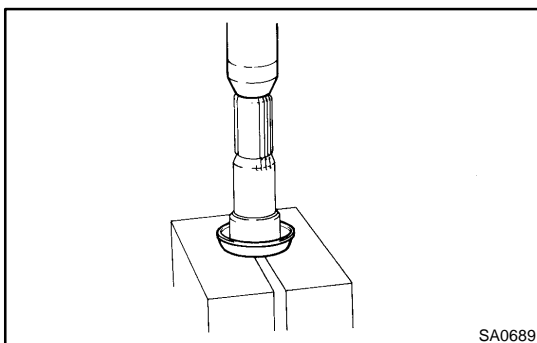
- (b) Using a snap ring expander, pull out the outboard joint shaft expanding the snap ring.

### 4. REMOVE INBOARD AND OUTBOARD JOINT BOOTS

Slide out the 2 boots.

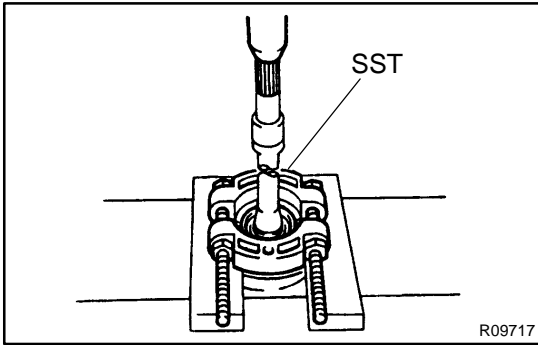
### 5. LH DRIVE SHAFT: REMOVE DUST COVER

Using a screwdriver and hammer, remove the dust cover from the inboard joint shaft.

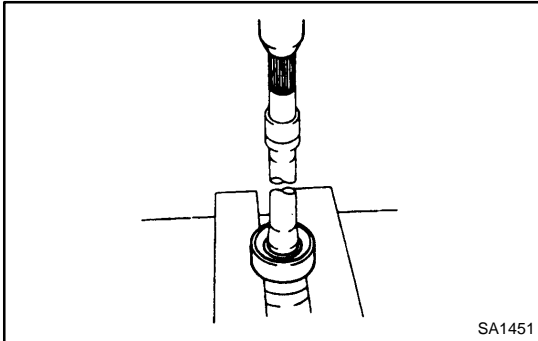


### 6. RH DRIVE SHAFT: REMOVE DUST COVER

Using a press, remove the dust cover from the inboard joint shaft.

**7. RH DRIVE SHAFT:****DISASSEMBLE INBOARD JOINT SHAFT**

- (a) Using SST and a press, remove the dust cover.  
SST 09950-00020
- (b) Using a snap ring expander, remove the snap ring.



- (c) Using a press, remove the bearing.

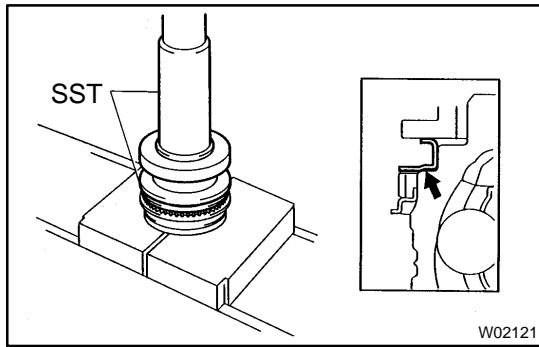
- (d) Remove the snap ring.

**8. REMOVE NO.2 DUST DEFLECTOR**

- (a) Mount outboard joint shaft in a soft jaw vise.
- (b) Using a screwdriver and hammer, remove the No.2 dust deflector.

**NOTICE:**

**Be careful not to damage the ABS speed sensor rotor.**



## REASSEMBLY

### 1. INSTALL NO.2 DUST DEFLECTOR

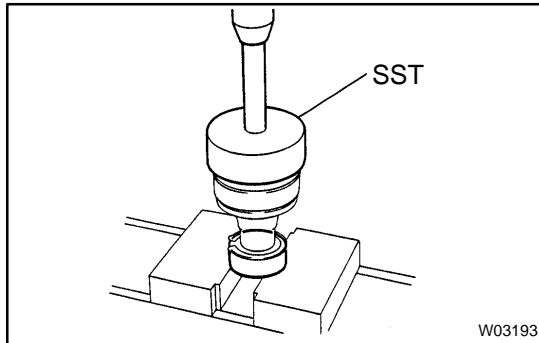
Using SST and a press, install a new No.2 dust deflector.

SST 09309-36010, 09316-20011

### 2. RH DRIVE SHAFT:

#### ASSEMBLE INBOARD JOINT SHAFT

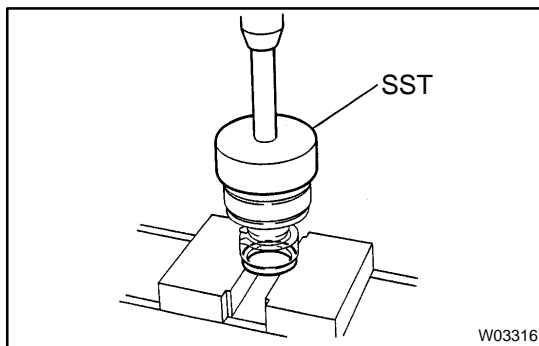
(a) Install a new snap ring to the inboard joint shaft.



(b) Using SST and a press, install a new bearing.

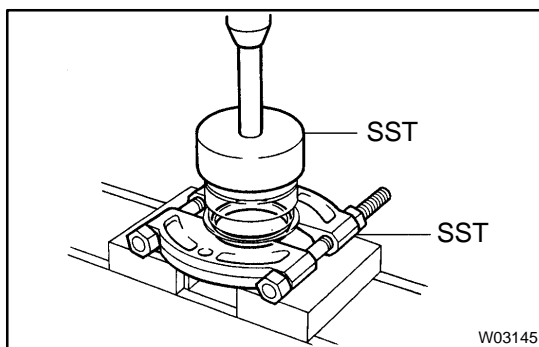
SST 09223-56010

(c) Using a snap ring expander, install a new snap ring.



(d) Using SST and a press, install a new dust cover.

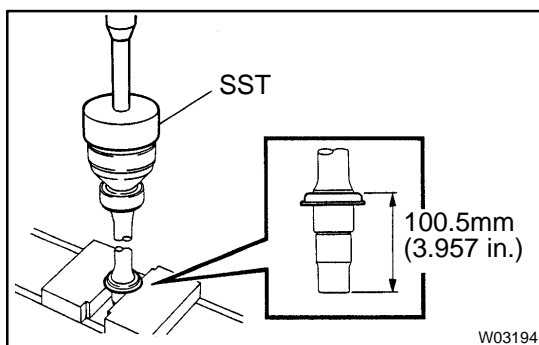
SST 09223-56010



### 3. LH DRIVE SHAFT: INSTALL DUST COVER

Using SST and a press, install a dust cover.

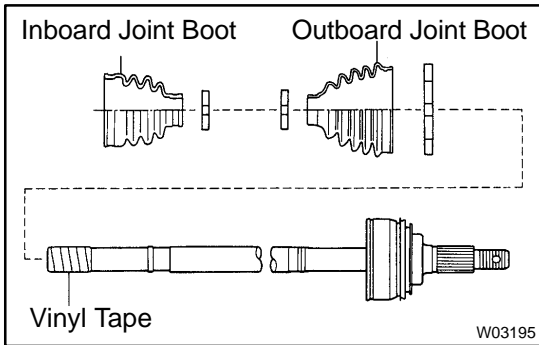
SST 09223-56010, 09555-55010



### 4. RH DRIVE SHAFT: INSTALL DUST COVER

Using SST and a press, install a new dust cover until the distance from the tip of the inboard joint shaft to the dust cover falls within the specification, as shown in the illustration.

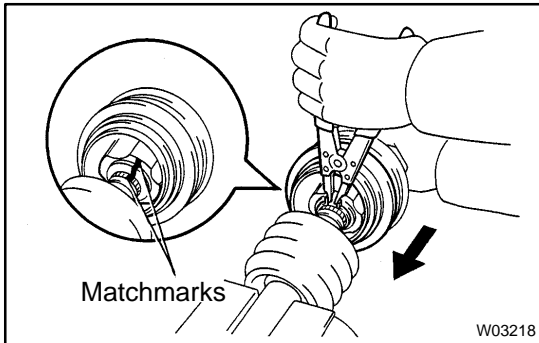
SST 09223-56010



## 5. TEMPORARILY INSTALL OUTBOARD AND INBOARD JOINT BOOTS AND NEW BOOT CLAMPS

### HINT:

- ◆ Before installing the boot, wrap vinyl tape around the spline of the drive shaft to prevent damaging the boot.
- ◆ Before installing the boot, place 3 new clamps to the small boot ends and large end (wheel side) and install its to drive shaft.



## 6. INSTALL INBOARD JOINT SHAFT TO OUTBOARD JOINT SHAFT

Align the matchmarks placed at removal, and using a snap ring expander, put in the inboard joint shaft expanding the snap ring.

## 7. INSTALL BOOT TO OUTBOARD JOINT

Before assembling the boot, pack the outboard joint and boot with grease in the boot kit.

## 8. INSTALL BOOT TO INBOARD JOINT SHAFT

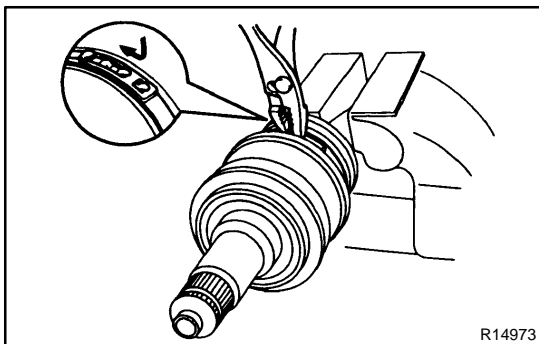
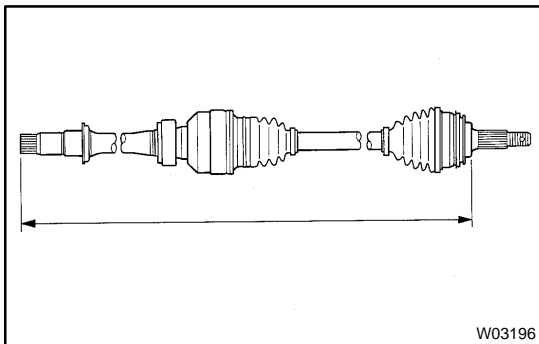
- (a) Pack the inboard joint and boot with grease in the boot kit.
- (b) Install the boot to the inboard joint shaft.

## 9. ASSEMBLE BOOT CLAMPS TO BOTH BOOTS

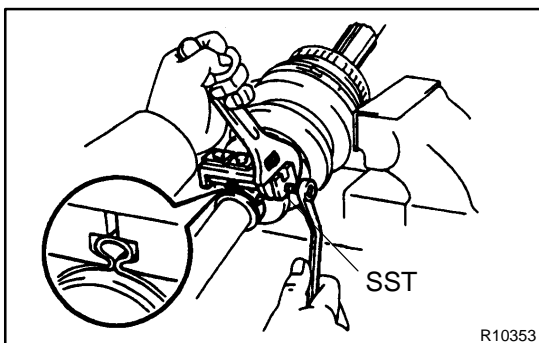
- (a) Make sure that the 2 boots are on the shaft groove.
- (b) Make sure that the 2 boots are not stretched or contracted when the drive shaft is at standard length.

### Drive shaft standard length:

LH	586.0 ± 2.0 mm (23.071 ± 0.079 in.)
RH	881.6 ± 2.0 mm (34.709 ± 0.079 in.)



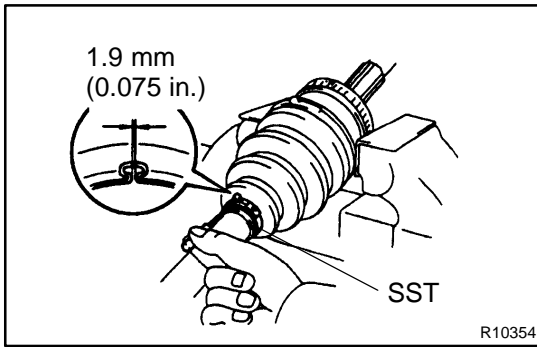
- (c) Holding the clamp near the closing hooks, using pliers, position the holes in the clamp's free end over the closing hooks.
- (d) Secure clamp by drawing the closing hooks together.



- (e) Secure the clamp onto the boot.
- (f) Place SST onto the clamp.  
SST 09521-24010
- (g) Tighten the SST so that the clamp is pinched.

### NOTICE:

Do not overtighten the SST.



- (h) Using SST, adjust the clearance of the clamp.  
SST 09240-00020  
**Clearance: 1.9 mm (0.075 in.) or less**
- 10. CHECK DRIVE SHAFT (See page SA-18)**

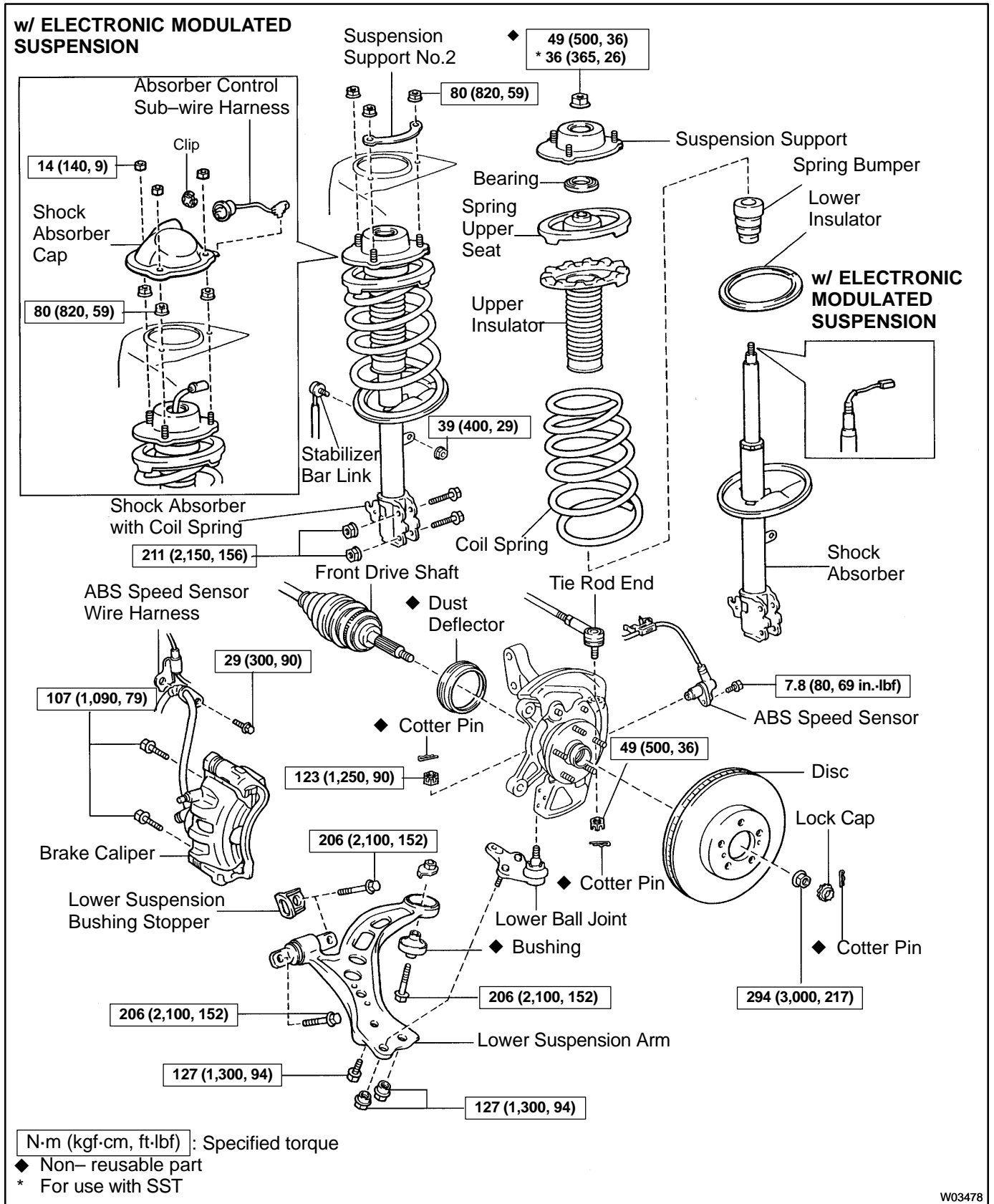
## INSTALLATION

Installation is in the reverse order of removal (See page [SA-16](#)).

**AFTER INSTALLATION, CHECK ABS SPEED SENSOR SIGNAL (See page [DI-232](#) or [DI-273](#)) AND FRONT WHEEL ALIGNMENT (See page [SA-4](#))**

# FRONT SHOCK ABSORBER COMPONENTS

SA0E8-03



W03478



## REMOVAL

1. **REMOVE FRONT WHEEL**  
Torque: 103 N·m (1,050 kgf·cm, 76 ft·lbf)
2. **REMOVE FLEXIBLE HOSE AND ABS SPEED SENSOR WIRE HARNESS AND CLAMP FROM SHOCK ABSORBER**

Remove the bolt, flexible hose and ABS wire harness clamp.

**Torque: 29 N·m (300 kgf·cm, 22 ft·lbf)**

3. **DISCONNECT STABILIZER BAR LINK FROM SHOCK ABSORBER (See page SA-42)**
4. **DISCONNECT SHOCK ABSORBER FROM STEERING KNUCKLE**

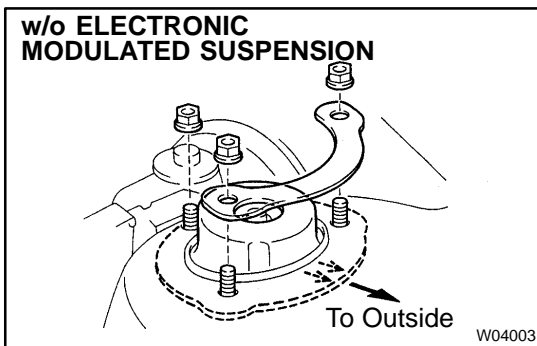
- (a) Remove the 2 nuts and bolts on the lower side of the shock absorber.

**Torque: 211 N·m (2,150 kgf·cm, 156 ft·lbf)**

- (b) Remove the shock absorber from the steering knuckle.

**HINT:**

At the time of installation, coat the nut's threads with engine oil.



5. **w/o ELECTRONIC MODULATED SUSPENSION: REMOVE SHOCK ABSORBER WITH COIL SPRING**

Remove the 3 nuts, suspension support No.2 and shock absorber with the coil spring.

**Torque: 80 N·m (820 kgf·cm, 59 ft·lbf)**

**HINT:**

At the time of installation, rotate the suspension support and set it in the direction, as shown in the illustration.

6. **w/ ELECTRONIC MODULATED SUSPENSION: REMOVE SHOCK ABSORBER WITH COIL SPRING**

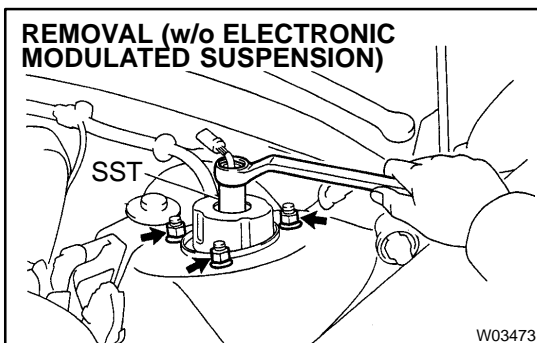
- (a) Disconnect the absorber control actuator sub-wire harness connector.

- (b) Remove the 3 nuts and shock absorber cap.

**Torque: 14 N·m (140 kgf·cm, 9 ft·lbf)**

- (c) Slide the grommet and remove the clip.

- (d) Disconnect the absorber control actuator connector.

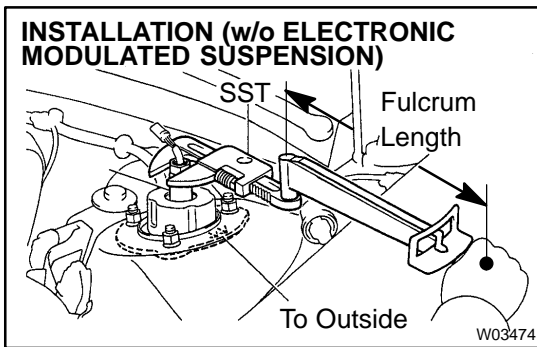


- (e) Using SST, loosen the nut in middle of the suspension support.

SST 09817-33190

**NOTICE:**

**Do not remove it.**

**HINT:**

At the time of installation, refer to the following item.

- ◆ Using SST, torque the nut.
- ◆ Use a torque wrench with a fulcrum length of 345 mm (13.58 in.).

SST 09817-33190, 09922-10010

**Torque: 36 N·m (365 kgf-cm, 26 ft-lbf)**

**NOTICE:**

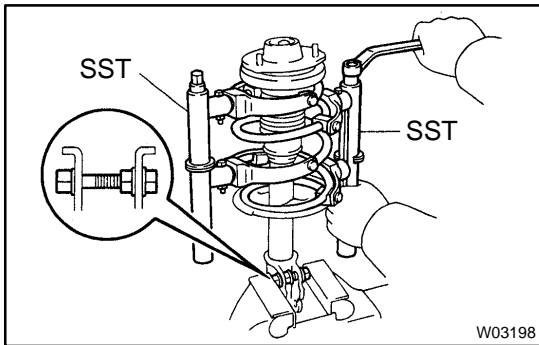
**At the time of installation, use SST (09922-10010) in direction shown in the illustration,**

- (f) Remove the 3 nuts and shock absorber with the coil spring.

**Torque: 80 N·m (820 kgf-cm, 59 ft-lbf)**

**HINT:**

At the time of installation, rotate the suspension support and set it in the direction, as shown in the illustration.



## DISASSEMBLY

### REMOVE COIL SPRING

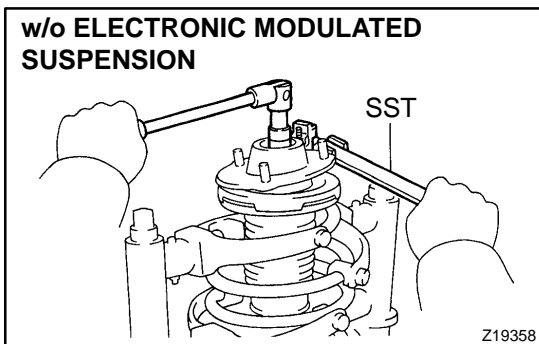
- (a) Install 2 nuts and a bolt to the bracket at the lower portion of the shock absorber and secure it in a vise.
- (b) Using SST, compress the coil spring.  
SST 09727-30021

### NOTICE:

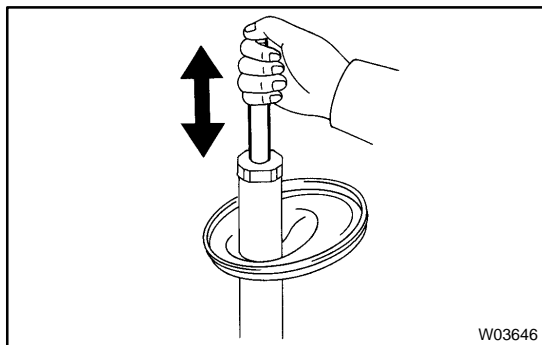
- ◆ When holding the shock absorber with the coil spring removed, do not hold it by the spring lower seat. Also, do not knock the spring lower seat.
- ◆ Do not use an impact wrench. It will damage the SST.

### HINT:

Use 2 of the same type of SST.



- (c) w/o ELECTRONIC MODULATED SUSPENSION:  
Using SST to hold the suspension support, remove the nut.  
SST 09729-22031
- (d) w/ ELECTRONIC MODULATED SUSPENSION:  
Remove the suspension support nut.
- (e) Remove these parts from the shock absorber:
  - ◆ Suspension support
  - ◆ Bearing
  - ◆ Spring upper seat
  - ◆ Upper insulator
  - ◆ Coil spring
  - ◆ Lower insulator
  - ◆ Spring bumper



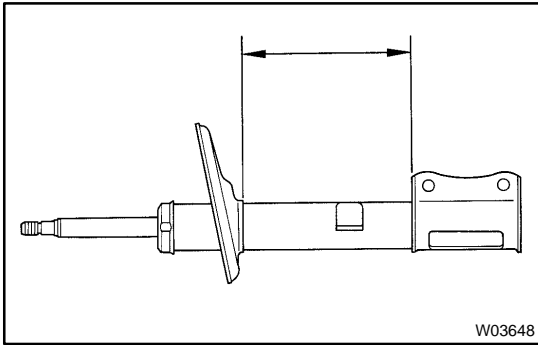
## INSPECTION

### INSPECT SHOCK ABSORBER

Compress and extend the shock absorber rod and check that there is no abnormal resistance or unusual operation sounds.

#### NOTICE:

When discarding the shock absorber, see page **DISPOSAL** on page [SA-29](#).



## DISPOSAL

1. FULLY EXTEND SHOCK ABSORBER ROD
2. DRILL HOLE TO REMOVE GAS FROM CYLINDER

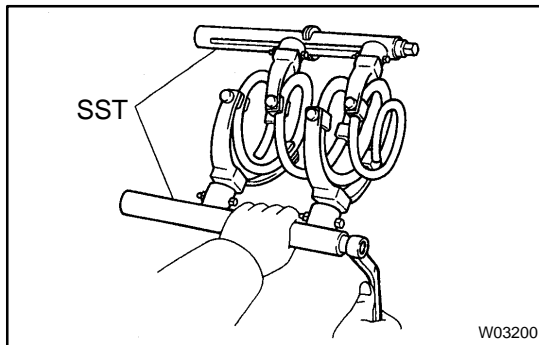
Drill a hole between the lines, as shown.

### CAUTION:

The gas coming out is harmless, but be careful of chips which may fly up when drilling.

## REASSEMBLY

1. INSTALL LOWER INSULATOR ONTO SHOCK ABSORBER
2. INSTALL SPRING BUMPER TO PISTON ROD



### 3. INSTALL COIL SPRING

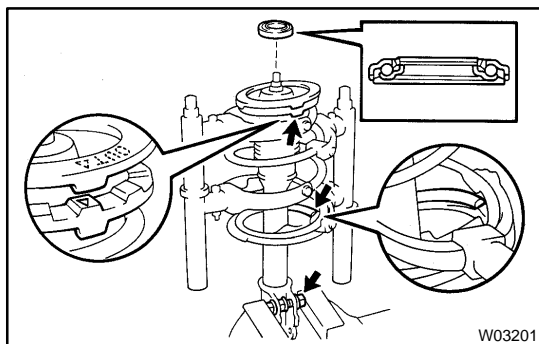
- (a) Using SST, compress the coil spring.  
SST 09727-30021

#### NOTICE:

**Do not use an impact wrench. It will damage the SST.**

#### HINT:

Use 2 of the same type of SST.



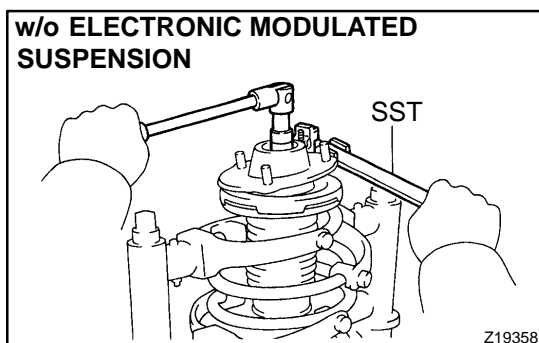
- (b) Install the coil spring to the shock absorber.

#### HINT:

Fit the lower end of the coil spring into the gap of the spring lower seat.

### 4. INSTALL SPRING UPPER SEAT AND INSULATOR

- (a) Align the 'OUT' mark of spring upper seat with the mark of the upper insulator.
- (b) Install the spring upper seat with upper insulator to the shock absorber with the mark facing the outside of the vehicle.
- (c) Install the bearing and suspension support.



- (d) w/o ELECTRONIC MODULATED SUSPENSION:  
Using SST to hold the suspension support, install a new nut.  
SST 09729-22031  
**Torque: 49 N·m (500 kgf·cm, 36 ft·lbf)**
- (e) w/ ELECTRONIC MODULATED SUSPENSION:  
Temporarily tighten the nut.

- (f) Remove the SST from the coil spring.  
SST 09727-30021

**NOTICE:**

**Check that the bearing fits into the recess in the suspension support.**

## INSTALLATION

Installation is in the reverse order of removal (See page [SA-25](#)).

**AFTER INSTALLATION, CHECK FRONT WHEEL ALIGNMENT (See page [SA-4](#))**



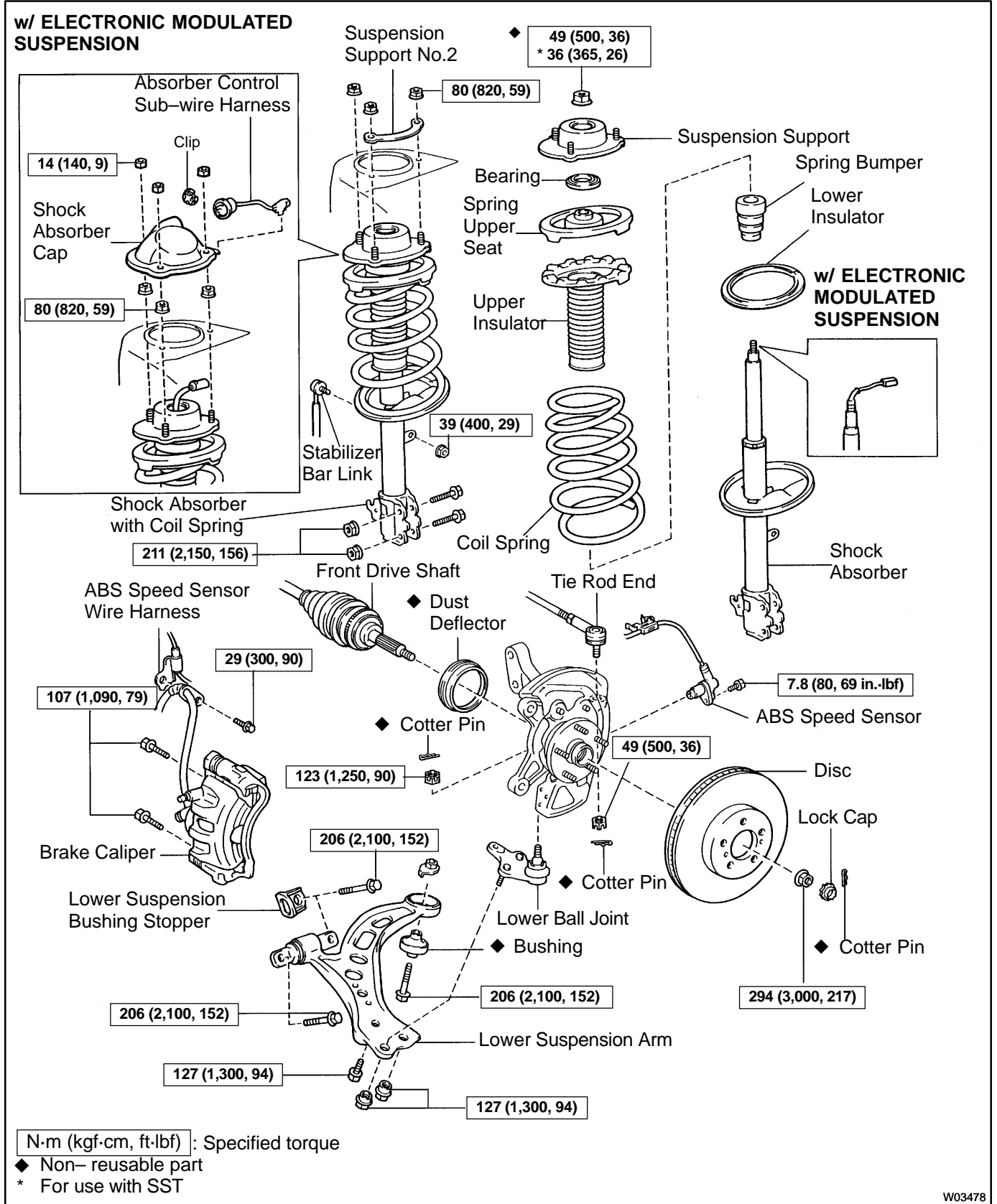
## INSTALLATION

Installation is in the reverse order of removal (See page [SA-25](#)).

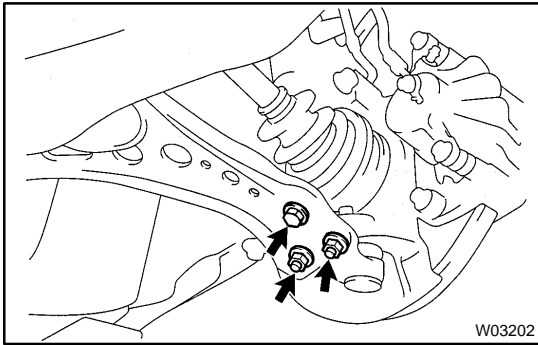
**AFTER INSTALLATION, CHECK FRONT WHEEL ALIGNMENT (See page [SA-4](#))**

# FRONT LOWER SUSPENSION ARM COMPONENTS

SA0EF-03



W03478

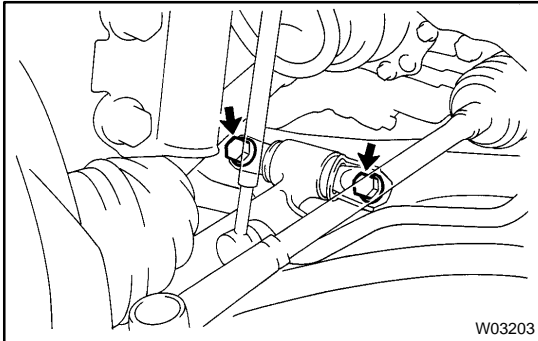


## REMOVAL

1. **REMOVE FRONT WHEEL**  
Torque: 103 N·m (1,050 kgf·cm, 76 ft·lbf)
2. **DISCONNECT LOWER SUSPENSION ARM FROM LOWER BALL JOINT**

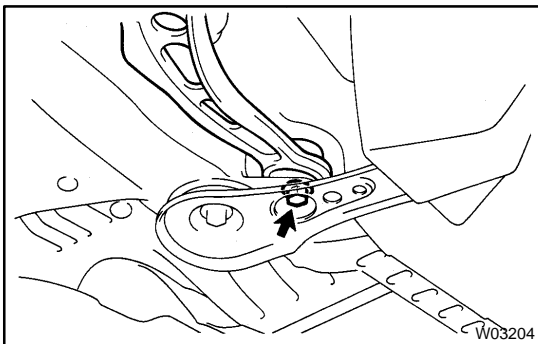
Remove the 2 nuts and bolt.

**Torque: 127 N·m (1,300 kgf·cm, 94 ft·lbf)**



3. **REMOVE LOWER SUSPENSION ARM**
  - (a) Remove the 2 bolts on the front side of the lower suspension arm.

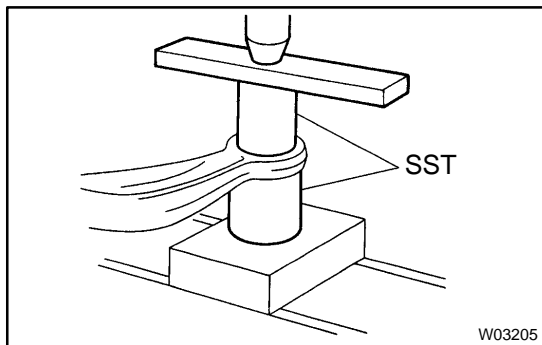
**Torque: 206 N·m (2,100 kgf·cm, 152 ft·lbf)**



- (b) Remove the bolt and nut on the rear side of the lower suspension arm.

**Torque: 206 N·m (2,100 kgf·cm, 152 ft·lbf)**

- (c) Remove the lower suspension arm.
- (d) Remove the lower suspension arm bushing stopper from the lower suspension arm shaft.

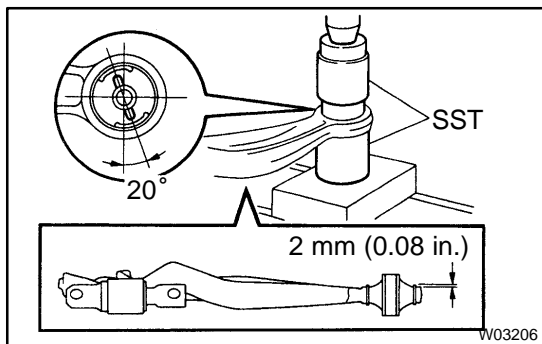


## REPLACEMENT

### 1. REMOVE LOWER SUSPENSION ARM BUSHING

Using SST and a press, remove the bushing.

SST 09649-17010, 09710-04081



### 2. INSTALL LOWER SUSPENSION ARM BUSHING

Using SST and a press, install a new bushing.

SST 09238-47012, 09649-17010

HINT:

Install the bushing before, and set it in the direction, as shown in the illustration,

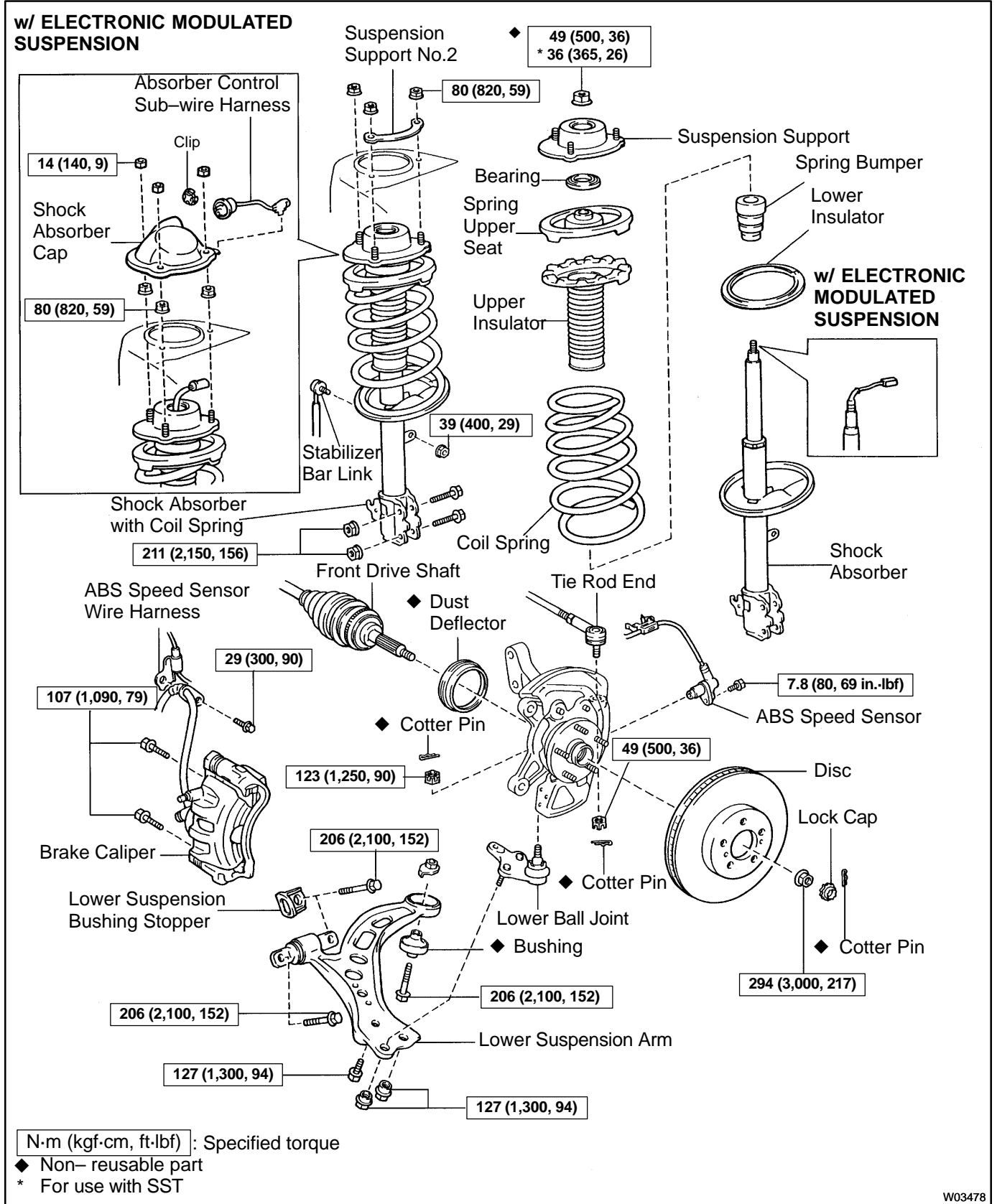
## INSTALLATION

Installation is in the reverse order of removal (See page [SA-34](#)).

**AFTER INSTALLATION, CHECK FRONT WHEEL ALIGNMENT (See page [SA-4](#))**

# FRONT LOWER BALL JOINT COMPONENTS

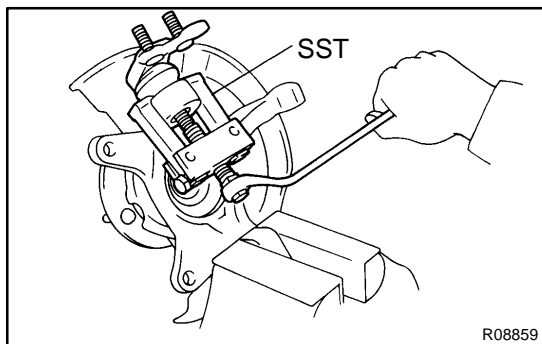
SA0EJ-03



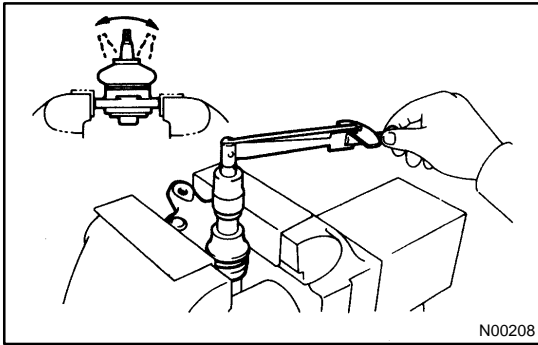
W03478

## REMOVAL

1. REMOVE STEERING KNUCKLE WITH AXLE HUB  
(See page SA-9)
2. REMOVE LOWER BALL JOINT
  - (a) Using a screwdriver, remove the dust deflector.
  - (b) Remove the cotter pin and nut.



- (c) Using SST, remove the lower ball joint.  
SST 09628-62011



## INSPECTION

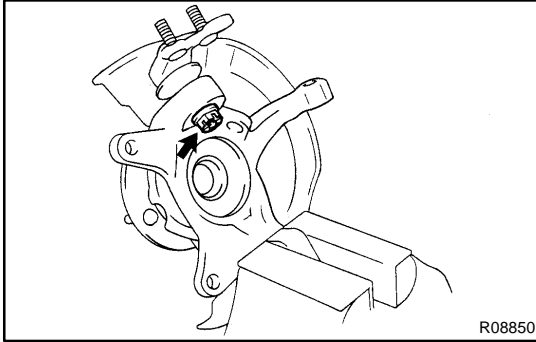
### INSPECT BALL JOINT FOR ROTATION CONDITION

- (a) As shown, flip the ball joint stud back and forth 5 times, before installing the nut.
- (b) Using a torque wrench, turn the nut continuously one turn each 2 – 4 seconds and take the torque reading on the 5th turn.

#### Turning torque:

**1.0 – 3.4 N·m (10 – 35 kgf·cm, 8.7 – 30 in.-lbf)**

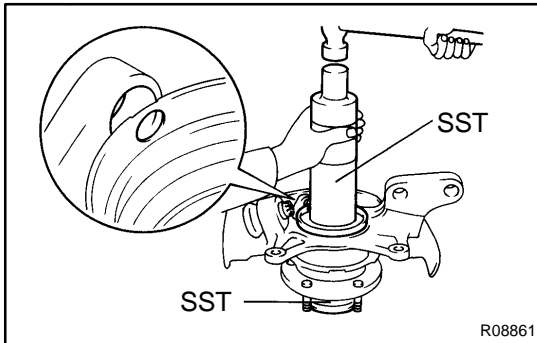




## INSTALLATION

### 1. INSTALL LOWER BALL JOINT

- (a) Install the lower ball joint and tighten the nut.  
**Torque: 123 N·m (1,250 kgf·cm, 90 ft·lbf)**
- (b) Install a new cotter pin.



### 2. INSTALL NEW DUST DEFLECTOR

Using SST and a hammer, install a new dust deflector.

SST 09316-60011 (09316-00011, 09316-00041),  
09608-32010

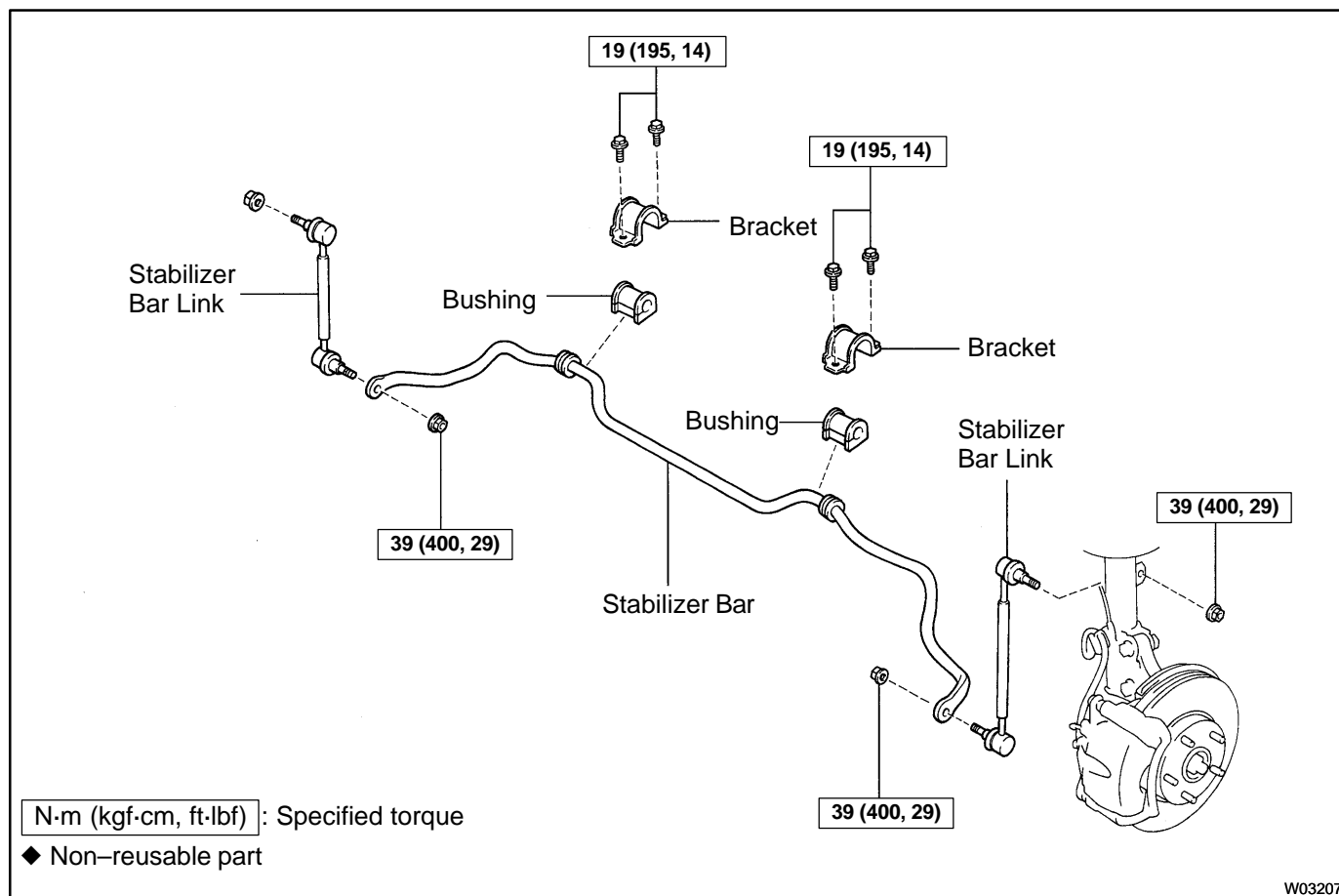
#### HINT:

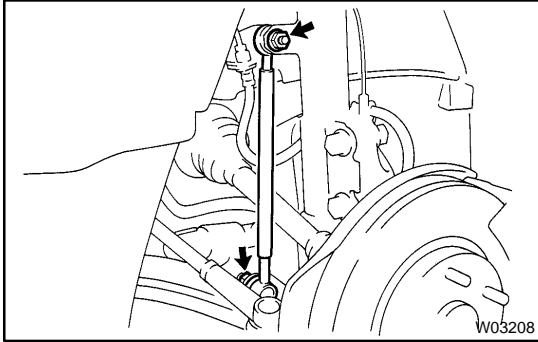
Align the holes for the ABS speed sensor in the dust deflector and steering knuckle.

3. **INSTALL STEERING KNUCKLE WITH AXLE HUB (See page SA-13)**
4. **CHECK ABS SPEED SENSOR SIGNAL (See page DI-232 or DI-273) AND FRONT WHEEL ALIGNMENT (See page SA-4)**

# FRONT STABILIZER BAR COMPONENTS

SA0EN-02





## REMOVAL

### 1. REMOVE LEFT AND RIGHT FRONT WHEELS

**Torque: 103 N·m (1,050 kgf·cm, 76 ft·lbf)**

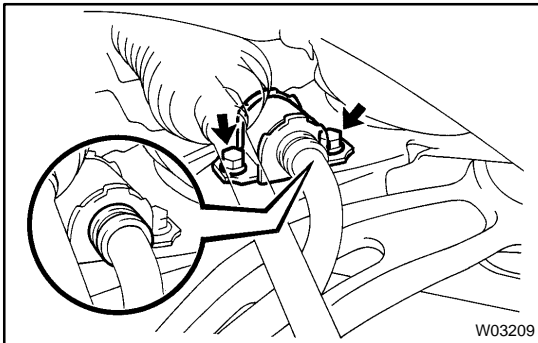
### 2. REMOVE LEFT AND RIGHT STABILIZER BAR LINKS

Remove the 4 nuts and 2 links.

**Torque: 39 N·m (400 kgf·cm, 29 ft·lbf)**

#### HINT:

If the ball joint turns together with the nut, use a 5 mm hexagon wrench to hold the stud.



### 3. REMOVE LEFT AND RIGHT BRACKETS AND BUSHINGS

Remove the 4 bolts, 2 brackets and bushings.

**Torque: 19 N·m (195 kgf·cm, 14 ft·lbf)**

#### HINT:

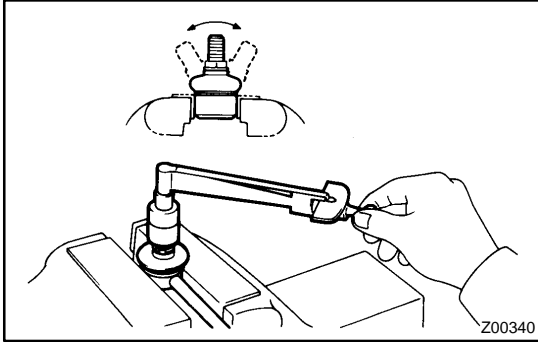
At the time of installation, install the bushing to the inside of the bushing on the stabilizer bar.

### 4. REMOVE STABILIZER BAR

Remove the stabilizer bar from the left hand side.

#### NOTICE:

**Be careful not to damage the pressure feed tube.**



## INSPECTION

### INSPECT STABILIZER BAR LINK BALL JOINT FOR ROTATION CONDITION

- (a) As shown, flip the ball joint stud back and forth 5 times, before installing the nut.
- (b) Using a torque wrench, turn the nut continuously one turn each 2 – 4 seconds and take the torque reading on the 5th turn.

#### Turning torque:

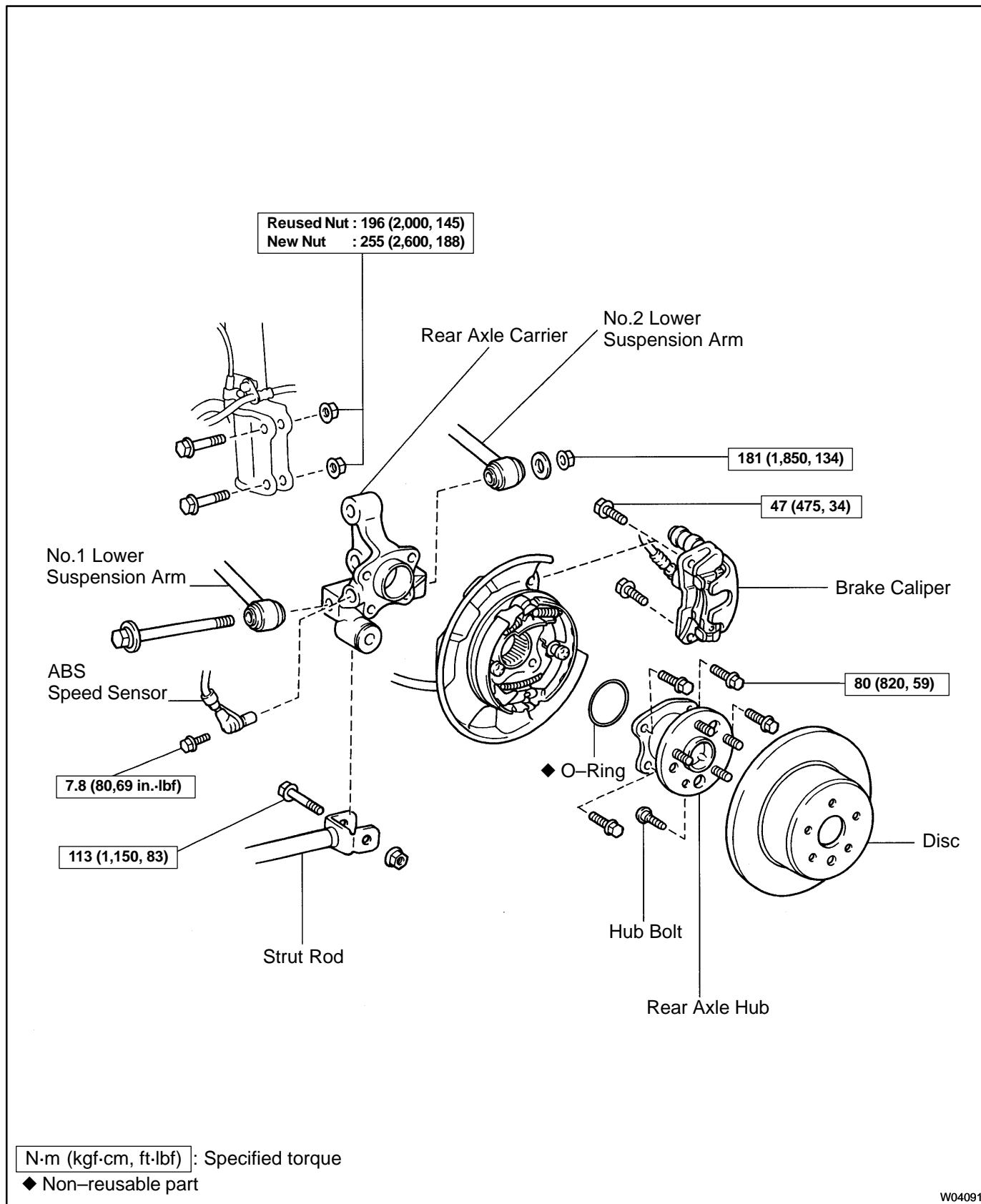
**0.05 – 1.0 N·m (0.5 – 10 kgf·cm, 0.4 – 8.7 in.-lbf)**

## INSTALLATION

Installation is in the reverse order of removal (See page [SA-42](#)).

# REAR AXLE HUB COMPONENTS

SA0ER-04



W04091

## REMOVAL

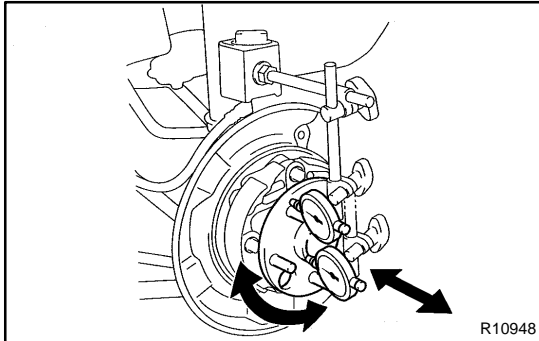
1. **REMOVE REAR WHEEL**  
Torque: 103 N·m (1,050 kgf·cm, 76 ft·lbf)

2. **REMOVE BRAKE CALIPER AND DISC**

- (a) Remove the brake caliper and disc.

**Torque: 47 N·m (475 kgf·cm, 34 ft·lbf)**

- (b) Support the brake caliper securely.

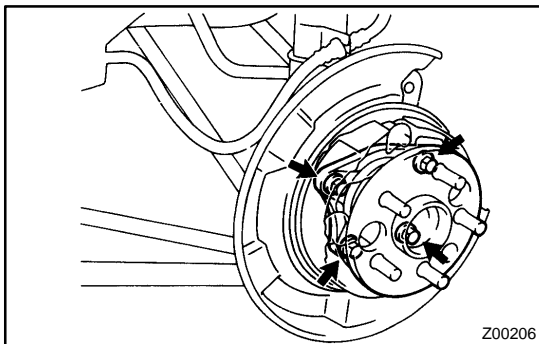


3. **CHECK BEARING BACKLASH AND AXLE HUB DEVIATION**

- (a) Using a dial indicator near the center of the axle hub and check the backlash in the bearing shaft direction.

**Maximum: 0.05 mm (0.0020 in.)**

If the backlash exceeds the maximum, replace the axle hub with the bearing.



- (b) Using a dial indicator, check the deviation at the surface of the axle hub outside the hub bolt.

**Maximum: 0.07 mm (0.0028 in.)**

If the deviation exceeds the maximum, replace the axle hub with the bearing.

4. **REMOVE REAR AXLE HUB**

- (a) Remove the 4 bolts and rear axle hub.

**Torque: 80 N·m (820 kgf·cm, 59 ft·lbf)**

- (b) Remove the O-ring.

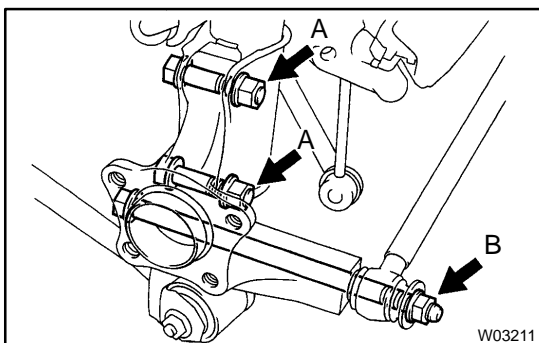
HINT:

At the time of installation, coat a new O-ring with MP grease.

- (c) Support the backing plate securely.

5. **REMOVE ABS SPEED SENSOR**

**Torque: 7.8 N·m (80 kgf·cm, 69 in.-lbf)**



6. **REMOVE REAR AXLE CARRIER**

- (a) Loosen the 3 nuts.

**Torque:**

**Nut A (Reused nut): 196 N·m (2,000 kgf·cm, 145 ft·lbf)**

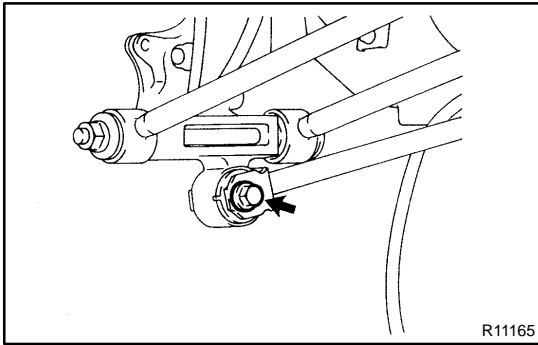
**Nut A (New nut): 255 N·m (2,600 kgf·cm, 188 ft·lbf)**

**Nut B: 181 N·m (1,850 kgf·cm, 134 ft·lbf)**

HINT:

At the time of installation, please refer to the following items.

- ◆ After stabilizing the suspension, torque the nuts.
- ◆ If reusing the 2 nuts, coat the nut's threads with engine oil.



- (b) Remove the bolt and nut, and disconnect the strut rod from the rear axle carrier.

**NOTICE:**

**When removing/installing bolt, stop the nut from rotating and loosen/torque the bolt.**

**Torque: 113 N·m (1,150 kgf·cm, 83 ft·lbf)**

- (c) Remove the 2 nuts and bolts on the lower side of the shock absorber.
- (d) Remove the nut, bolt and No.2 lower suspension arm.
- (e) Remove the rear axle carrier.



## INSTALLATION

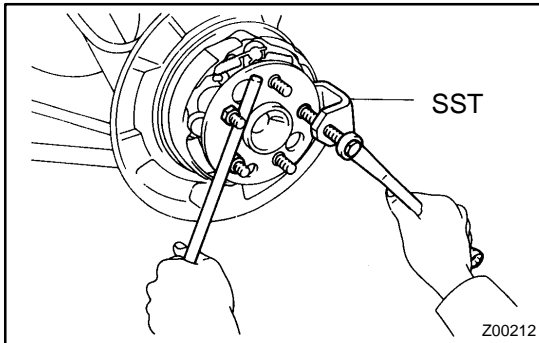
Installation is in the reverse order of removal (See page [SA-46](#)).

**AFTER INSTALLATION, CHECK ABS SPEED SENSOR SIGNAL (See page [DI-232](#) or [DI-273](#)) AND REAR WHEEL ALIGNMENT (See page [SA-7](#))**

## REAR WHEEL HUB BOLT REPLACEMENT

SA0EU-01

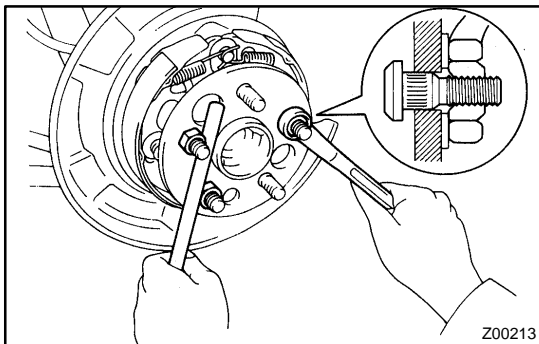
1. REMOVE REAR WHEEL
2. REMOVE BRAKE CALIPER AND DISC
  - (a) Remove the 2 bolts, brake caliper and disc.
  - (b) Support the brake caliper securely.



### 3. REMOVE HUB BOLT

Using SST, remove the hub bolt.

SST 09628-10011



### 4. INSTALL HUB BOLT

Install a washer and nut to the hub bolt, as shown in the illustration, and install the hub bolt by tightening the nut.

### 5. INSTALL DISC AND BRAKE CALIPER

Install the disc and brake caliper with the 2 bolts.

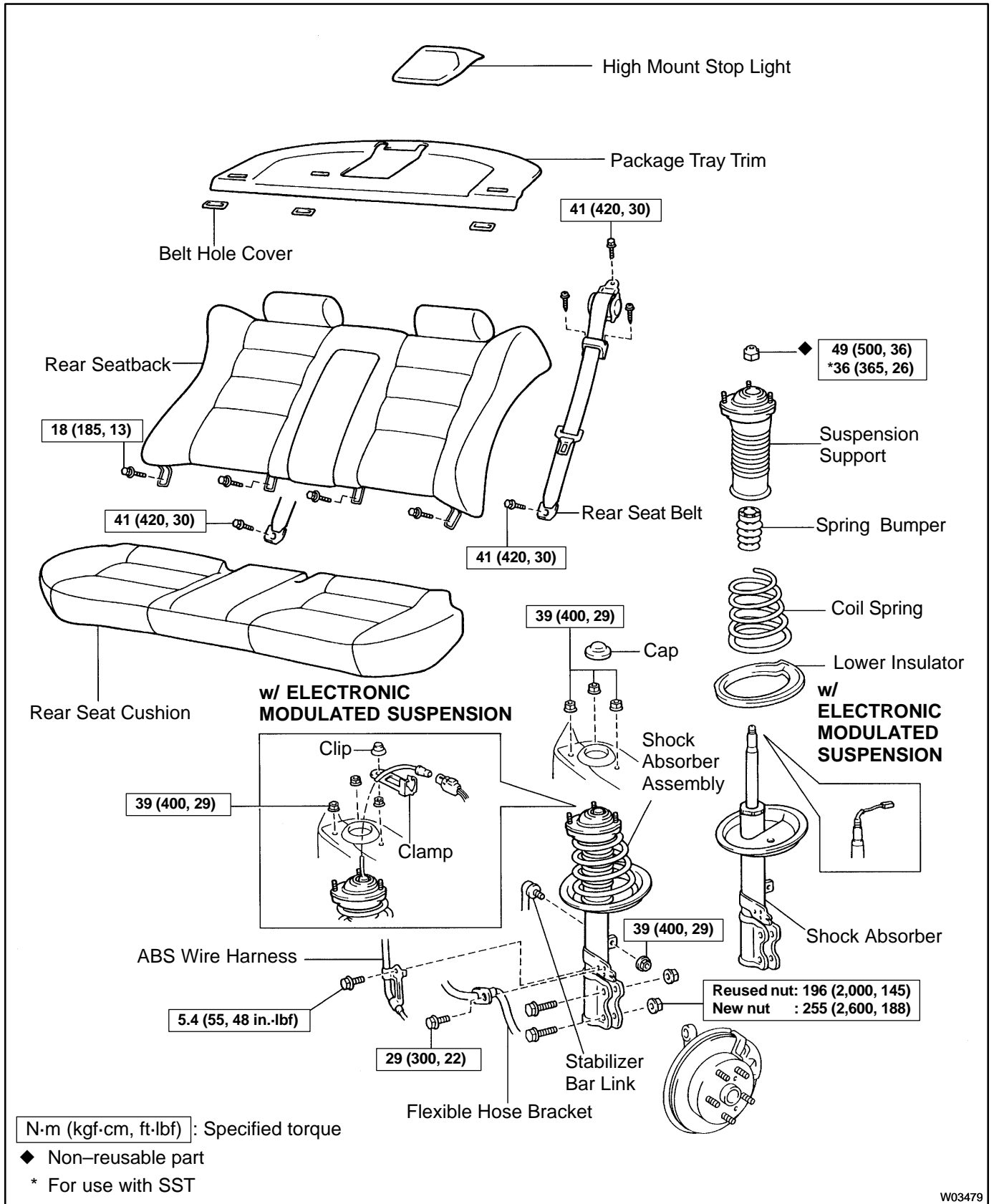
**Torque: 47 N·m (475 kgf·cm, 34 ft·lbf)**

### 6. INSTALL REAR WHEEL

**Torque: 103 N·m (1,050 kgf·cm, 76 ft·lbf)**

# REAR SHOCK ABSORBER COMPONENTS

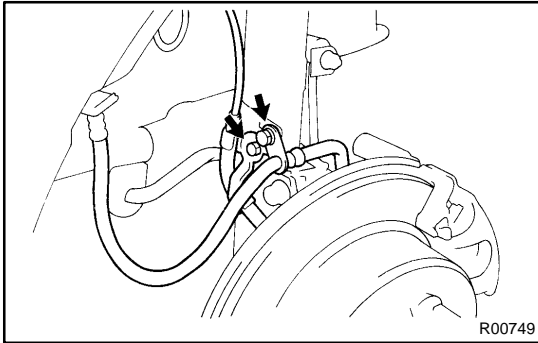
SA0EV-02



W03479

## REMOVAL

1. **REMOVE THESE PARTS:**
  - ◆ Rear seat cushion and seatback
  - ◆ Package tray trim
  - ◆ High mount stop light
  - ◆ Belt hole cover and rear seat belt
2. **REMOVE REAR WHEEL**  
Torque: 103 N·m (1,050 kgf·cm, 76 ft·lbf)



3. **REMOVE FLEXIBLE HOSE AND ABS SPEED SENSOR WIRE HARNESS CLAMP FROM SHOCK ABSORBER**

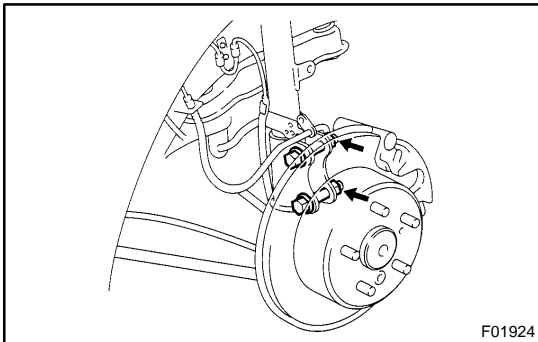
Remove the 2 bolts, flexible hose and ABS wire harness clamp.

**Torque:**

**Flexible hose: 29 N·m (300 kgf·cm, 22 ft·lbf)**

**ABS wire: 5.4 N·m (55 kgf·cm, 48 in·lbf)**

4. **DISCONNECT STABILIZER BAR LINK FROM SHOCK ABSORBER (See page SA-65)**



5. **LOOSEN 2 NUTS ON LOWER SIDE OF SHOCK ABSORBER**

- (a) Loosen the 2 nuts on the lower side of the shock absorber.

**Torque:**

**Reused nut: 196 N·m (2,000 kgf·cm, 145 ft·lbf)**

**New nut: 255 N·m (2,600 kgf·cm, 188 ft·lbf)**

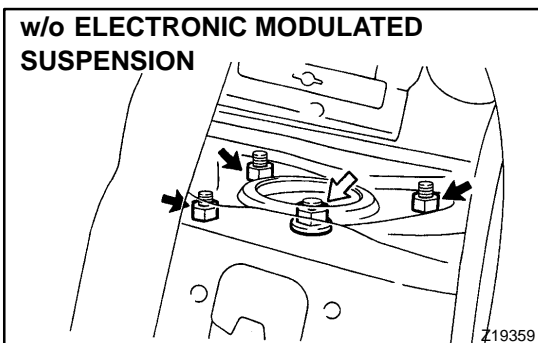
**HINT:**

At the time of installation, coat the nut's threads with engine oil.

- (b) Support the rear axle carrier with a jack.

6. **w/o ELECTRONIC MODULATED SUSPENSION:  
REMOVE SHOCK ABSORBER WITH COIL SPRING**

- (a) Remove the cap.



- (b) Loosen the nut in the middle of the suspension support.

**NOTICE:**

**Do not remove it.**

**Torque: 49 N·m (500 kgf·cm, 36 ft·lbf)**

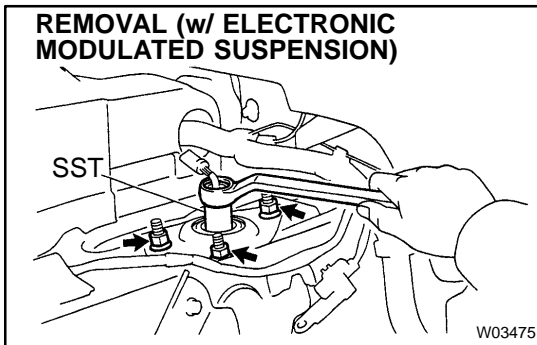
- (c) Remove the 3 nuts of the suspension support.

**Torque: 39 N·m (400 kgf·cm, 29 ft·lbf)**

- (d) Lower the rear axle carrier and remove the 2 bolts.

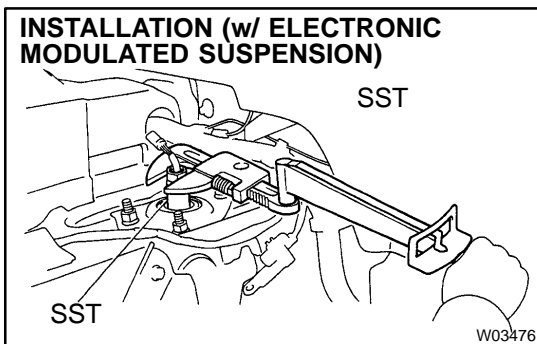
- (e) Remove the shock absorber with the coil spring.

7. **w/ ELECTRONIC MODULATED SUSPENSION:  
REMOVE SHOCK ABSORBER WITH COIL SPRING**
- (a) Remove the clip and clamp and disconnect the absorber control actuator connector.



- (b) Using SST, loosen the nut in middle of the suspension support.  
SST 09817-33190

**NOTICE:**  
Do not remove it.



**HINT:**

At the time of installation, please refer to the following items.

- ◆ Using SST, torque the nut.
- ◆ Use a torque wrench with a fulcrum length of 345 mm (13.58 in.).

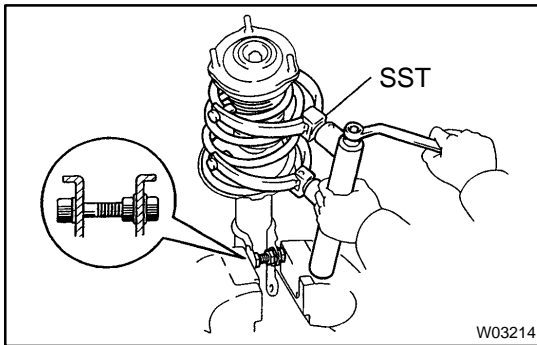
SST 09817-33190, 09922-10010

**Torque: 29 N·m (292 kgf·cm, 21 ft·lbf)**

**NOTICE:**

**At the time of installation, please refer to the following item.  
Use SST (09922-10010) in direction shown in the illustration.**

- (c) Remove the 3 nuts of the suspension support.  
**Torque: 39 N·m (400 kgf·cm, 29 ft·lbf)**
- (d) Lower the rear axle carrier and remove the 2 bolts.
- (e) Remove the shock absorber with the coil spring.



## DISASSEMBLY

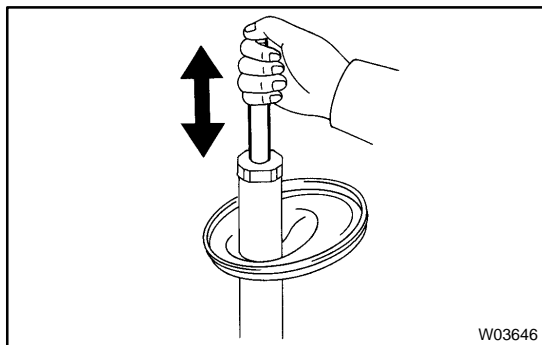
### REMOVE COIL SPRING

- (a) Install 2 nuts and a bolt to the bracket at the lower part of the shock absorber and secure it in a vise.
- (b) Using SST, compress the coil spring.  
SST 09727-30021

### NOTICE:

**Do not use an impact wrench. It will damage the SST.**

- (c) Remove the suspension support nut.  
SST 09729-22031
- (d) Remove these parts from the shock absorber:
  - ◆ Suspension support
  - ◆ Coil spring
  - ◆ Lower insulator
  - ◆ Spring bumper



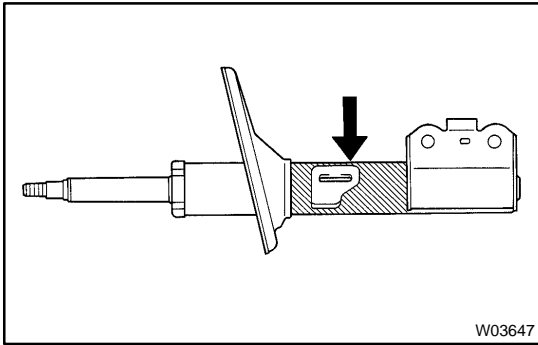
## INSPECTION

### INSPECT SHOCK ABSORBER

Compress and extend the shock absorber rod and check that there is no abnormal resistance or unusual operation sounds.

#### NOTICE:

When discarding the shock absorber, see **DISPOSAL** on page [SA-55](#).



## DISPOSAL

1. FULLY EXTEND SHOCK ABSORBER ROD
2. DRILL HOLE TO REMOVE GAS FROM CYLINDER

Using a drill, make a hole in the cylinder as shown to remove the gas inside.

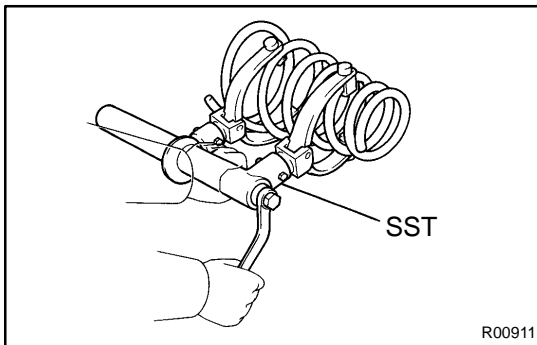
### CAUTION:

The gas coming out is harmless, but be careful of chips which may fly up when drilling.



## REASSEMBLY

1. INSTALL LOWER INSULATOR
2. INSTALL SPRING BUMPER TO PISTON ROD

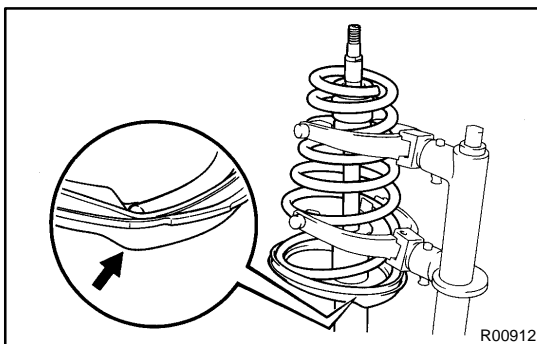


### 3. INSTALL COIL SPRING

- (a) Using SST, compress the coil spring.  
SST 09727-30021

#### NOTICE:

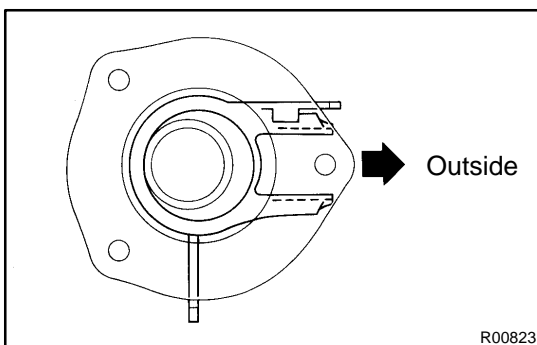
Do not use an impact wrench. It will damage the SST.



- (b) Install the coil spring to the shock absorber.

#### HINT:

Fit the lower end of the coil spring into the gap of the spring lower seat.



### 4. INSTALL SUSPENSION SUPPORT

- (a) Install the suspension support to the piston rod and temporarily tighten a new nut.
- (b) Rotate the suspension support and set it in the direction shown in the illustration.
- (c) Remove the SST.  
SST 09727-30021

#### HINT:

After removing SST, again check the direction of the suspension support.

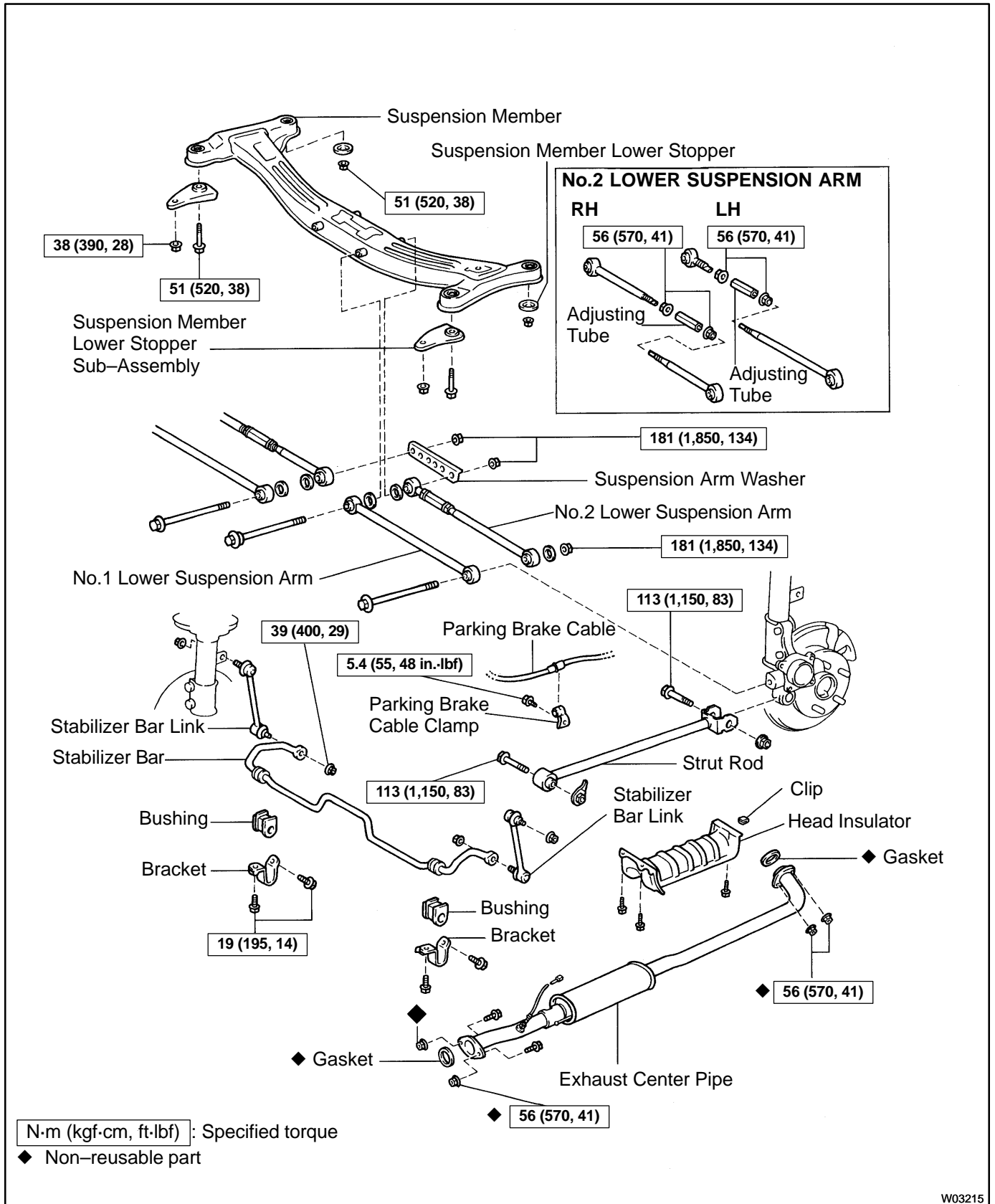
## INSTALLATION

Installation is in the reverse order of removal (See page [SA-51](#)).

**AFTER INSTALLATION, CHECK REAR WHEEL ALIGNMENT (See page [SA-7](#))**

# REAR LOWER SUSPENSION ARM AND STRUT ROD COMPONENTS

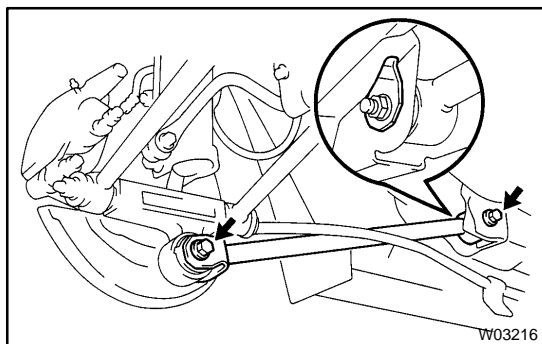
SA0F2-02



W03215

## REMOVAL

1. **REMOVE REAR WHEEL**  
Torque: 103 N·m (1,050 kgf·cm, 76 ft·lbf)
2. **REMOVE EXHAUST CENTER PIPE**
3. **REMOVE STRUT ROD**
  - (a) Remove the bolt and disconnect the parking brake cable.  
Torque: 5.4 N·m (55 kgf·cm, 48 in.-lbf)

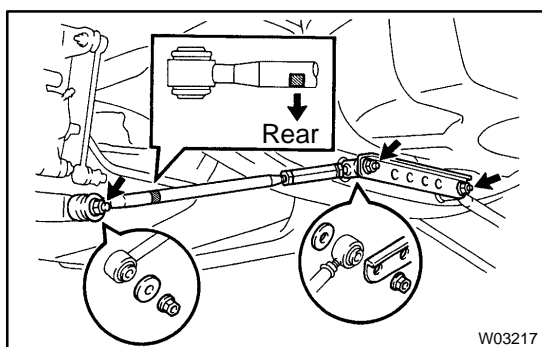


- (b) Remove the 2 bolts and nuts.  
Torque: 113 N·m (1,150 kgf·cm, 83 ft·lbf)

### HINT:

At the time of installation, after stabilizing the suspension, torque the bolts.

- (c) Remove the strut rod.



## 4. REMOVE NO.2 LOWER SUSPENSION ARM

- (a) Remove the 3 nuts, suspension arm washer and washers.  
Torque: 181 N·m (1,850 kgf·cm, 134 ft·lbf)

### HINT:

At the time of installation, after stabilizing the suspension, torque the nuts.

- (b) Remove the No.2 lower suspension arm.

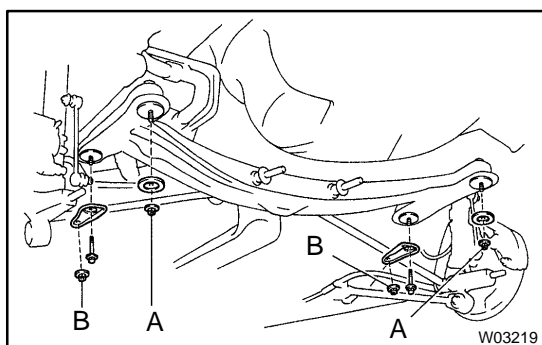
### HINT:

At the time of installation, face the paint mark to the rearward.

## 5. REMOVE LEFT AND RIGHT STABILIZER BRACKETS (See page SA-65)

## 6. REMOVE NO.1 LOWER SUSPENSION ARM

- (a) Support the suspension member with a jack.



- (b) Remove the 4 nuts, 2 bolts and suspension member lower stoppers.

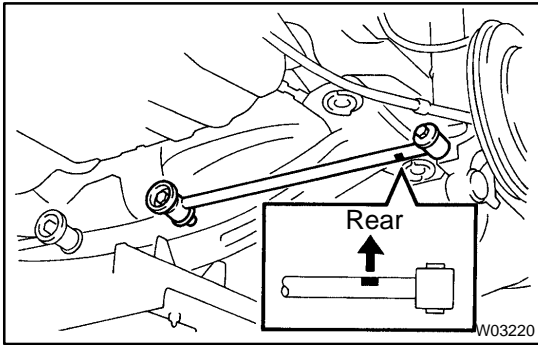
### Torque:

**Bolt: 51 N·m (520 kgf·cm, 38 ft·lbf)**

**Nut A: 51 N·m (520 kgf·cm, 38 ft·lbf)**

**Nut B: 38 N·m (390 kgf·cm, 28 ft·lbf)**

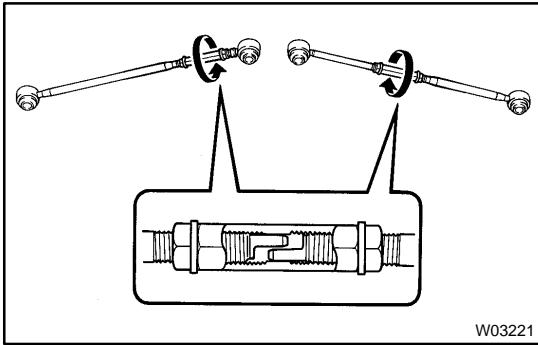
- (c) Lower the suspension member.



(d) Remove the No.1 lower suspension arm with the 2 bolts and washer.

HINT:

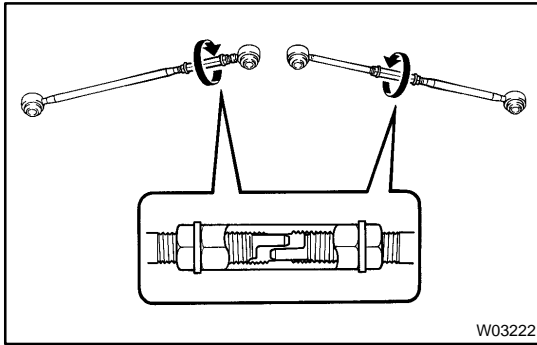
At the time of installation, face the paint mark to the rearward.



## DISASSEMBLY

### DISASSEMBLE NO.2 LOWER SUSPENSION ARM

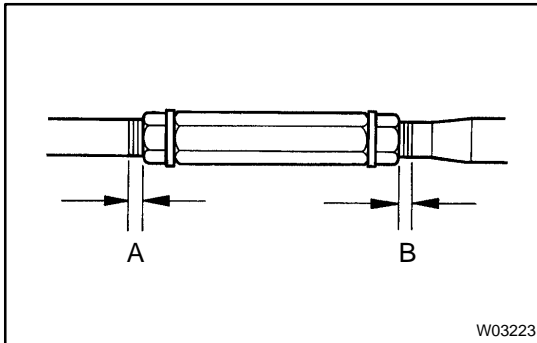
- (a) Loosen the 2 lock nuts.
- (b) Turn and disassemble the No.2 lower suspension arm.
- (c) Remove the lock nuts from the No.2 lower suspension arm.



## REASSEMBLY

### ASSEMBLE NO.2 LOWER SUSPENSION ARM

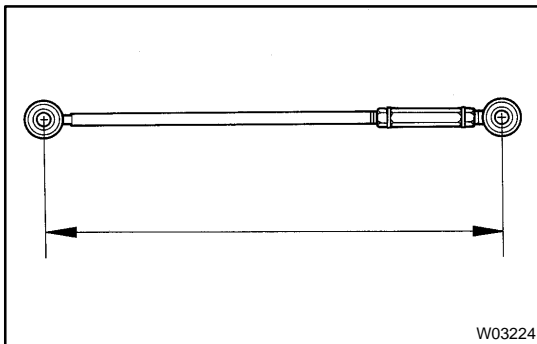
- (a) Install the 2 lock nuts to the No.2 lower suspension arm.
- (b) Turn the adjusting tube and assemble the No.2 lower suspension arm.



#### HINT:

When assembling the No.2 lower suspension arm, try to make dimensions A and B shown in the illustration as close as possible.

**Maximum difference: 3.0 mm (0.118 in.)**



- (c) Adjust the No.2 lower suspension arm length by turning the adjusting tube.

**Arm length: 512.3 mm (20.169 in.)**

- (d) Temporarily tighten the 2 lock nuts (See page SA-7).

#### HINT:

After adjusting the rear wheel alignment, torque the lock nuts.

**Torque: 56 N·m (570 kgf-cm, 41 ft-lbf)**

## INSTALLATION

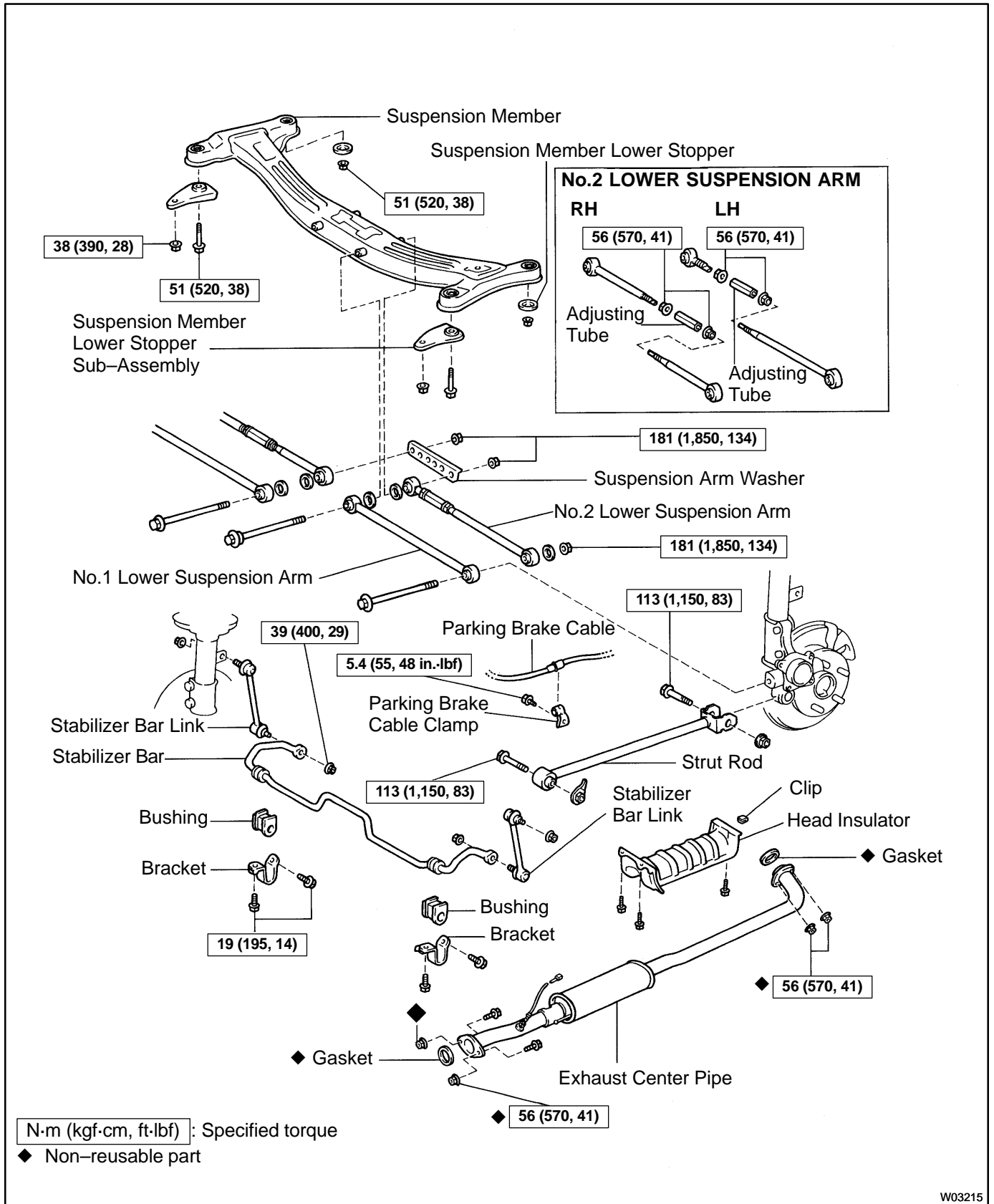
Installation is in the reverse order of removal (See page [SA-59](#)).

**AFTER INSTALLATION, CHECK REAR WHEEL ALIGNMENT (See page [SA-7](#))**

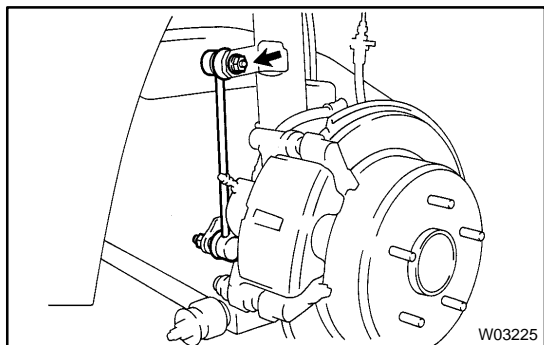


# REAR STABILIZER BAR COMPONENTS

SA0F7-02



W03215



## REMOVAL

### 1. REMOVE REAR WHEELS

**Torque: 103 N·m (1,050 kgf·cm, 76 ft·lbf)**

### 2. REMOVE LEFT AND RIGHT STABILIZER BAR LINKS

Remove the 4 nuts and 2 links.

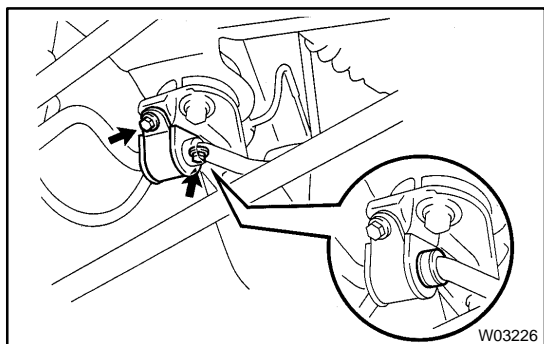
#### HINT:

If the ball joint turns together with the nut, use a 5 mm hexagon wrench to hold the stud.

**Torque: 39 N·m (400 kgf·cm, 29 ft·lbf)**

### 3. REMOVE HEAT INSULATOR

Remove the 3 bolts, clip and heat insulator.



### 4. REMOVE LEFT AND RIGHT BRACKETS AND BUSHINGS

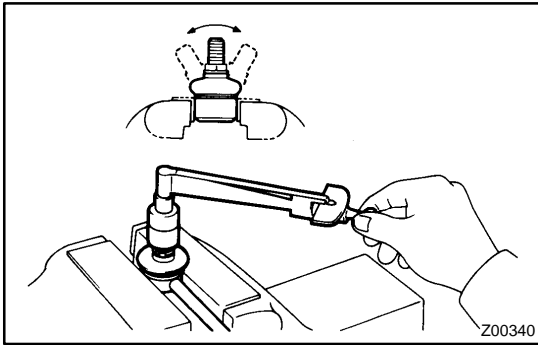
Remove the 4 bolts, 2 brackets and bushings.

**Torque: 19 N·m (195 kgf·cm, 14 ft·lbf)**

#### HINT:

At the time of installation, install the bushing to the outside of the bushing on the stabilizer bar.

### 5. REMOVE STABILIZER BAR



## INSPECTION

### INSPECT STABILIZER BAR LINK BALL JOINT FOR ROTATION CONDITION

- (a) As shown, flip the ball joint stud back and forth 5 times, before installing the nut.
- (b) Using a torque wrench, turn the nut continuously one turn each 2 – 4 seconds and take the torque reading on the 5th turn.

#### Turning torque:

**0.05 – 1.0 N·m (0.5 – 10 kgf·cm, 0.4 – 8.7 in.-lbf)**

## INSTALLATION

Installation is in the reverse order of removal (See page [SA-65](#)).