



**Technical Service
Information Bulletin**

April 2, 1999

Title:

DIAGNOSTIC TROUBLE CODE P0446

Models:

'99 ES 300

**ENGINE
EG002-99**

Introduction Under certain driving conditions, some 1999 Model Year ES 300s will exhibit a false M.I.L. "ON" DTC P0446. A Vacuum Control Valve Assembly has been developed to prevent this condition.

**Production
Change
Information**

MODEL	VIN RANGE	
	FROM	TO
ES 300	JT8BF28G*X0146113	JT8BF28G*X0164251
	JT8BF28G*X5051668	JT8BF28G*X5058797

“*” May be any number from 0 to 9 or an X.

**Parts
Information**

PREVIOUS PART NUMBER	CURRENT PART NUMBER	PART NAME
N/A	25852-20010	Valve, Vacuum Control with Hoses

**Warranty
Information**

OP CODE	DESCRIPTION	TIME	OPN	T1	T2
8602L2	Vacuum Control Valve	0.5	25852-20010	99	99

Applicable Warranty*:

This repair is covered under the Lexus Basic Warranty. This warranty is in effect for 48 months or 50,000 miles, whichever occurs first, from the vehicle's in-service date.

* Warranty application is limited to correction of a problem based upon a customer's specific complaint.

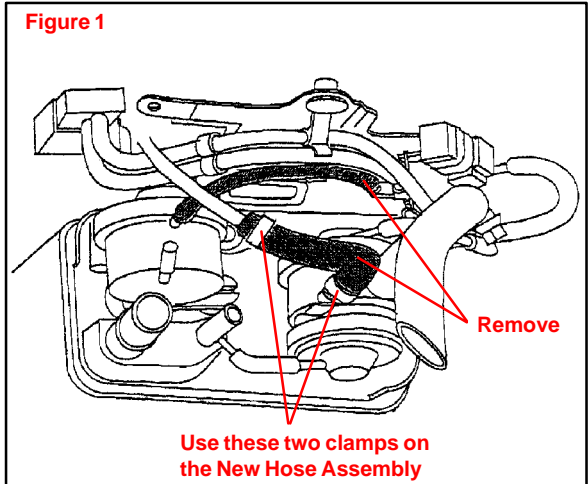
NOTE:

Please enter the DTC P0446 in the Condition/Cause/Remedy Section when applying for Warranty Reimbursement.

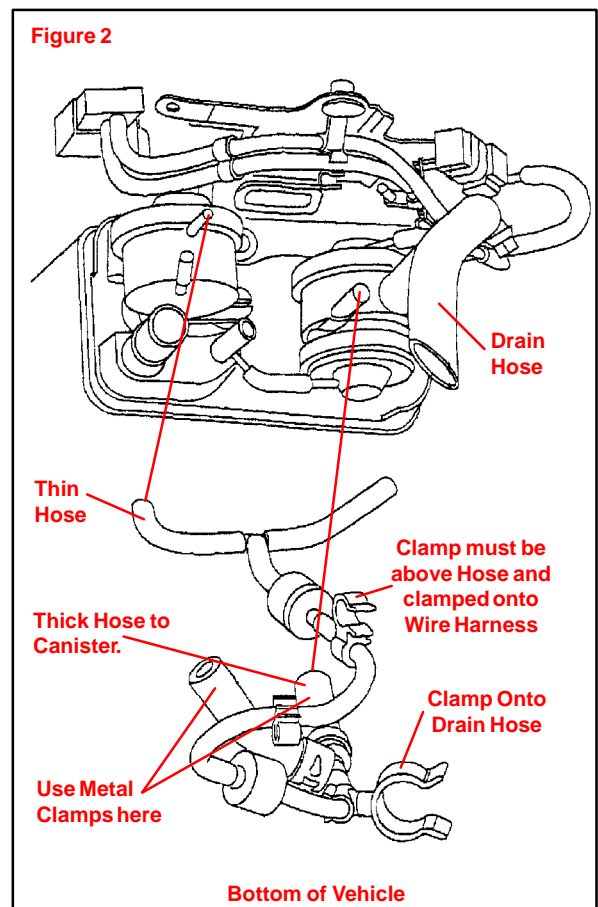


Repair Procedure

1. Verify that the Purge System is operating as specified in the Repair Manual.
2. Raise vehicle on lift to gain access to the Purge Canister and remove the two Vacuum Lines indicated in Figure 1. Save the Metal Clamps from the larger hoses for reuse.

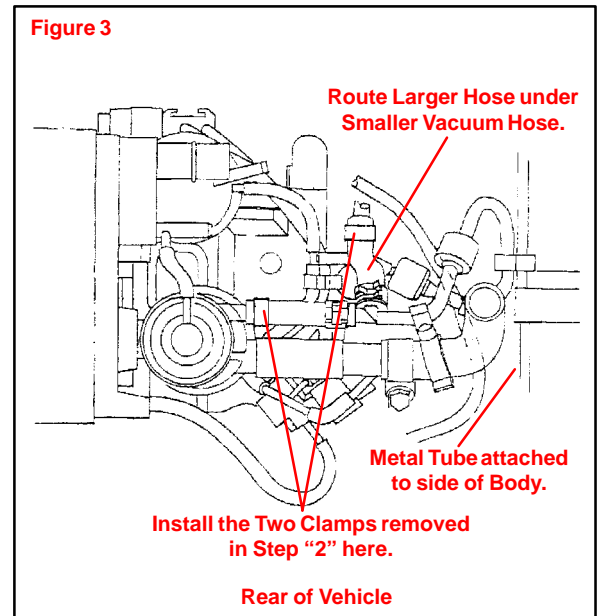


3. Install the New Hose Assembly as shown in Figure 2. Reuse the Hose Clamps removed in Step 2 on the large hose as indicated.



**Repair
Procedure**
(Continued)

4. Verify that the Vacuum Hose Assembly is installed as shown in Figure 3.



5. After lowering vehicle verify that the Gas Cap is on securely.