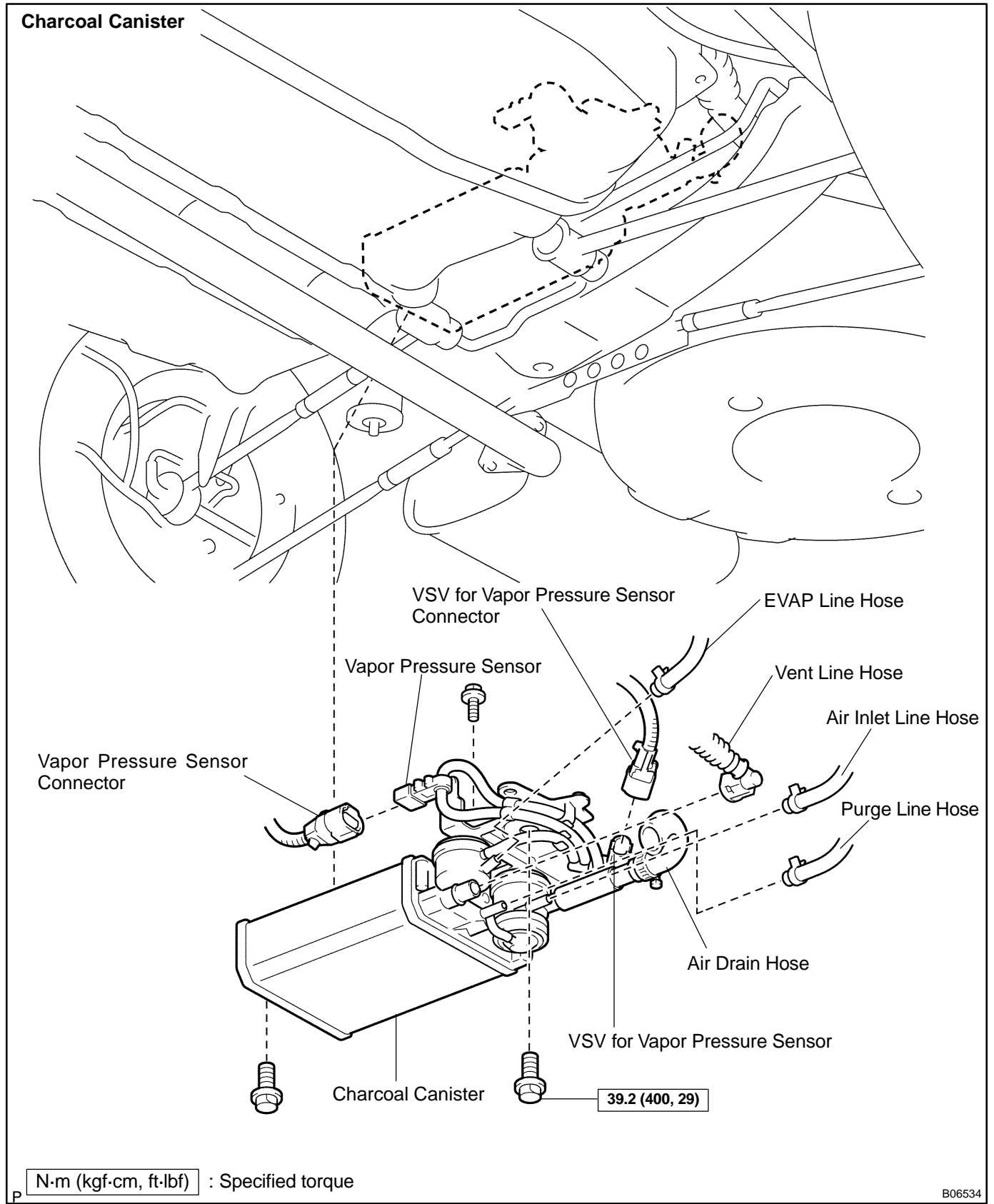


EVAPORATIVE EMISSION (EVAP) CONTROL SYSTEM COMPONENTS

EC0BF-01



N·m (kgf·cm, ft·lbf) : Specified torque

B06534