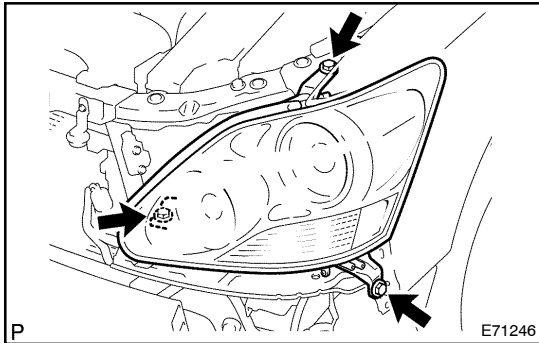


OVERHAUL

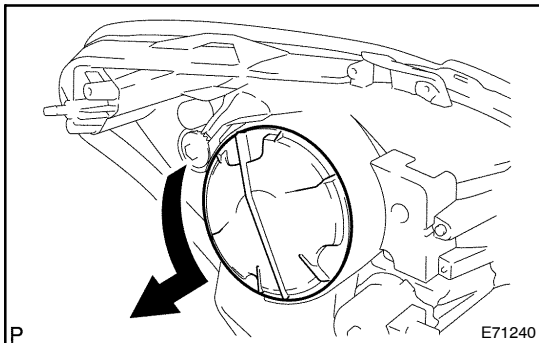
HINT:

- Use the same procedures for the RH side and LH side.
 - The procedures listed below are for the LH side.
 - Reassembly is in the reverse order of overhaul.
1. REMOVE ENGINE UNDER COVER NO.1 (SEE PAGE 76-3)
 2. REMOVE FRONT FENDER LINER LH (SEE PAGE 76-3)
 3. REMOVE FRONT FENDER LINER RH (SEE PAGE 76-3)
 4. REMOVE FRONT BUMPER COVER (SEE PAGE 76-3)



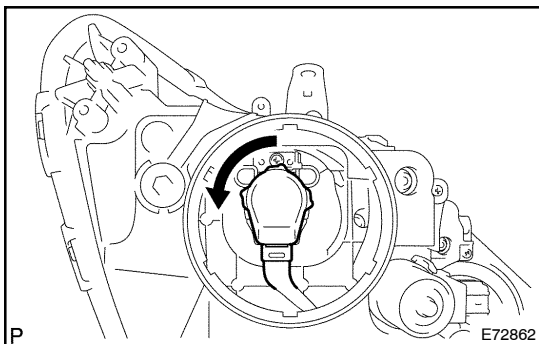
5. REMOVE LH HEADLAMP ASSY

- (a) Remove the 3 screws.
- (b) Pull out the LH headlamp assy forward.
- (c) Disconnect the connectors and remove the LH headlamp assy.

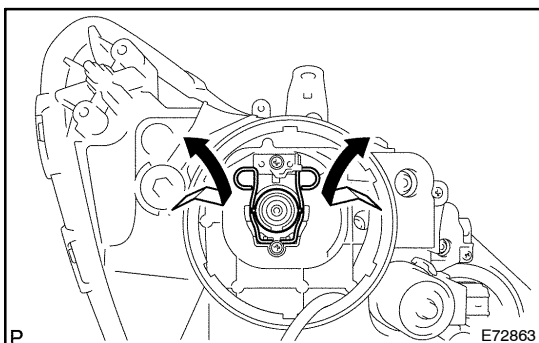


6. REMOVE DISCHARGE HEADLAMP BULB

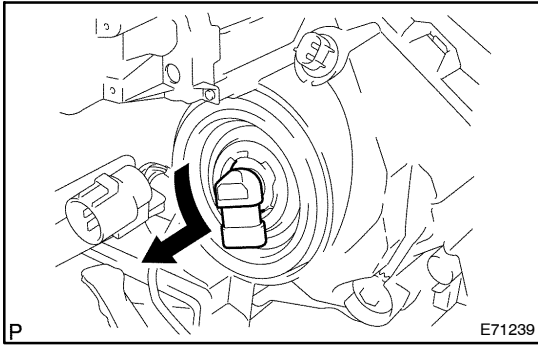
- (a) Turn the headlamp socket cover as shown in the illustration.



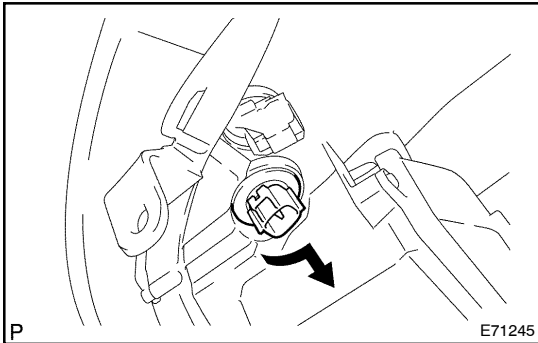
- (b) Remove the discharge headlamp bulb socket as shown in the illustration.



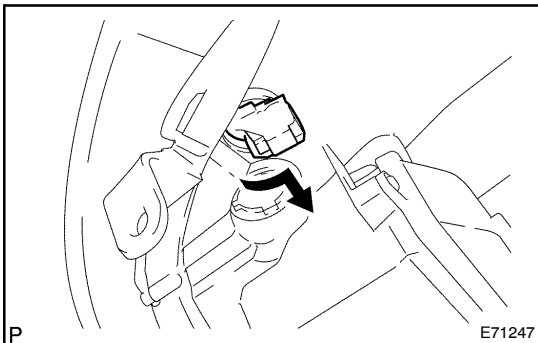
- (c) Release the lock of the set spring and remove the discharge headlamp bulb.

**7. REMOVE HEADLAMP, NO.2 BULB**

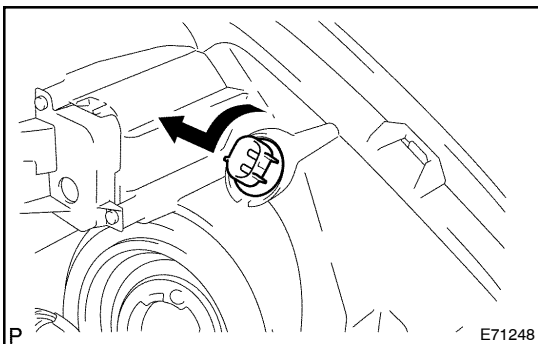
- (a) Remove the headlamp, No.2 bulb as shown in the illustration.

**8. REMOVE FRONT TURN SIGNAL LAMP BULB**

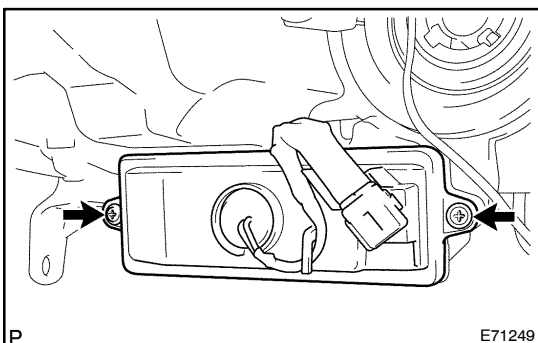
- (a) Remove the front turn signal lamp bulb and the front turn signal lamp socket as shown in the illustration.
 (b) Remove the front turn signal lamp bulb from the front turn signal lamp socket.

**9. REMOVE FRONT SIDE MAKER LAMP BULB**

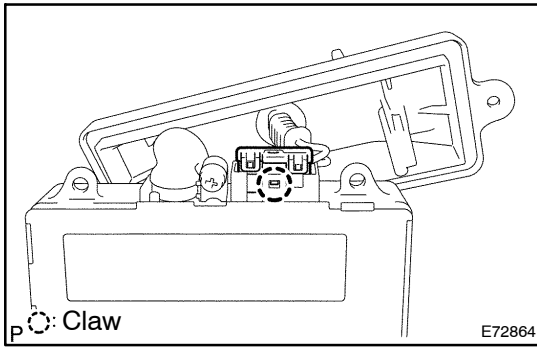
- (a) Remove the front side maker lamp bulb and the front side maker lamp socket as shown in the illustration.
 (b) Remove the front side maker lamp bulb from the front side maker lamp socket.

**10. REMOVE CLEARANCE LAMP BULB**

- (a) Remove the clearance lamp bulb and the clearance lamp bulb socket as shown in the illustration.
 (b) Remove the clearance lamp bulb from the clearance lamp bulb socket.

**11. REMOVE HEADLAMP COVER NO.1**

- (a) Remove the 2 screws and the headlamp cover No.1.



- (b) Release the claw fitting, disconnect the connector from the light control ECU and remove the headlamp cover No.1.
- (c) Remove the headlamp gasket from the headlamp cover No.1.

- 12. **INSTALL FRONT BUMPER COVER (SEE PAGE 76-3)**
- 13. **INSTALL FRONT FENDER LINER LH (SEE PAGE 76-3)**
- 14. **INSTALL FRONT FENDER LINER RH (SEE PAGE 76-3)**
- 15. **INSTALL ENGINE UNDER COVER NO.1 (SEE PAGE 76-3)**
- 16. **HEADLIGHT AIM ONLY (SEE PAGE 65-12)**
- 17. **ADJUST FOG LIGHT AIM (SEE PAGE 65-18)**