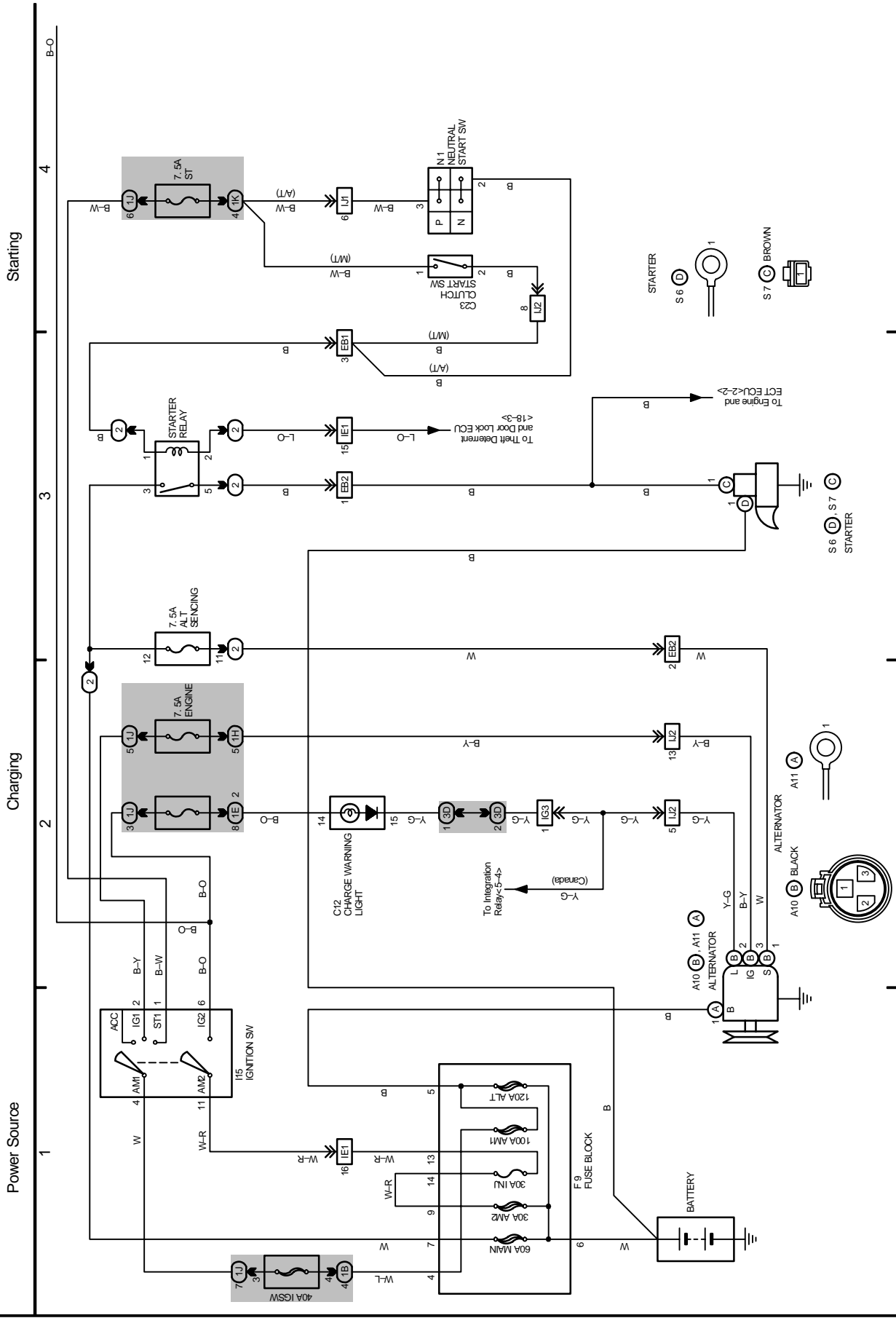


# OVERALL ELECTRICAL WIRING DIAGRAM

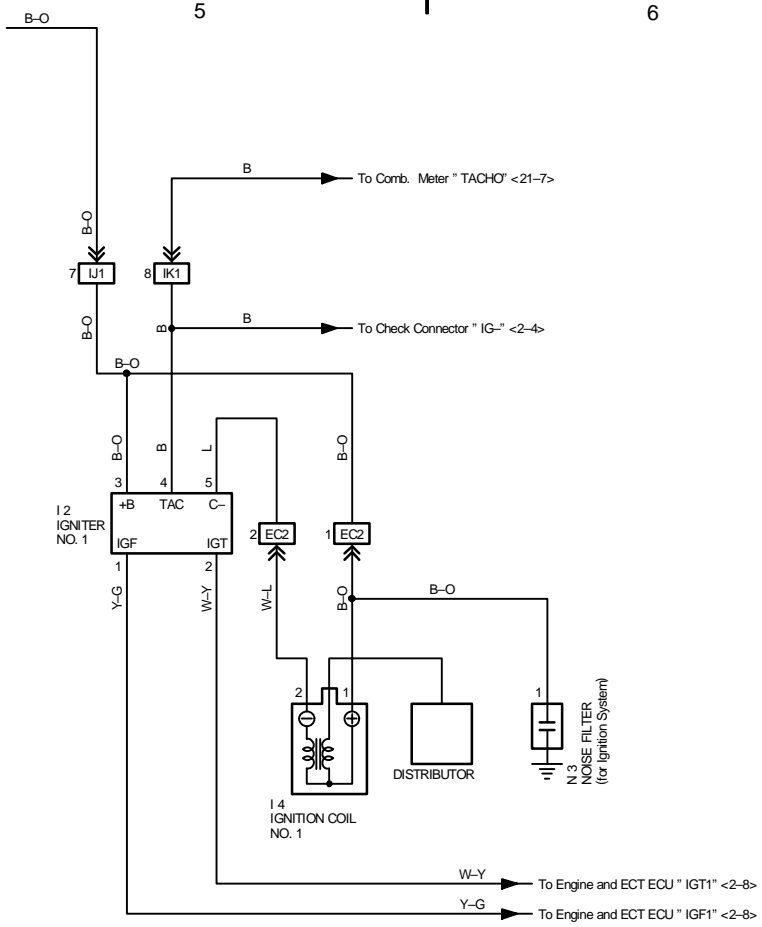
1 LEXUS SC300

(Cont. next page)



# 1 LEXUS SC300(Cont' d)

## Ignition



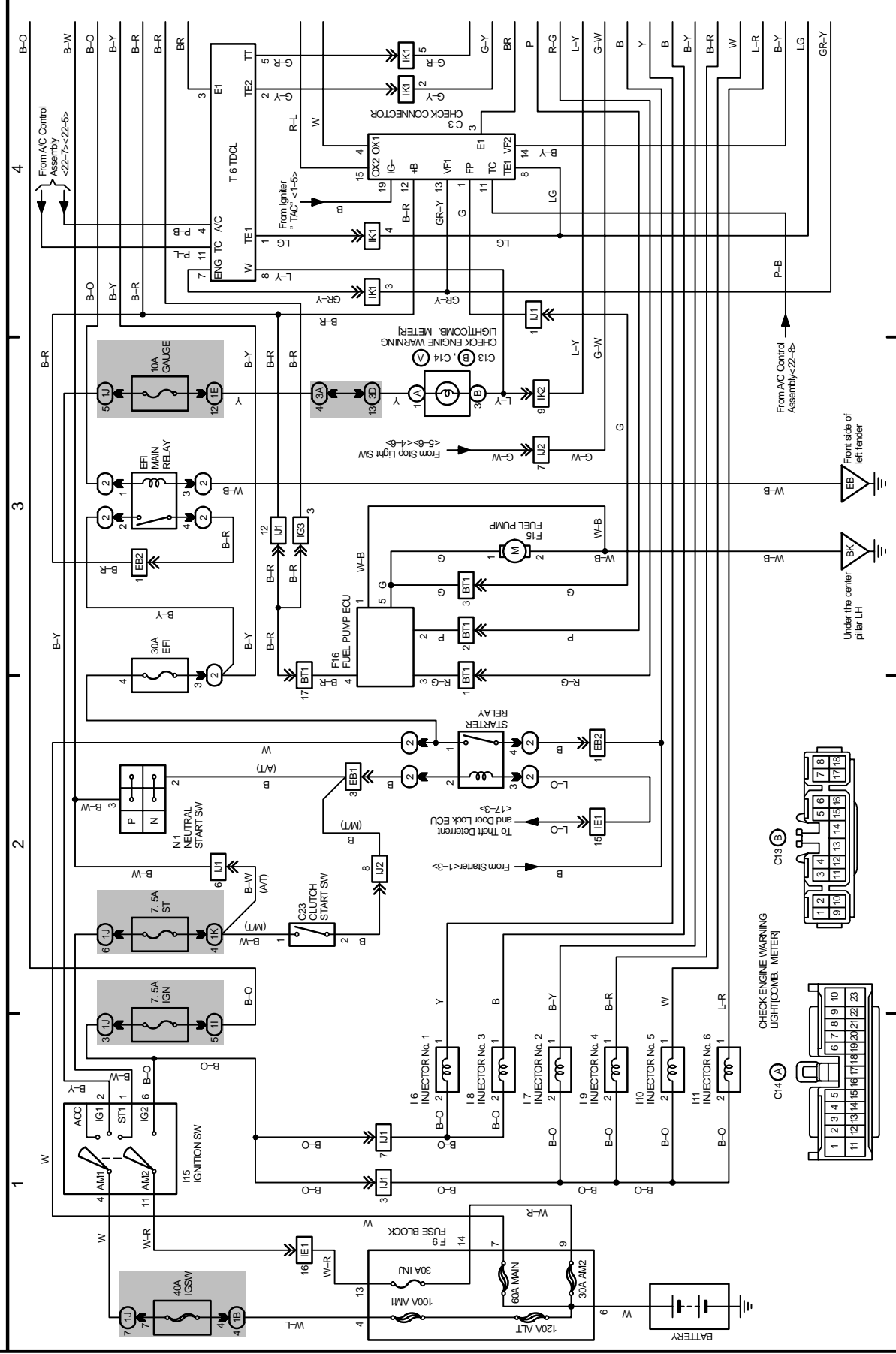
# OVERALL ELECTRICAL WIRING DIAGRAM

2 LEXUS SC300

(Cont. next page)

- \*1 : (w/ Traction Control)
- \*2 : (w/o Traction Control)
- \*3 : (USA Spec.)
- \*4 : (Ex. USA Spec.)

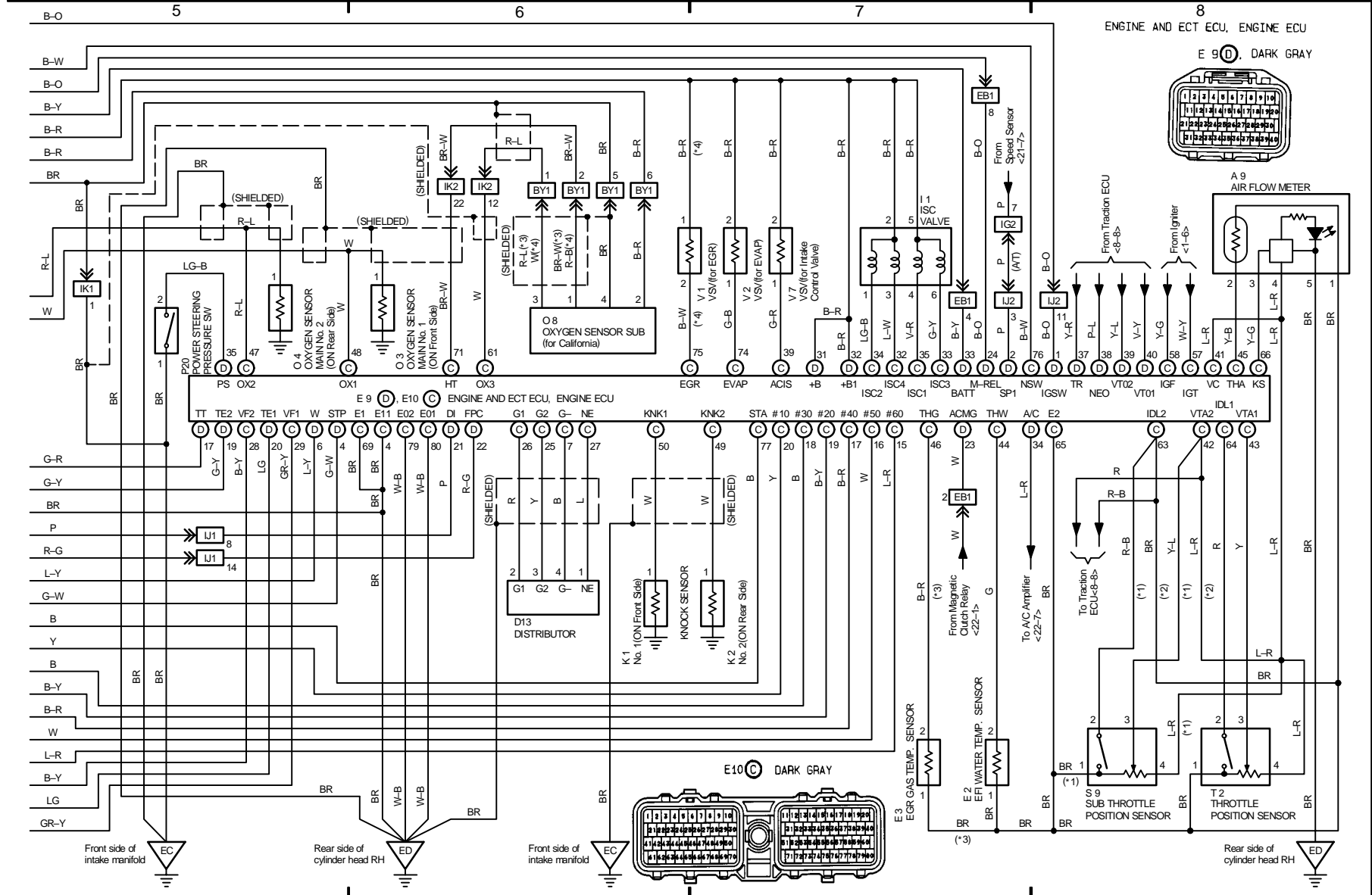
## Engine Control



## 2 LEXUS SC300(Cont' d)

### Engine Control

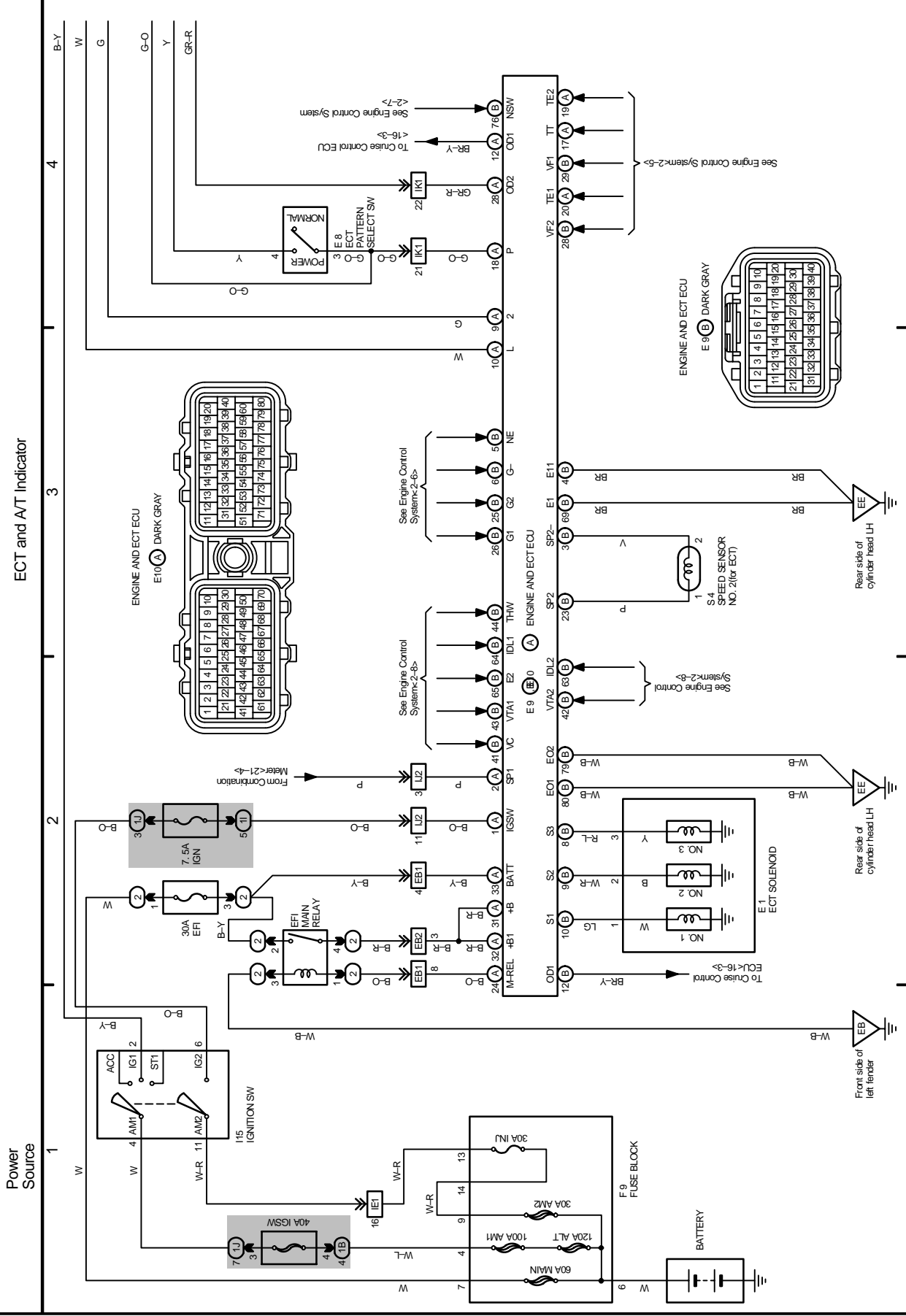
- \*1: (w/ Traction Control)
- \*2: (w/o Traction Control)
- \*3: (USA Spec.)
- \*4: (Ex. USA Spec.)



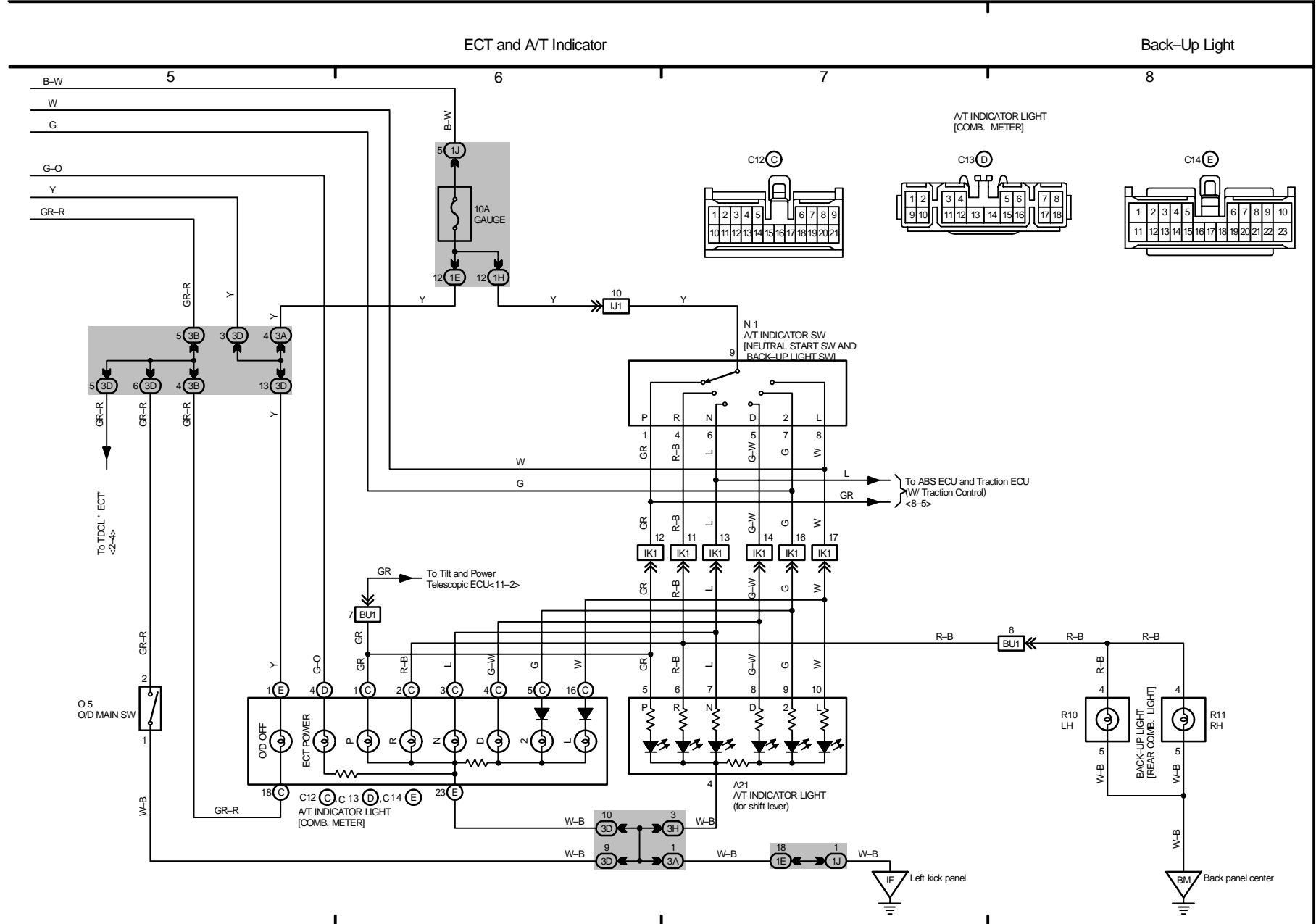
# OVERALL ELECTRICAL WIRING DIAGRAM

3 LEXUS SC300

(Cont. next page)



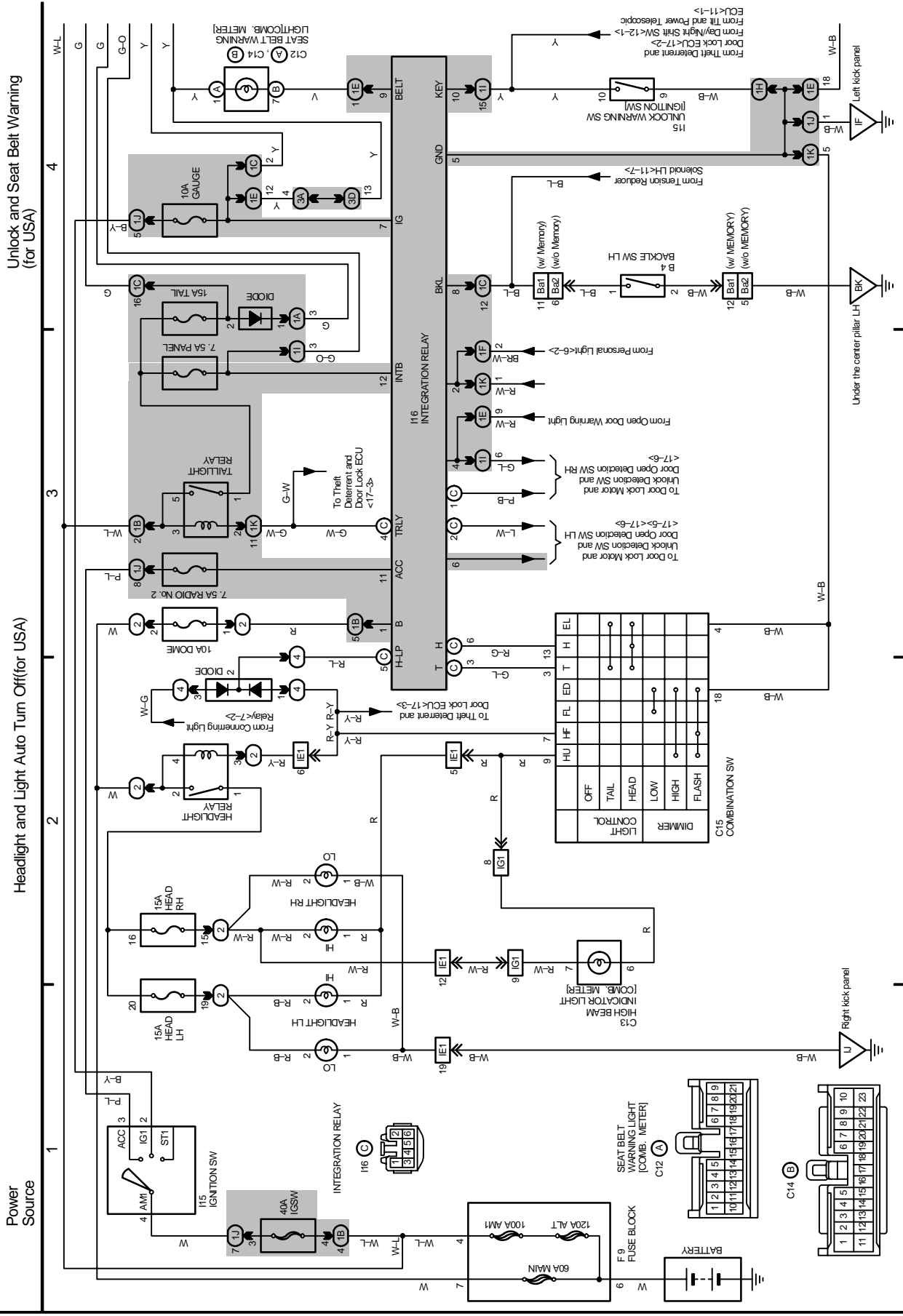
### 3 LEXUS SC300(Con' t)



# OVERALL ELECTRICAL WIRING DIAGRAM

4 LEXUS SC300

(Cont. next page)

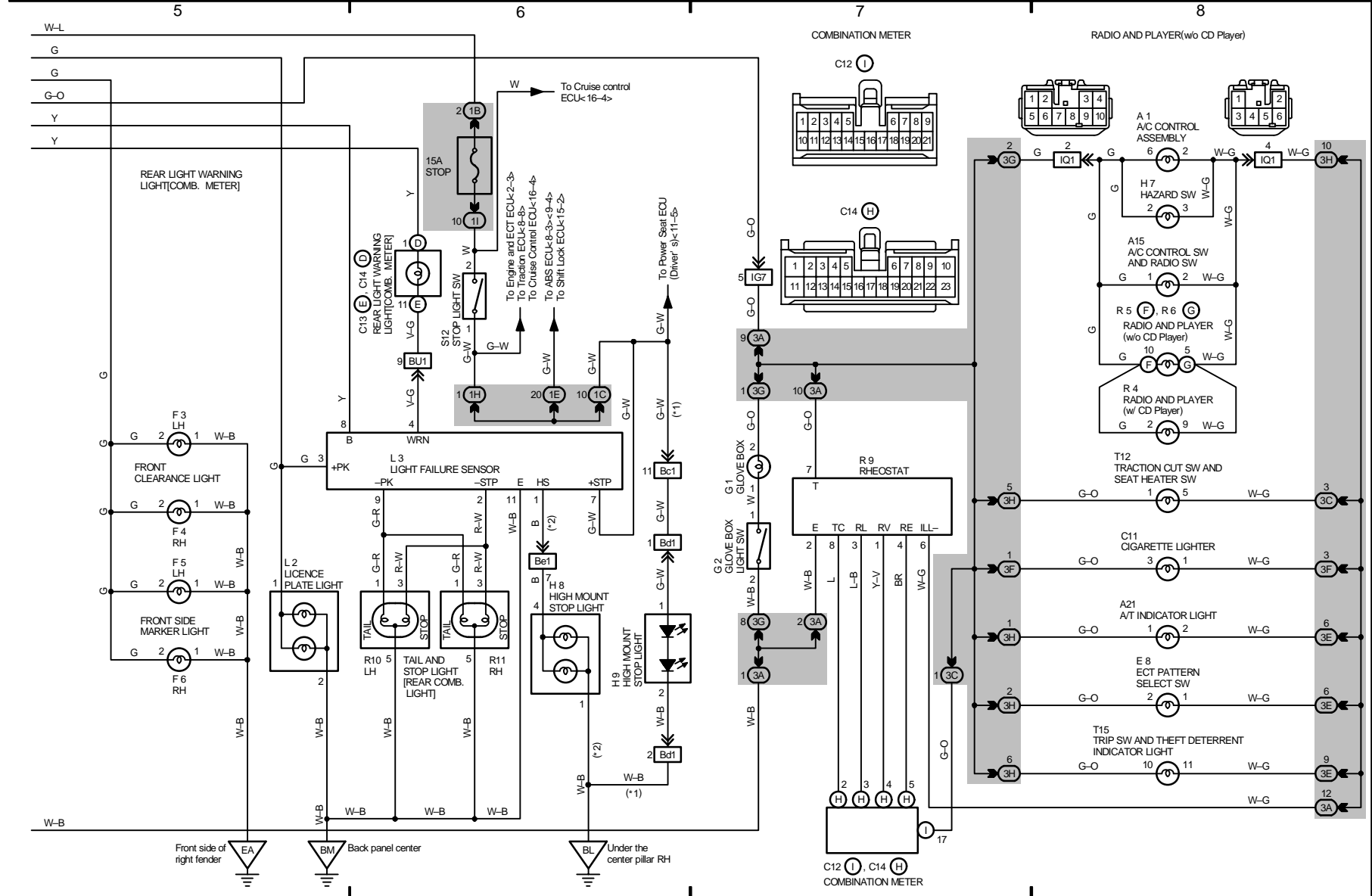


4 LEXUS SC300(Cont' d)

Taillight and Stop Light(for USA)

Illumination(for USA)

\*1: (w/ Rear Spoiler)  
 \*2: (w/o Rear Spoiler)





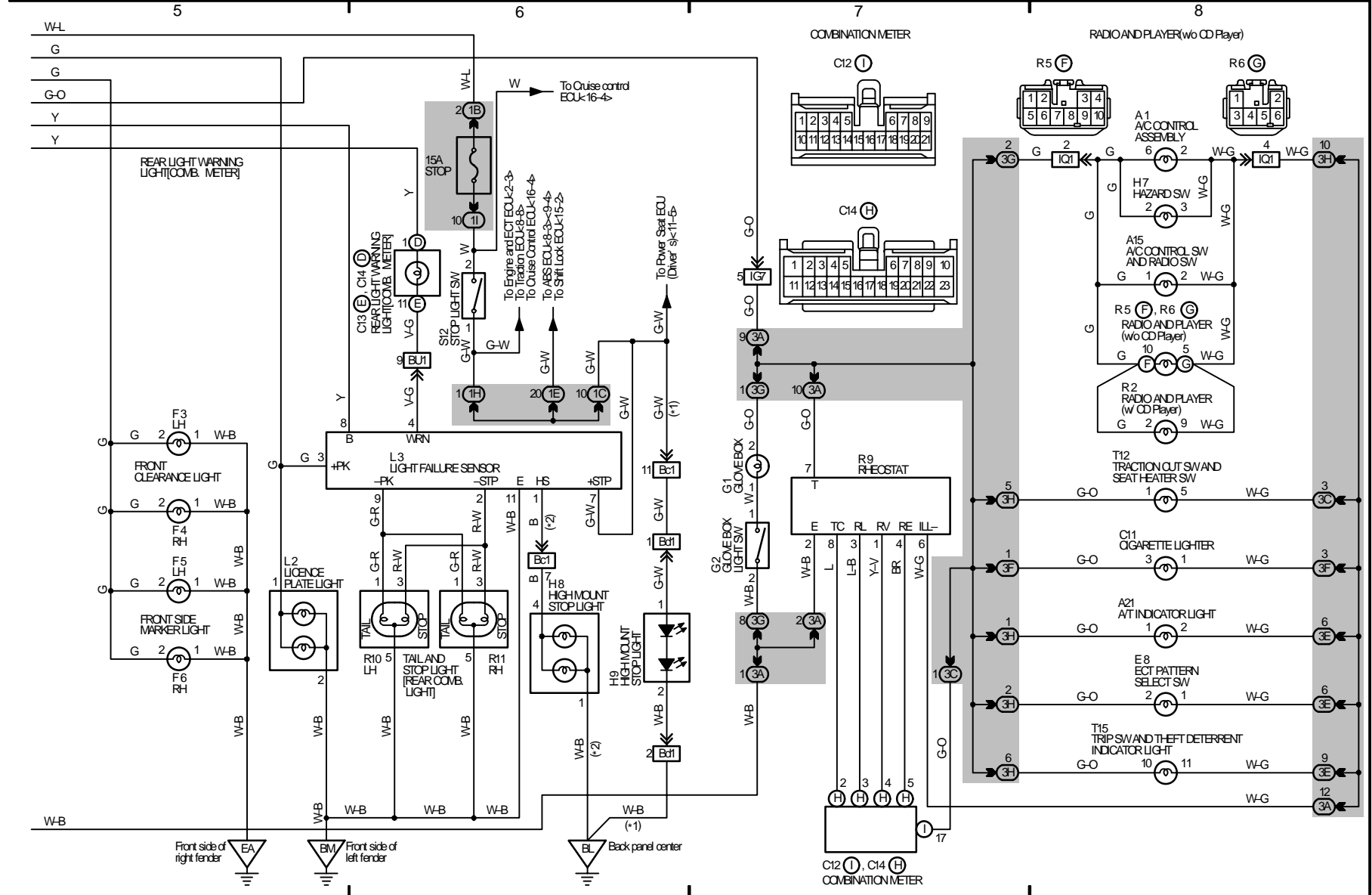


5 LEXUS SC300(Cont' d)

Taillight and Stop Light(for Canada)

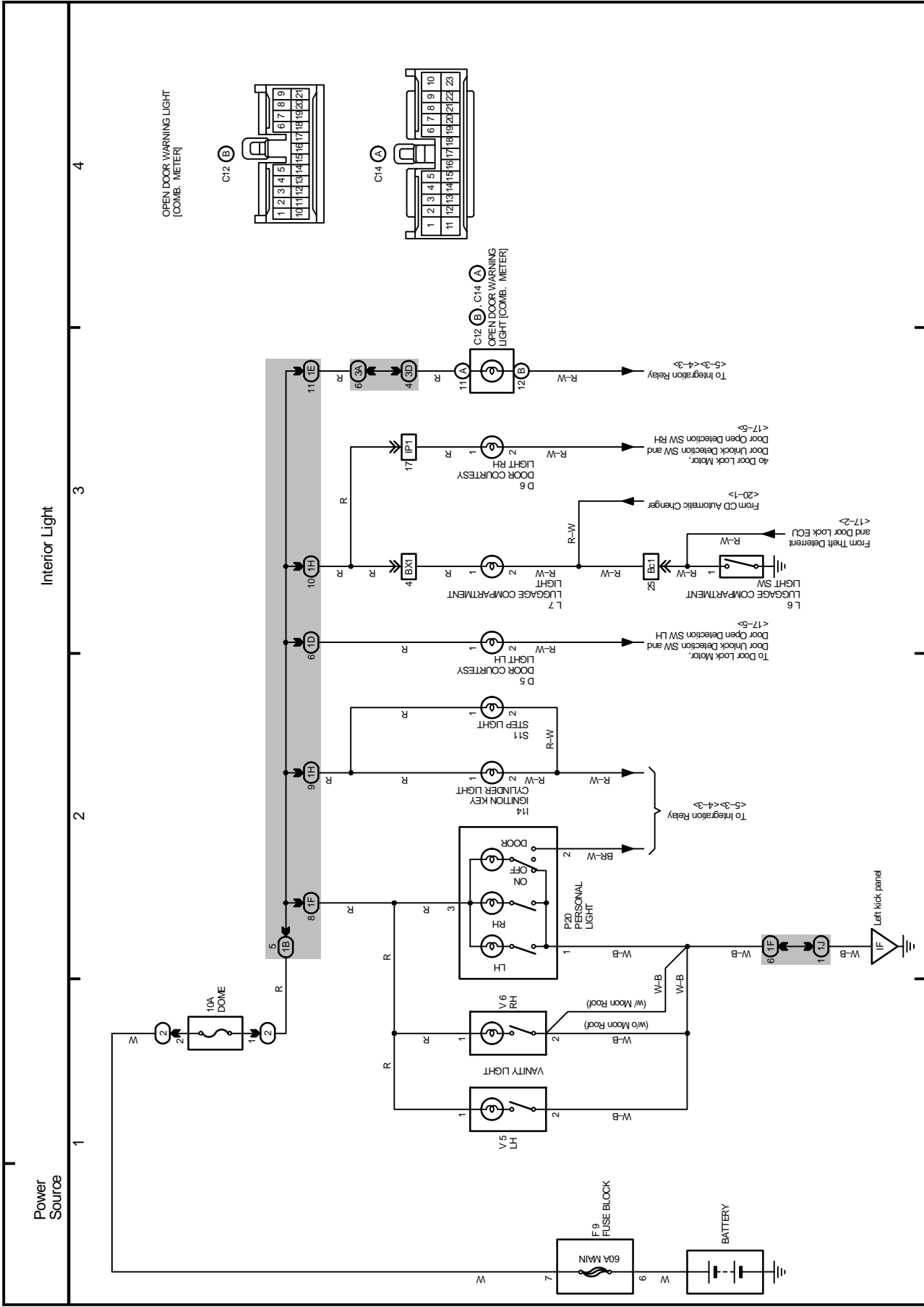
Illumination(for Canada)

\*1: (w Rear Spoiler)  
 \*2: (wo Rear Spoiler)

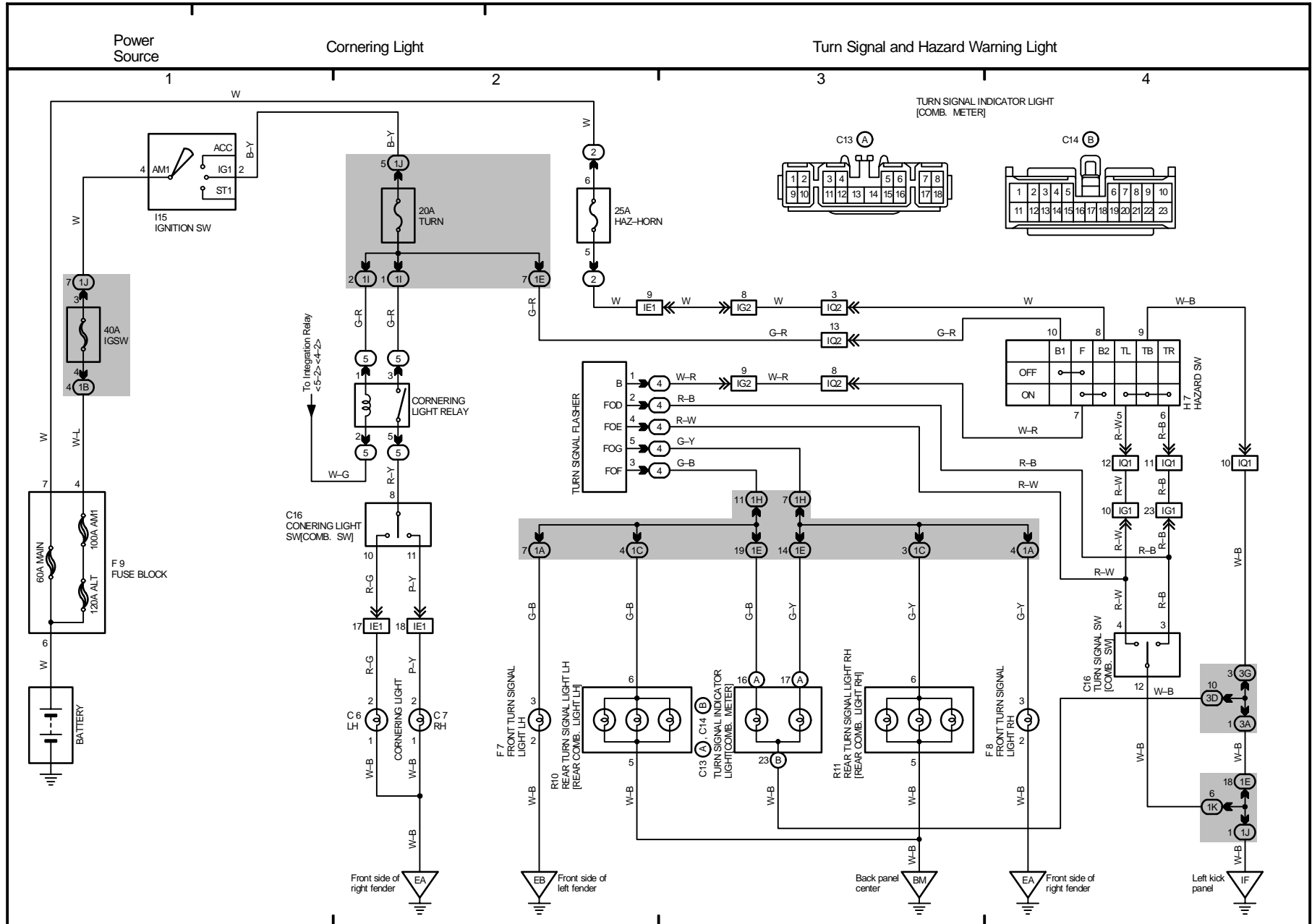


# OVERALL ELECTRICAL WIRING DIAGRAM

## 6 LEXUS SC300



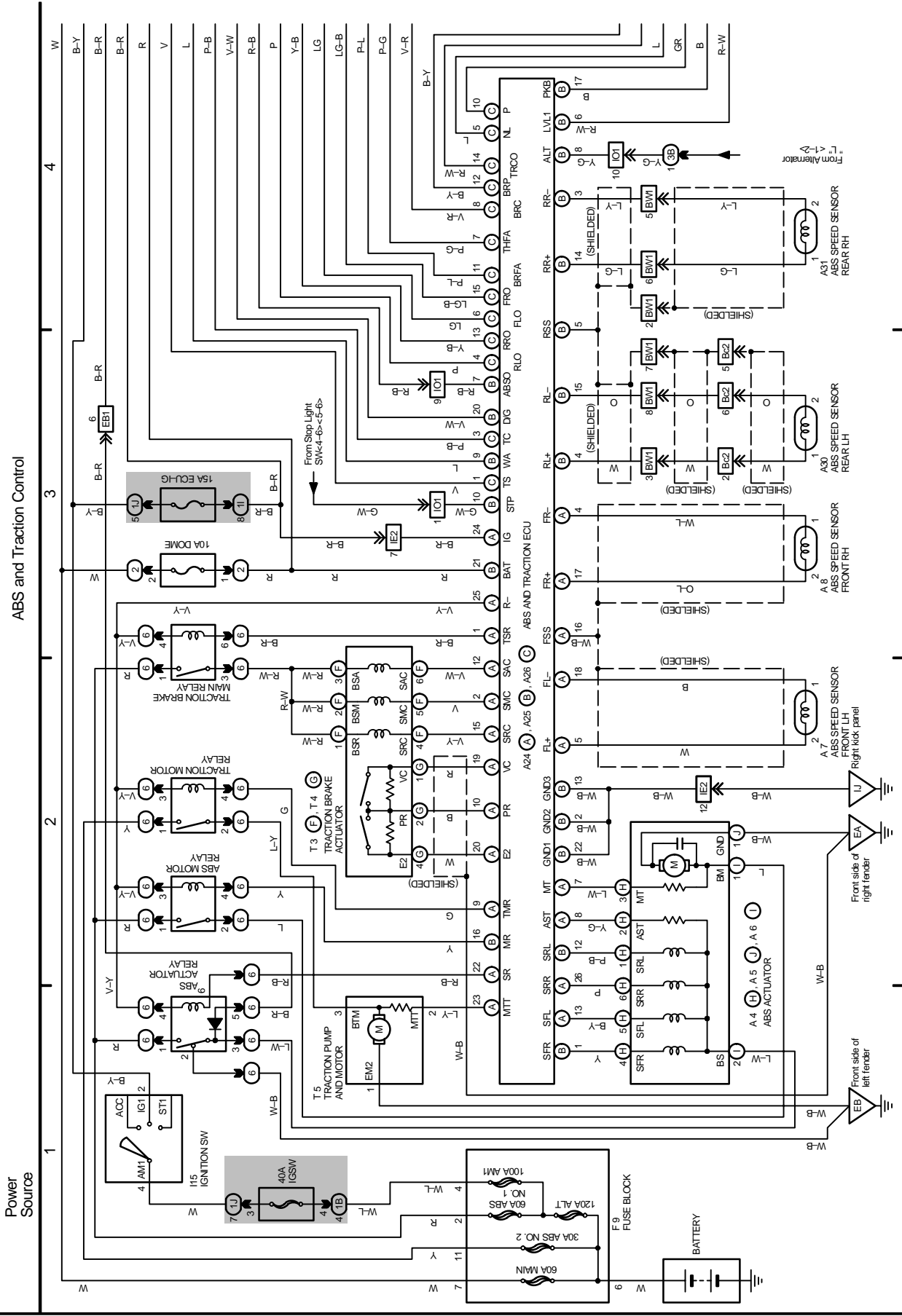
# 7 LEXUS SC300



# OVERALL ELECTRICAL WIRING DIAGRAM

8 LEXUS SC300

(Cont. next page)

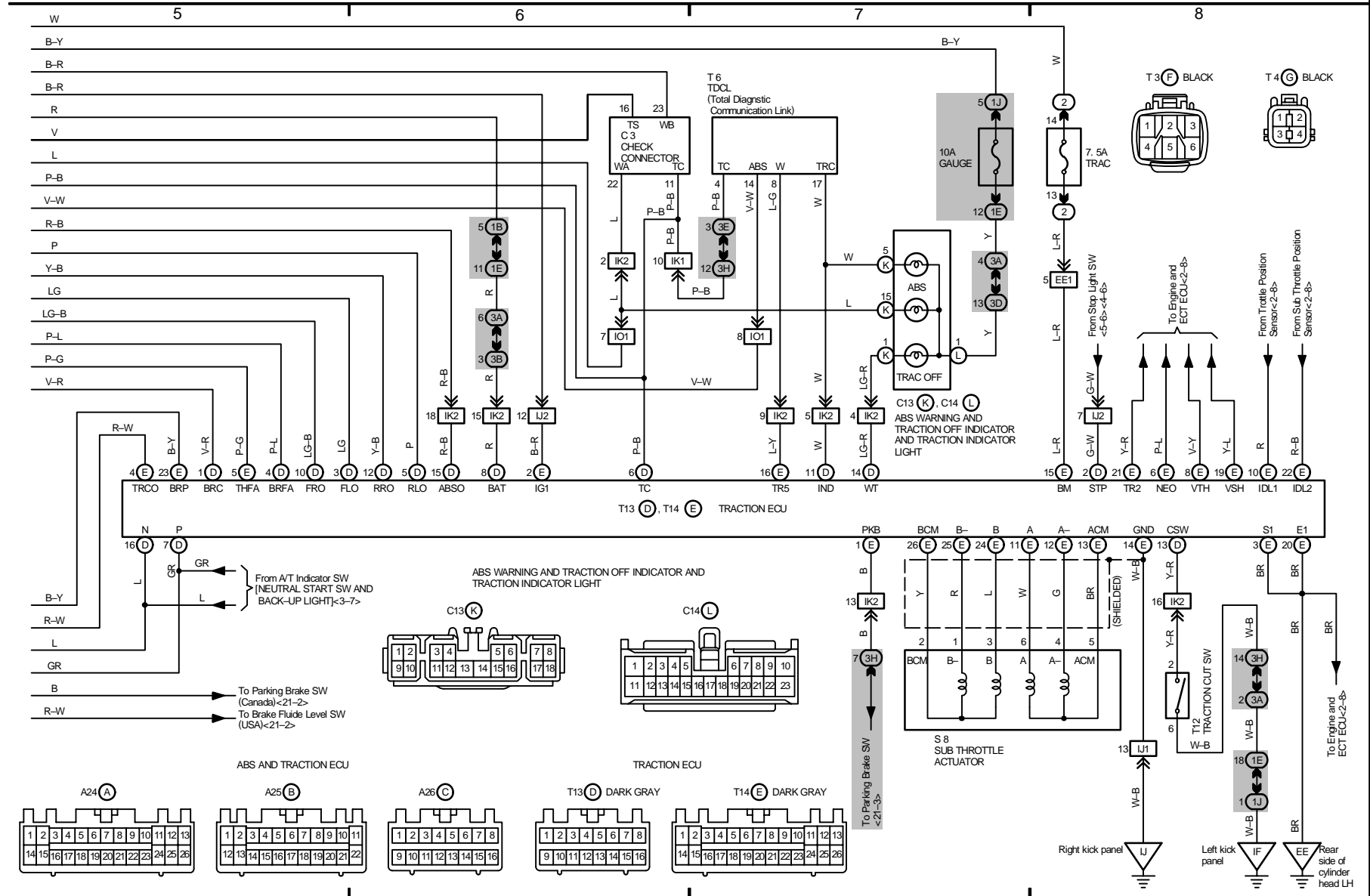


## ABS and Traction Control

W 7 11 W 6 W 4 W 3 W 2 W 1

# 8 LEXUS SC300(Cont' d)

## ABS and Traction Control

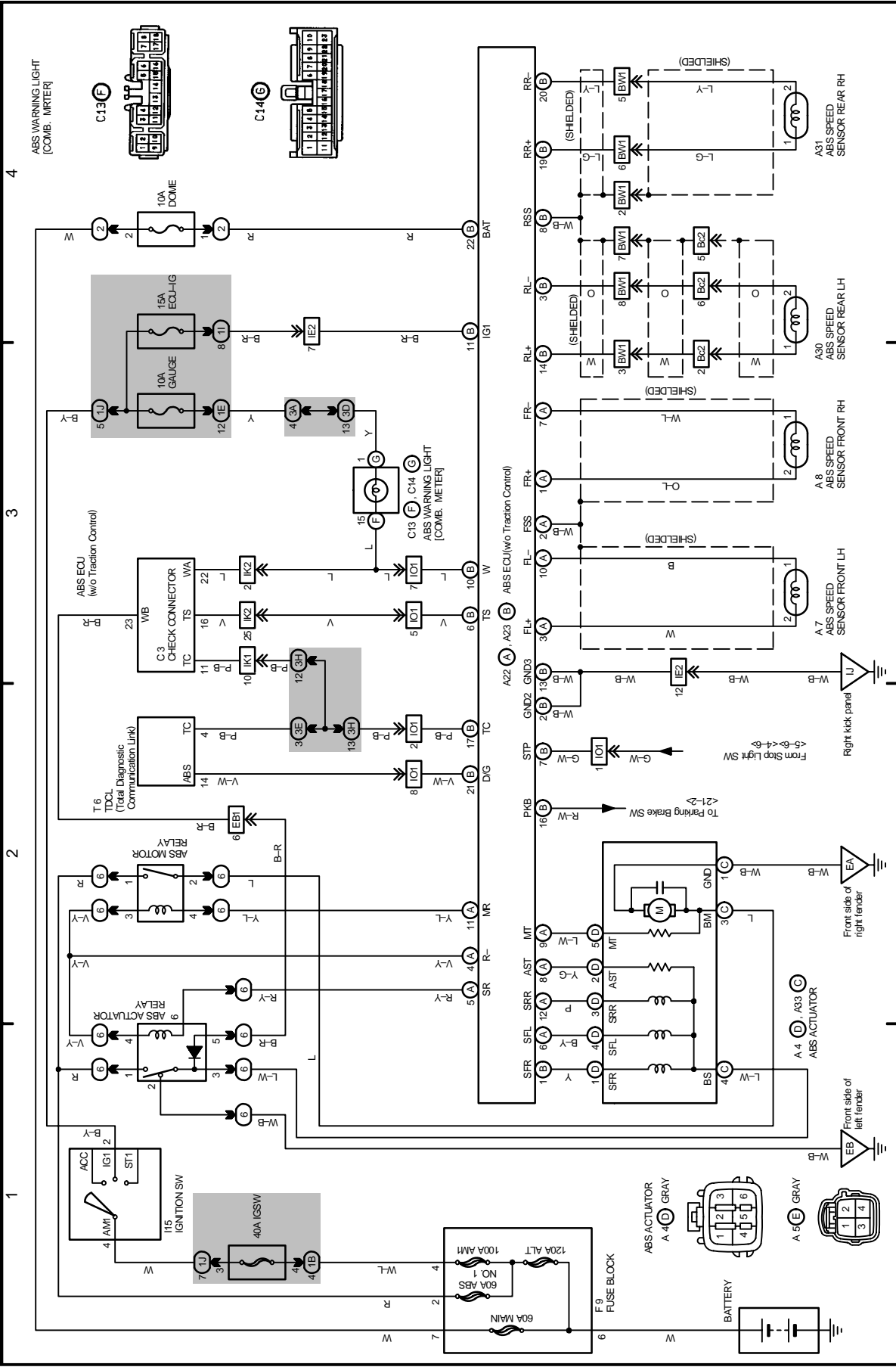


# OVERALL ELECTRICAL WIRING DIAGRAM

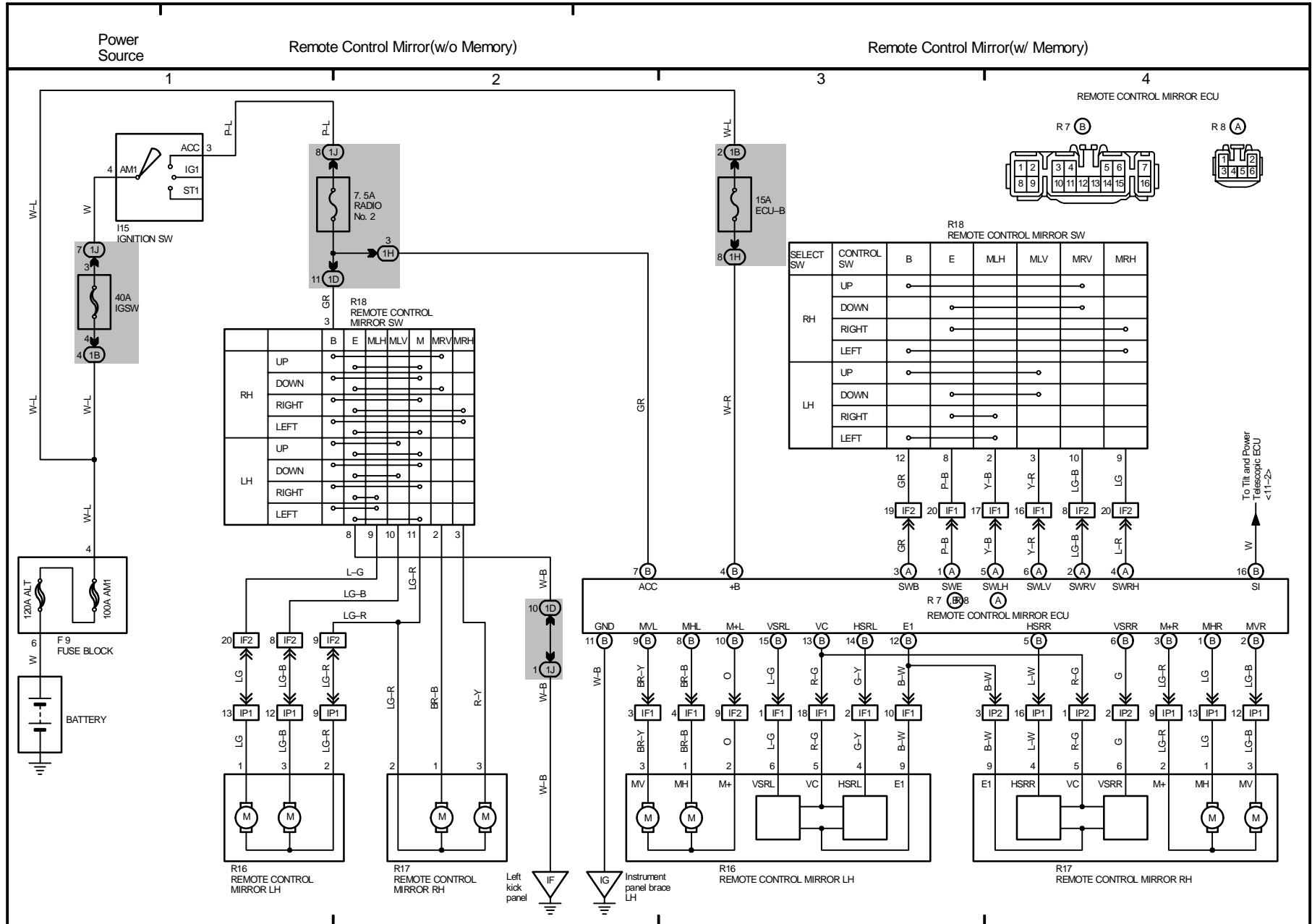
## 9 LEXUS SC300

### ABS(Anti-Lock Brake System)

Power Source



# 10 LEXUS SC300

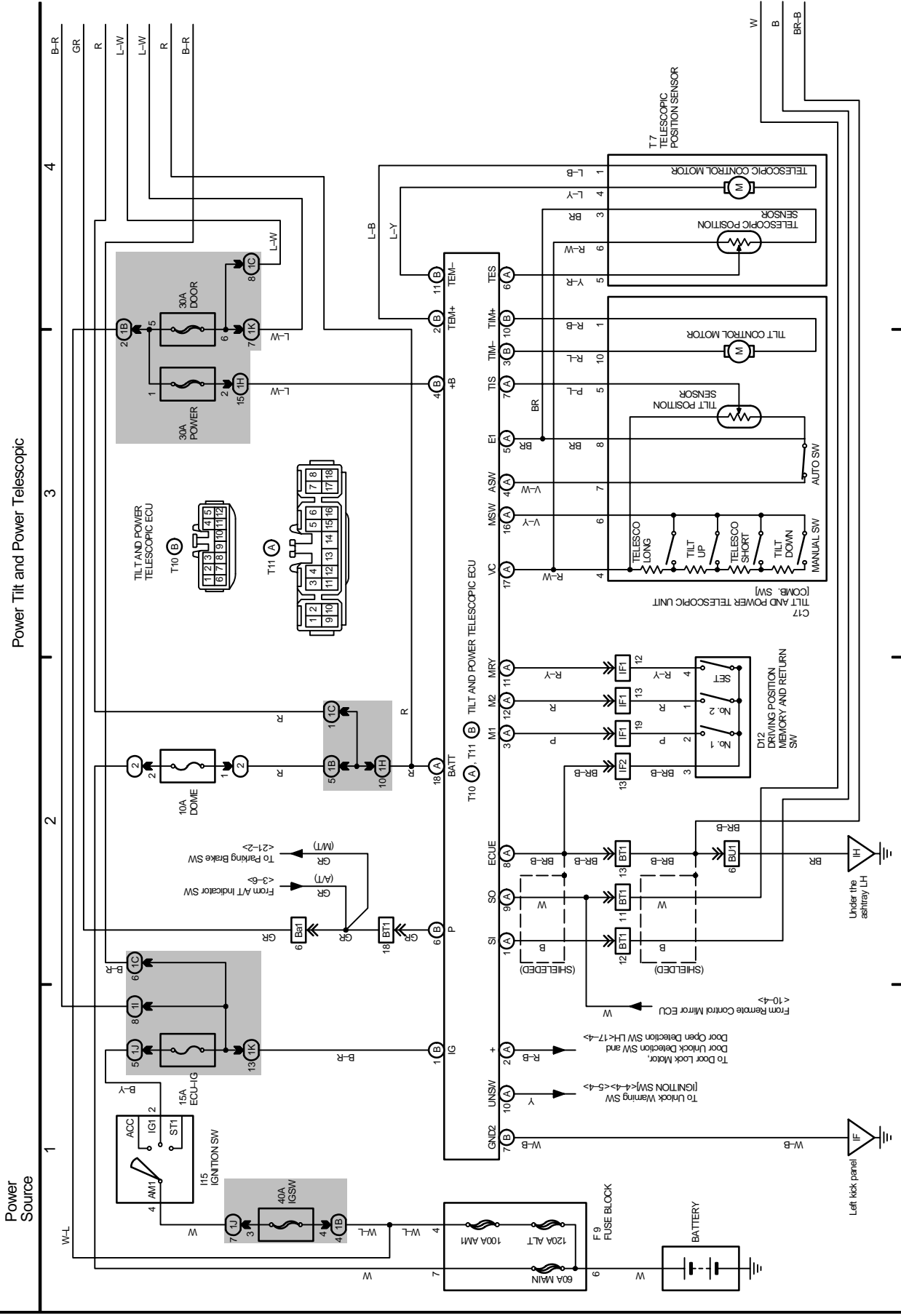




# OVERALL ELECTRICAL WIRING DIAGRAM

11 LEXUS SC300

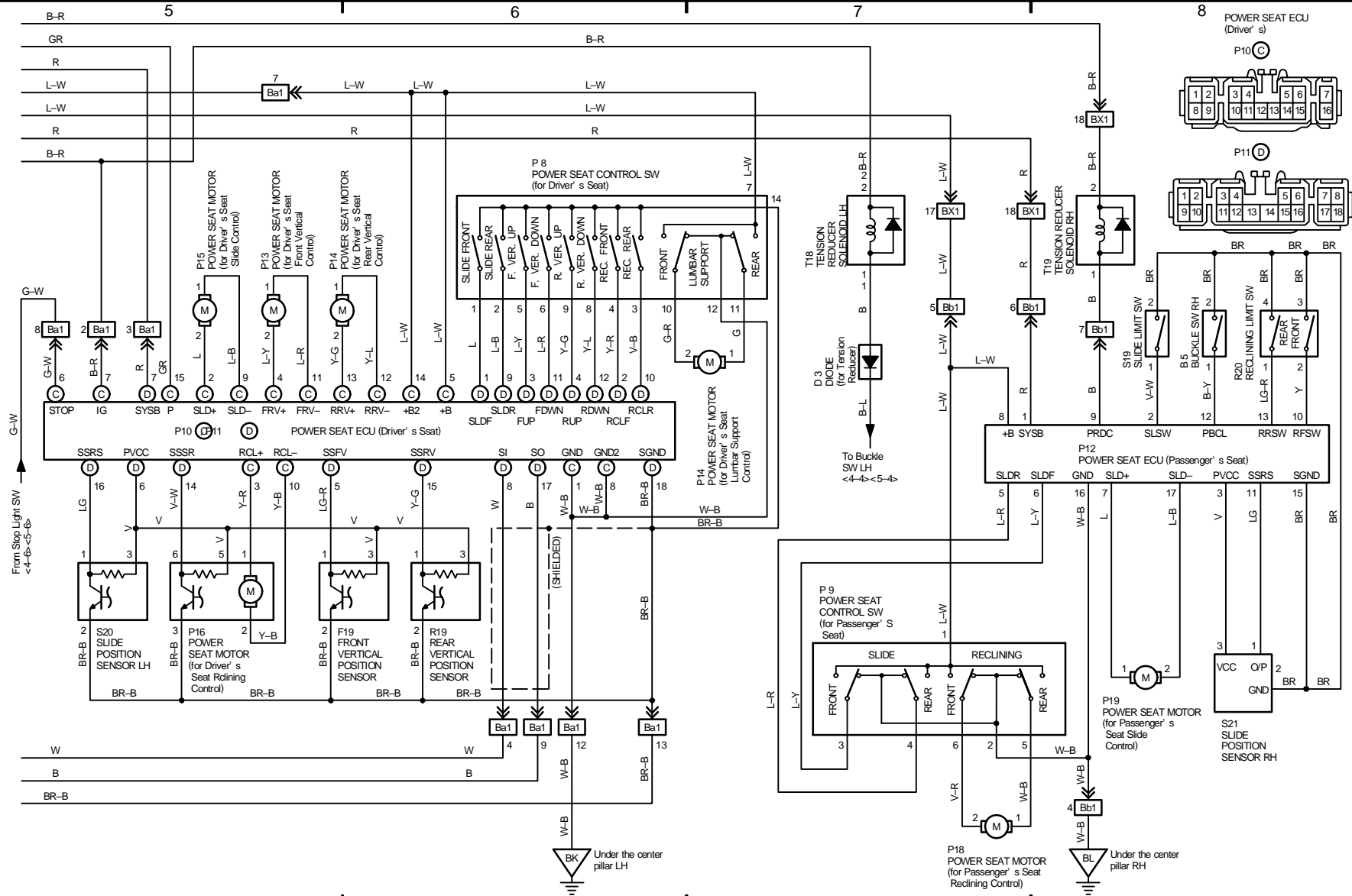
(Cont. next page)



# 11 LEXUS SC300 (Cont' d)

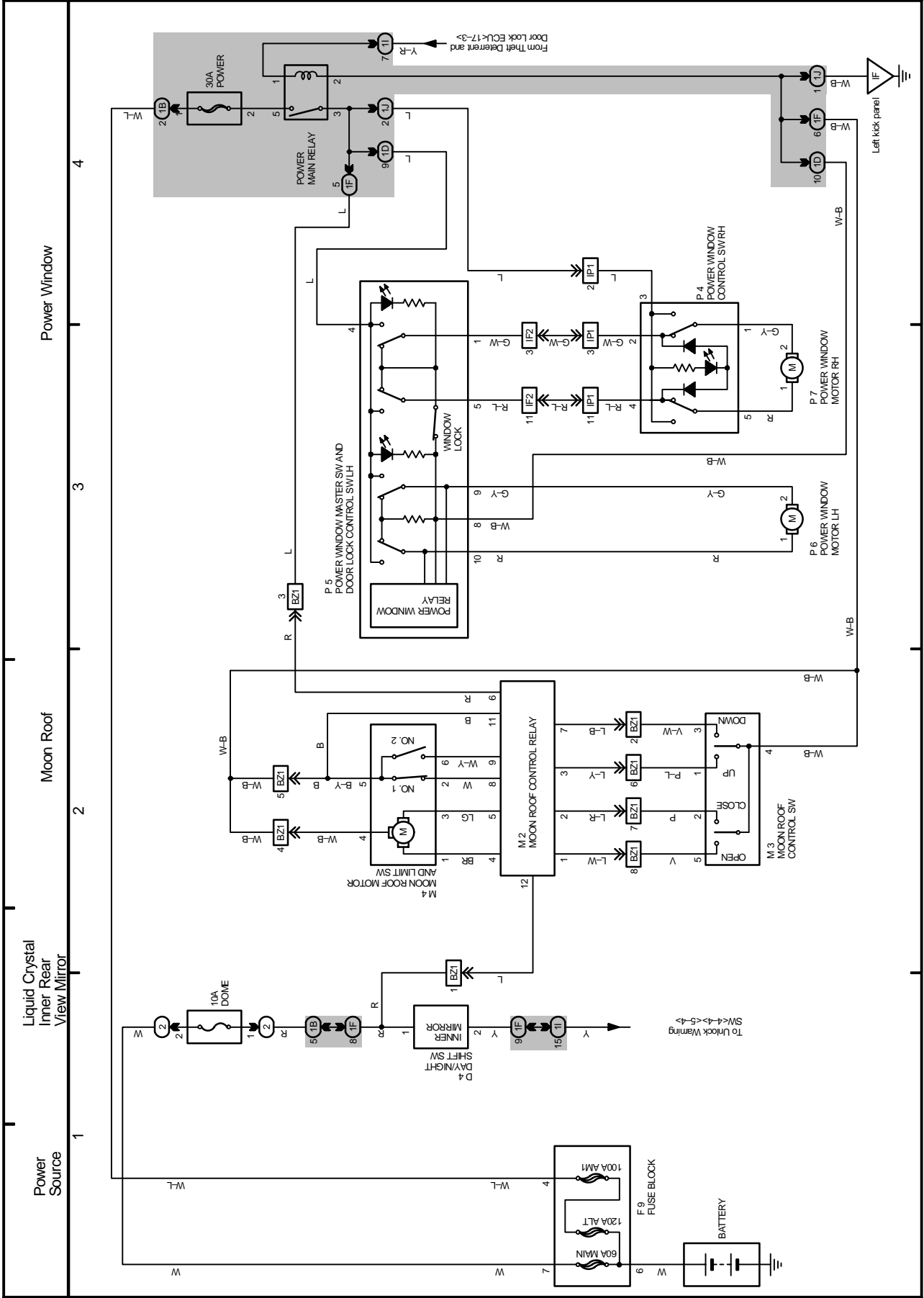
## Power Seat (Driver' s)

## Power Seat (Passenger' s) and Electric Tension Reducer



# OVERALL ELECTRICAL WIRING DIAGRAM

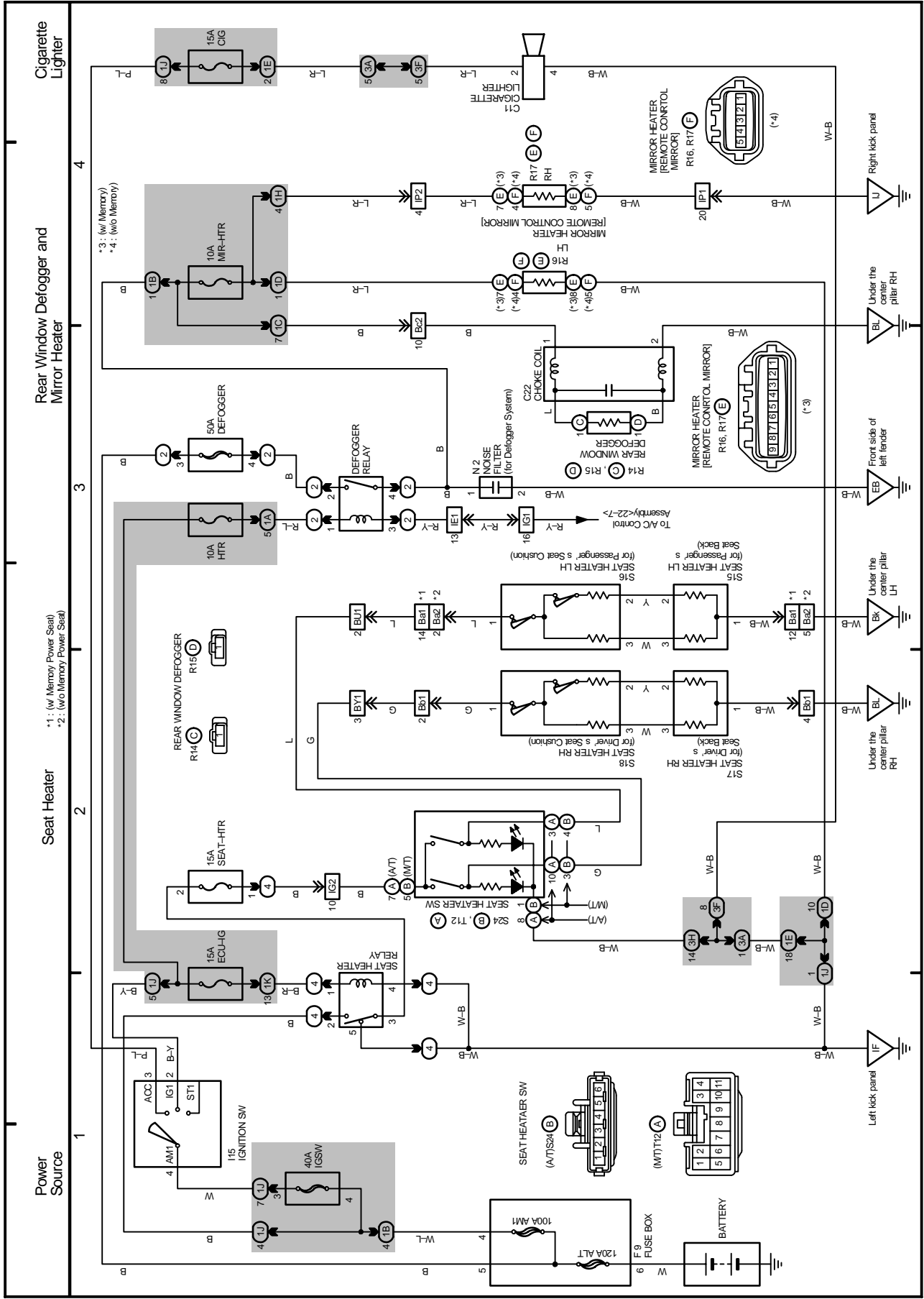
12 LEXUS SC300



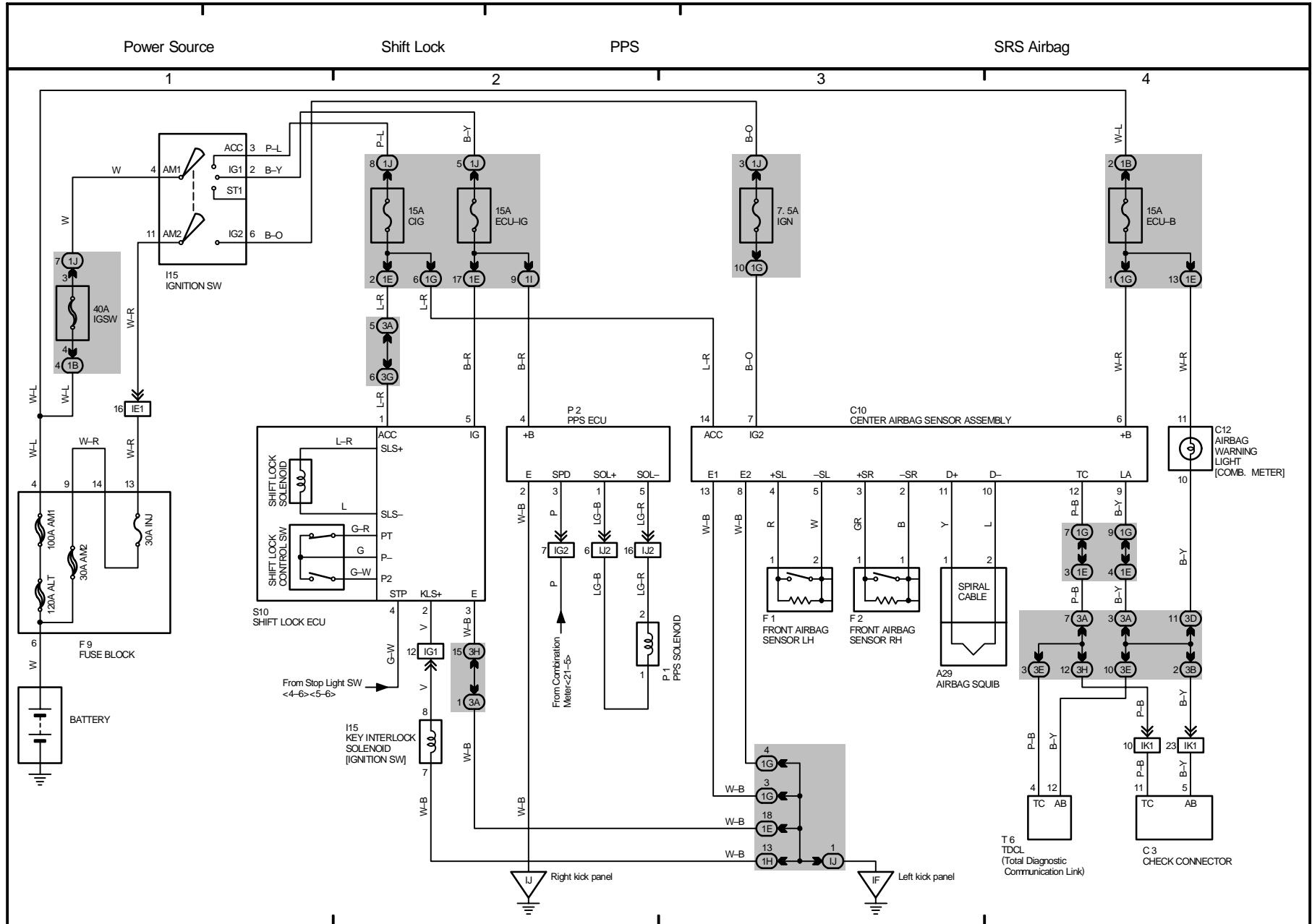


# OVERALL ELECTRICAL WIRING DIAGRAM

14 LEXUS SC300

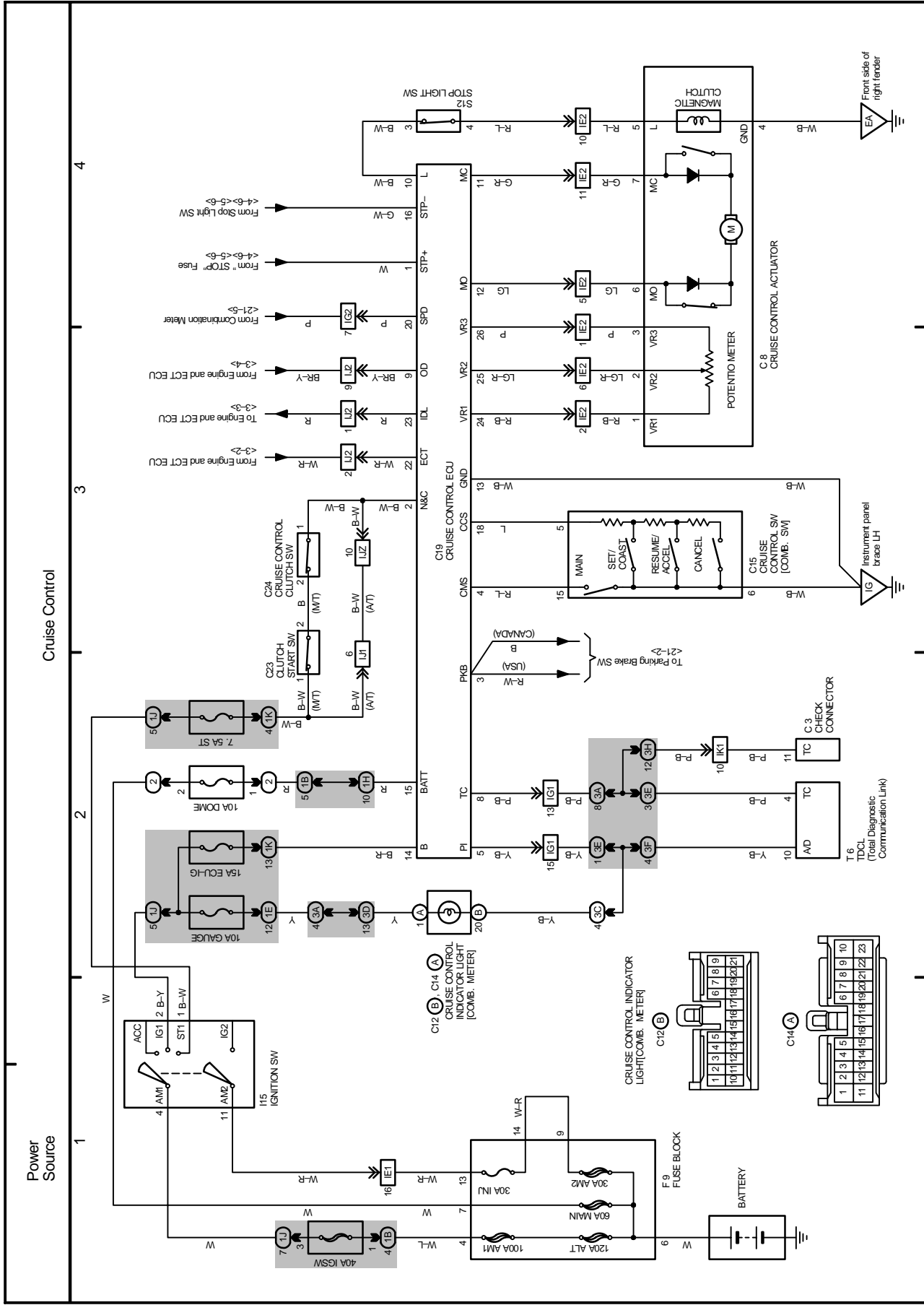


# 15 LEXUS SC300



# OVERALL ELECTRICAL WIRING DIAGRAM

16 LEXUS SC300



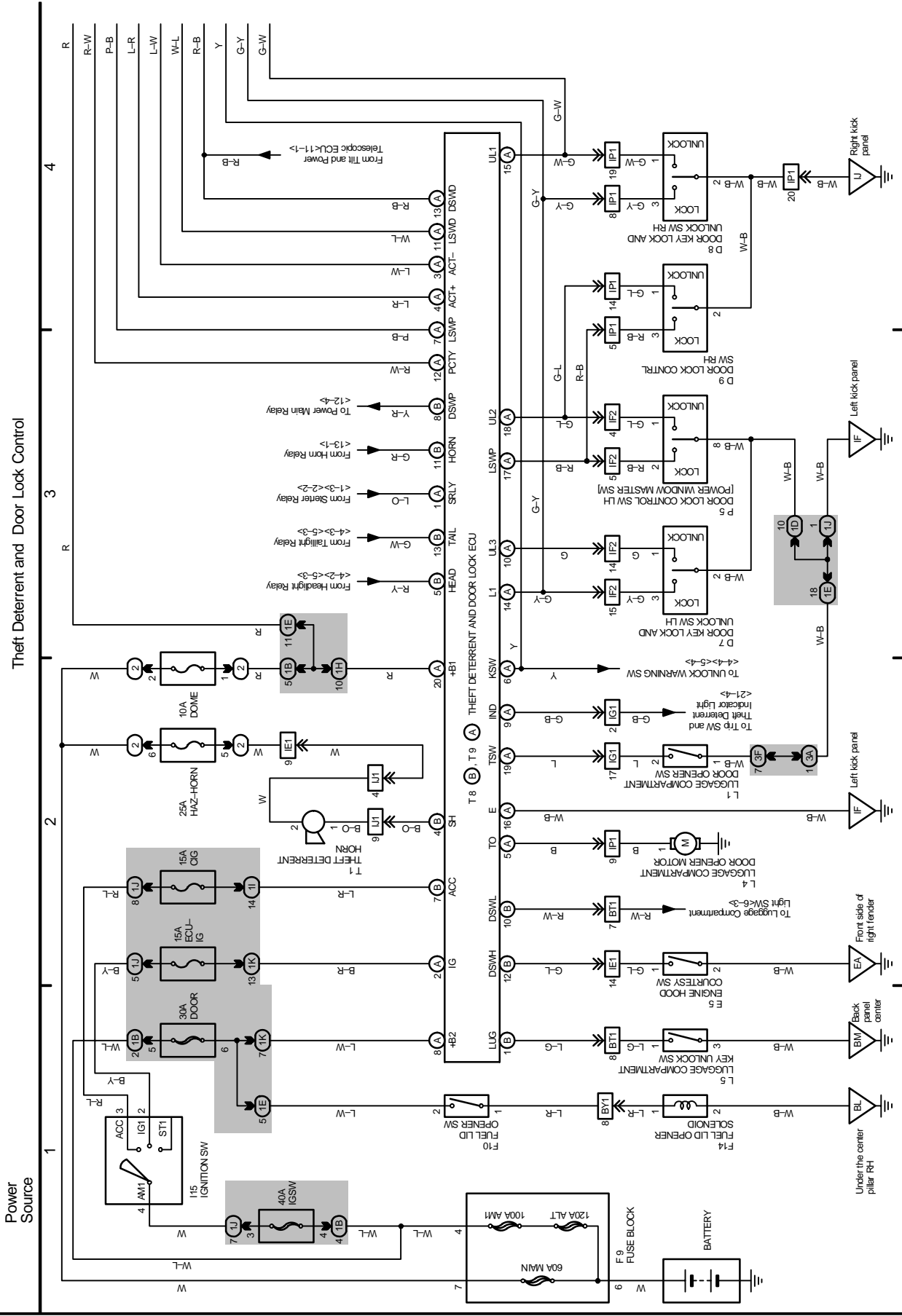




# OVERALL ELECTRICAL WIRING DIAGRAM

17 LEXUS SC300

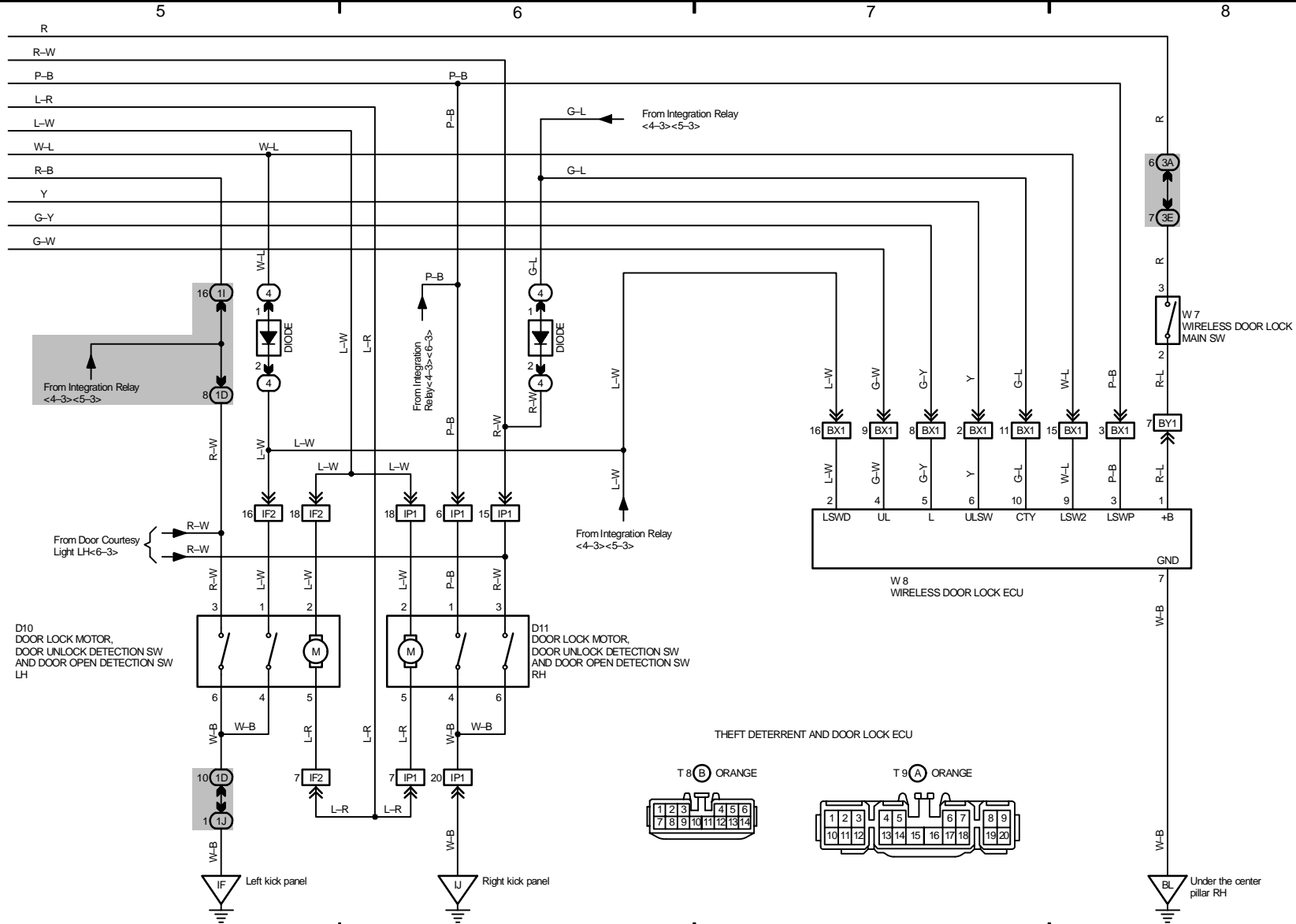
(Cont. next page)



17 LEXUS SC300(Cont' d)

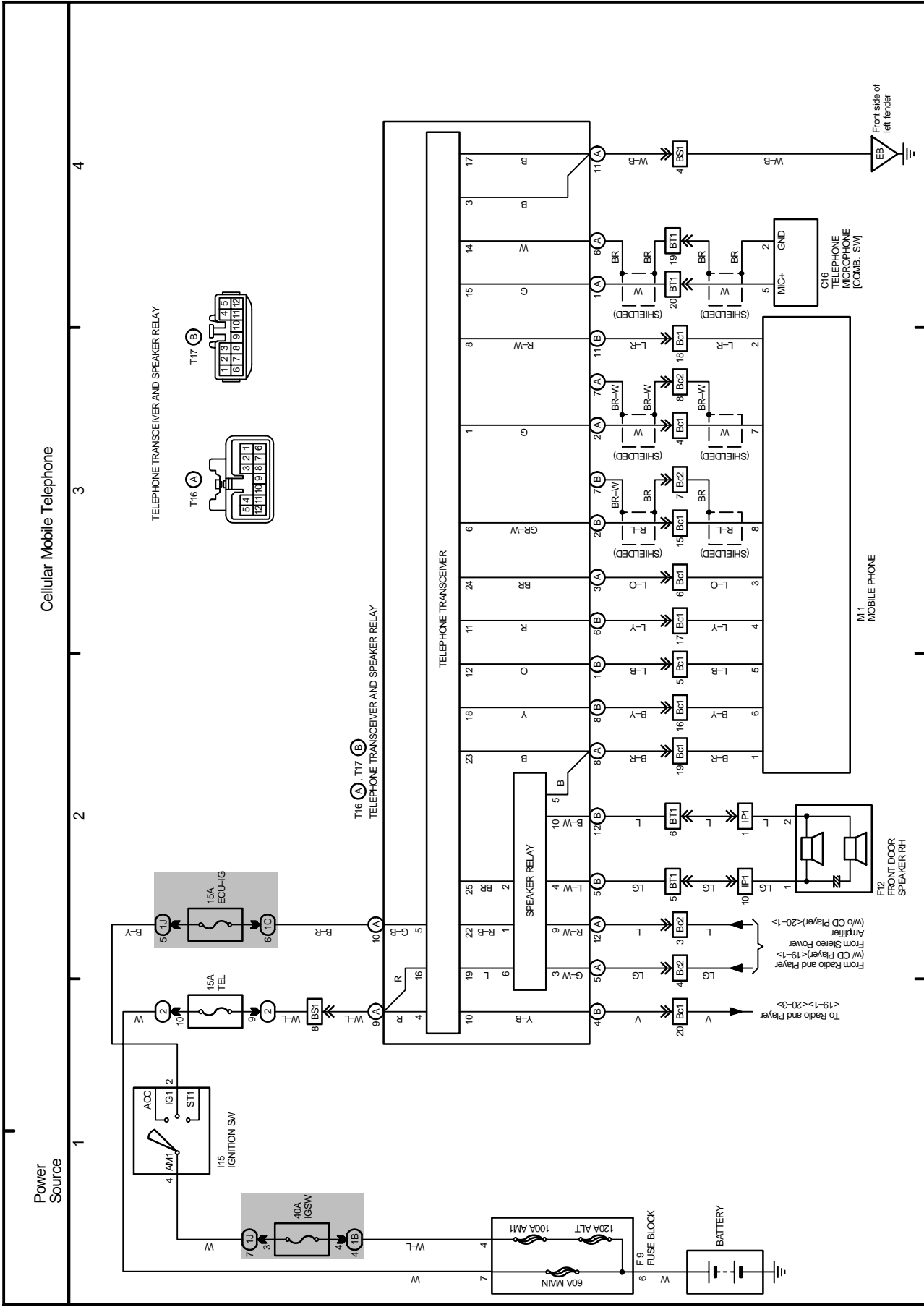
Theft Deterrent and Door Lock Control

Wireless Door Lock Remote Control

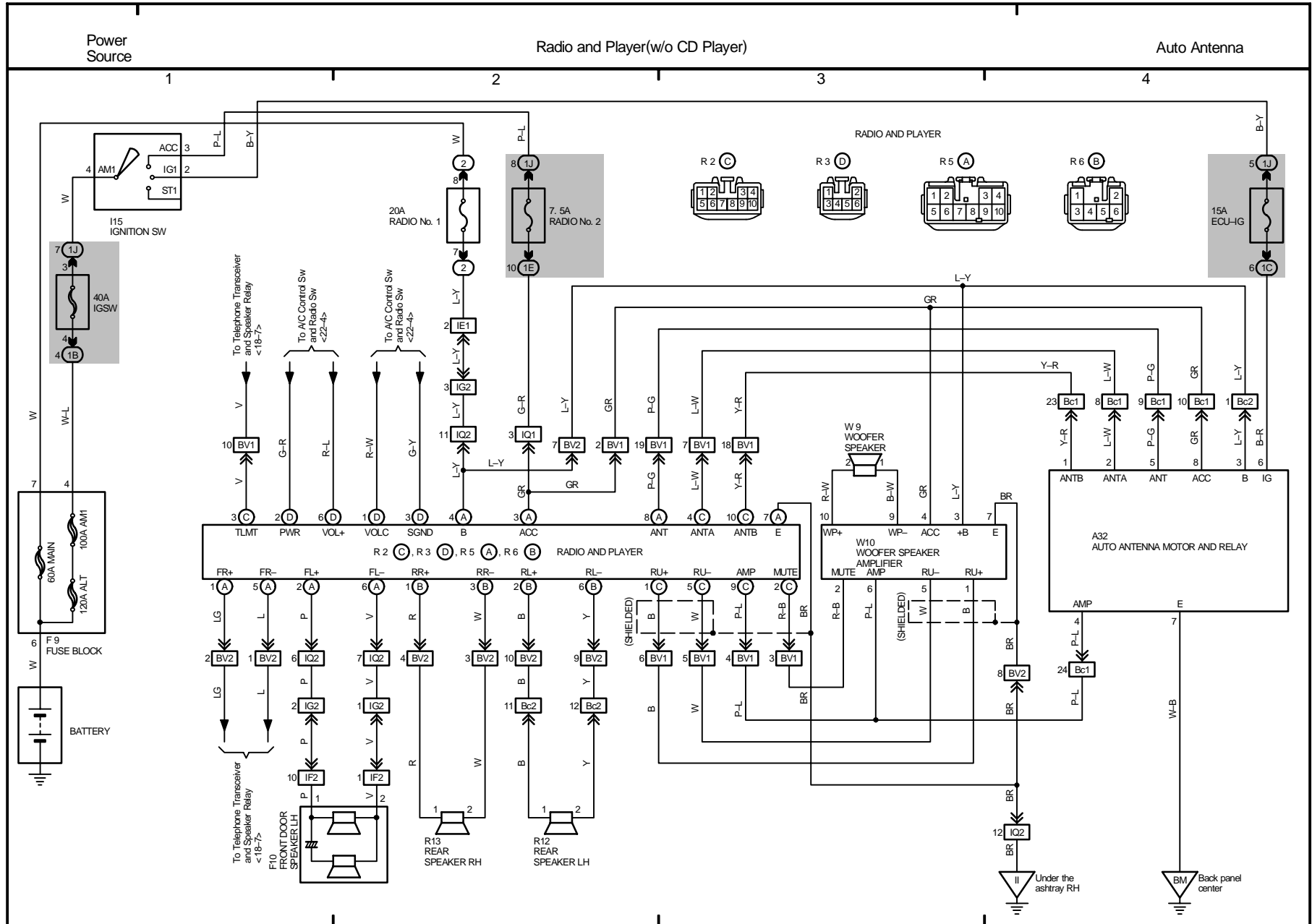


# OVERALL ELECTRICAL WIRING DIAGRAM

18 LEXUS SC300



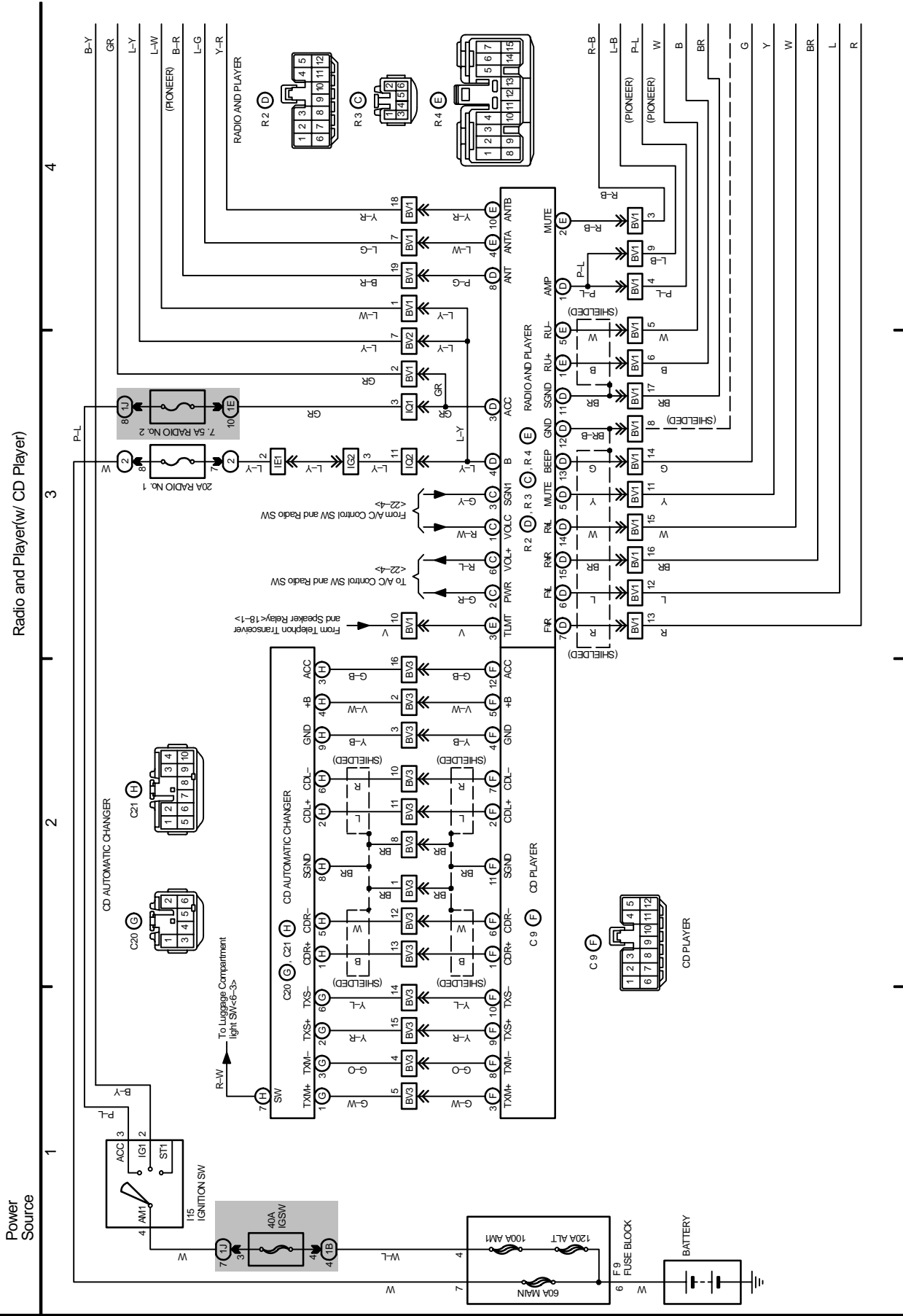
# 19 LEXUS SC300



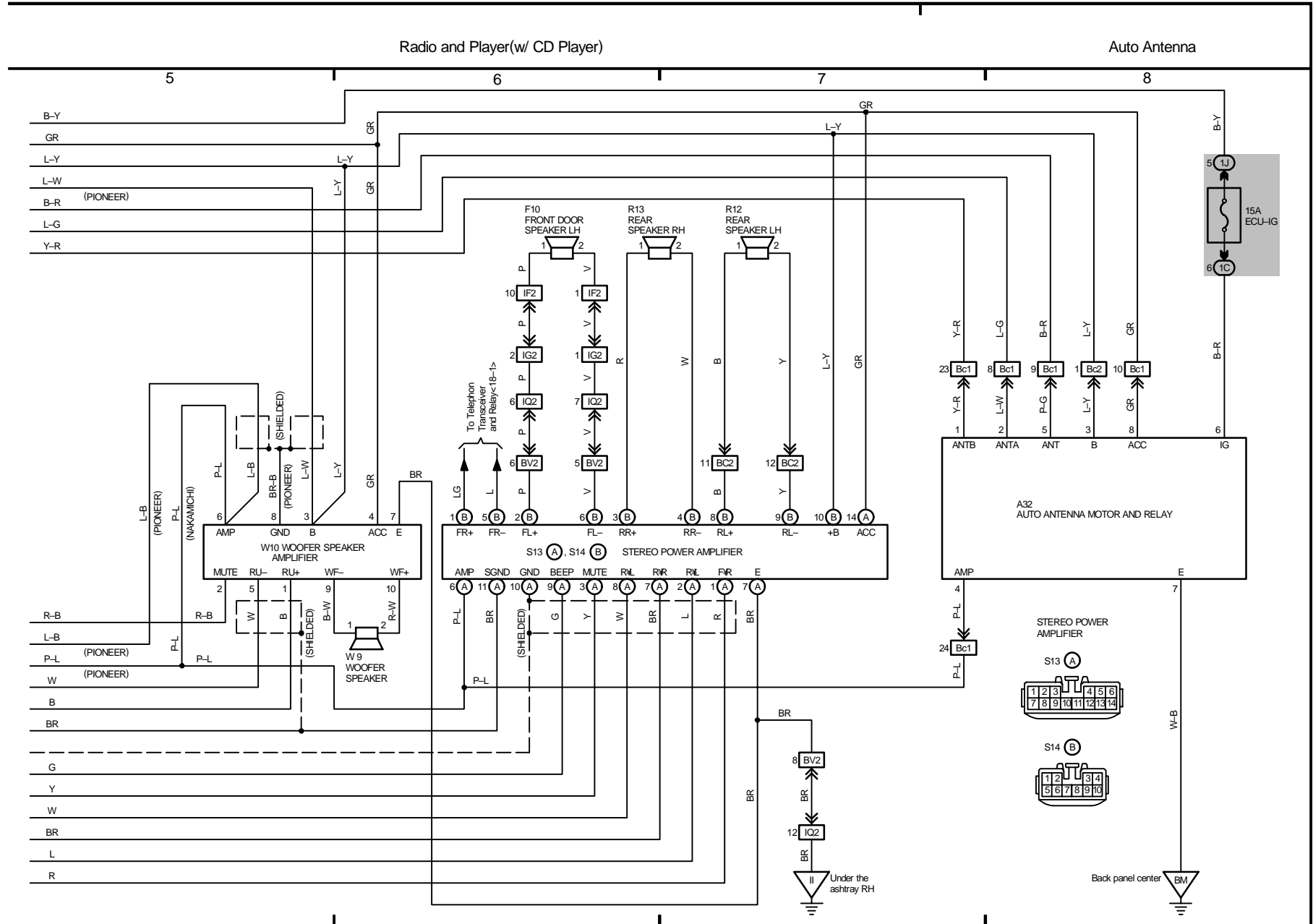
# OVERALL ELECTRICAL WIRING DIAGRAM

20 LEXUS SC300

(Cont. next page)



20 LEXUS SC300(Cont' d)



# OVERALL ELECTRICAL WIRING DIAGRAM

\*1: (w/ Traction Control)  
 \*2: (w/o Traction Control)

Combination Meter

Power Source

IGNITION SW

15A ECU-B

10A DOME

15A CIG

10A GAUGE

7.5A IGN

40A ICSW

30A INJ

60A MAIN

120A ALT

FUSE BLOCK

BATTERY

OIL PRESSURE SW

ENGINE OIL LEVEL

WARNING SW

COOLANT LEVEL

WARNING SW

BRAKE FLUID LEVEL SW

PARKING BRAKE SW

From Tilt and Power Telescope ECU-1-2-5

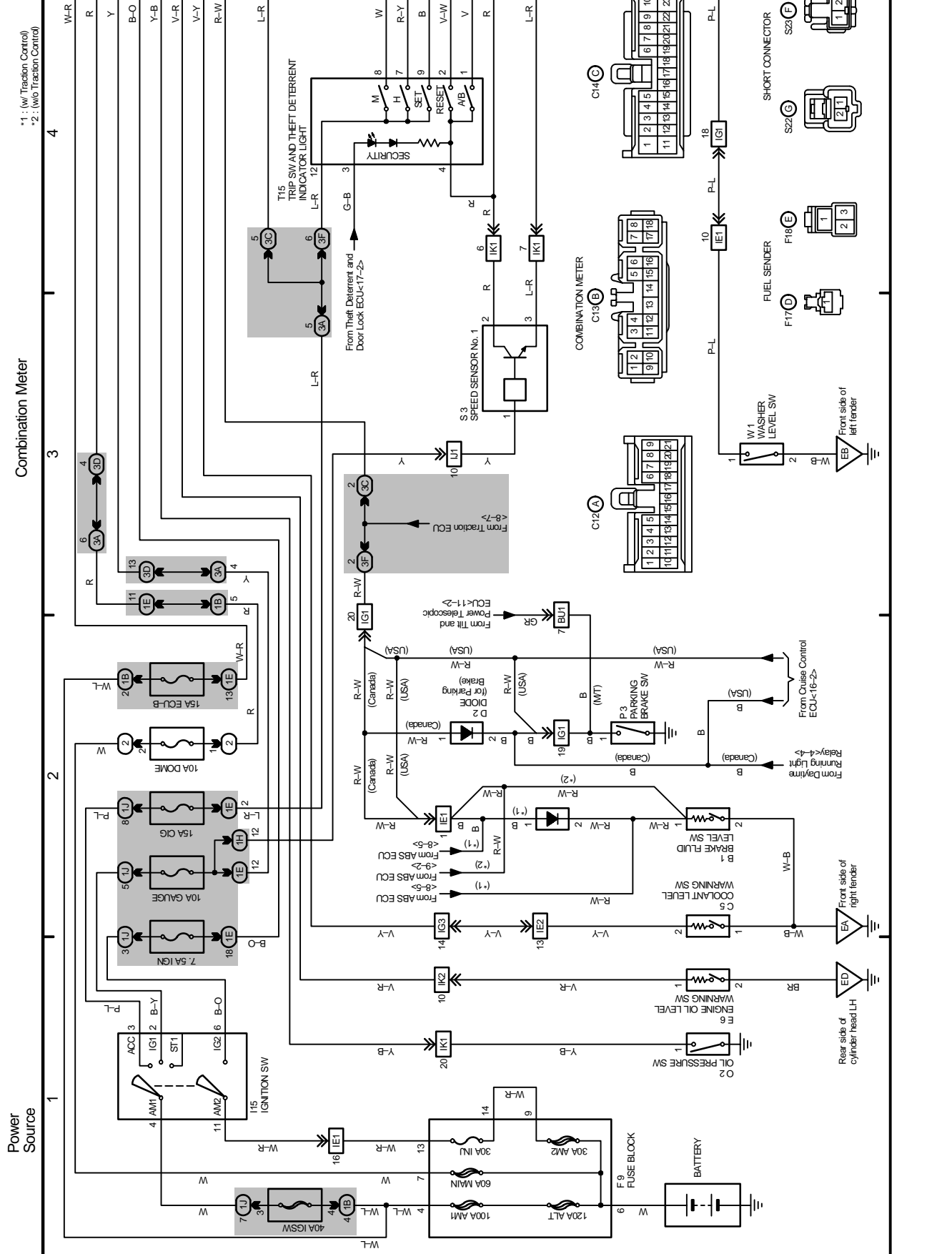
From Onulse Control ECU-16-2-5

From Daytime Running Light Relay-4-5

From ABS ECU

From ABS ECU

From ABS ECU



Washer Level SW

Oil Pressure SW

Engine Oil Level

Warning SW

Coolant Level

Warning SW

Brake Fluid Level SW

Parking Brake SW

From Tilt and Power Telescope ECU-1-2-5

From Onulse Control ECU-16-2-5

From Daytime Running Light Relay-4-5

From ABS ECU

From ABS ECU

From ABS ECU

From ABS ECU

From ABS ECU

From ABS ECU

From ABS ECU

From ABS ECU

From ABS ECU

From ABS ECU

From ABS ECU

From ABS ECU

From ABS ECU

From ABS ECU

From ABS ECU

From ABS ECU

From ABS ECU

From ABS ECU

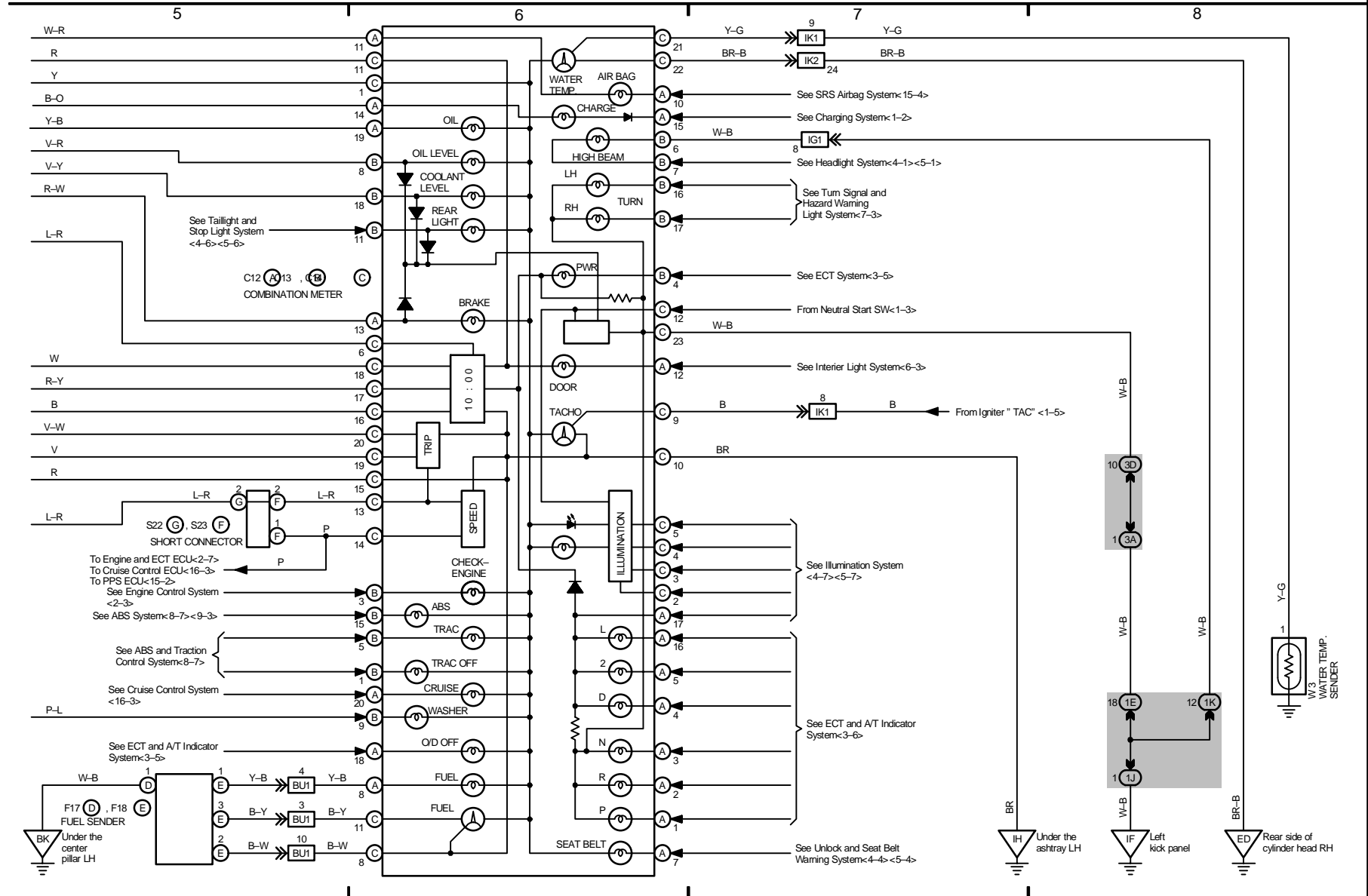
From ABS ECU

From ABS ECU

From ABS ECU

21 LEXUS SC300(Cont' d)

Combination Meter



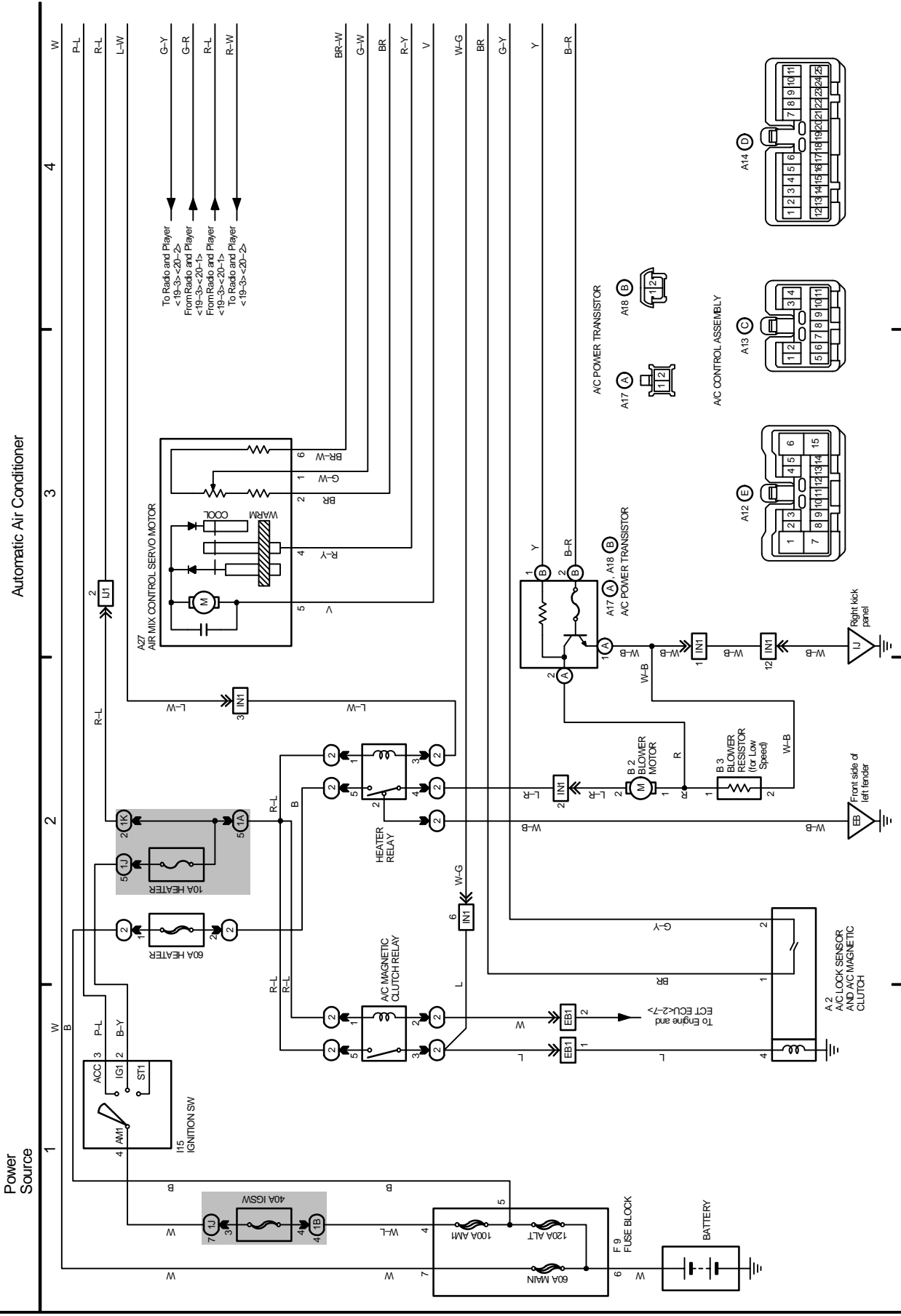


# OVERALL ELECTRICAL WIRING DIAGRAM

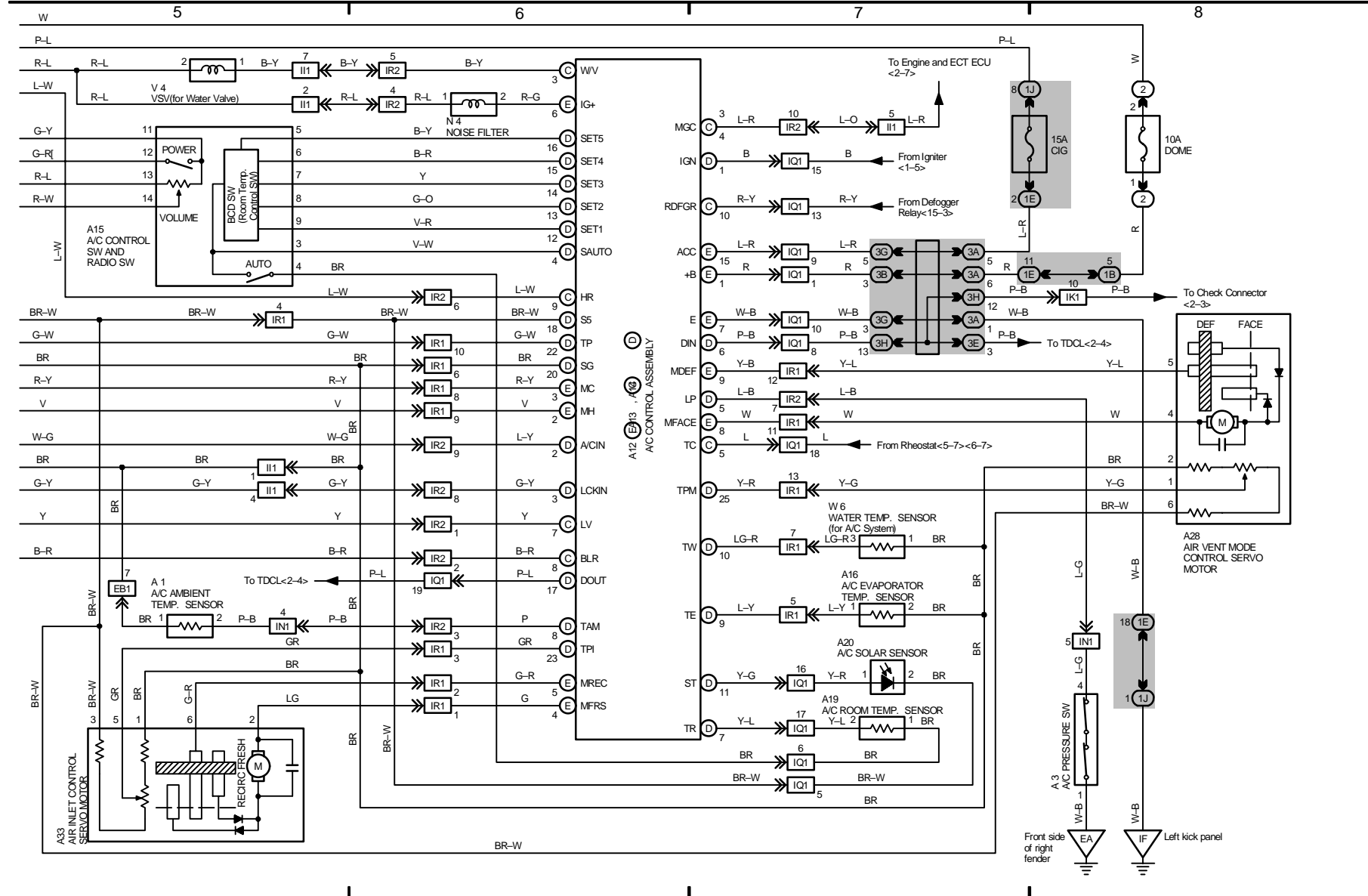
22 LEXUS SC300

(Cont. next page)

## Automatic Air Conditioner



Automatic Air Conditioner



# OVERALL ELECTRICAL WIRING DIAGRAM

23 LEXUS SC300(Carr' d)

