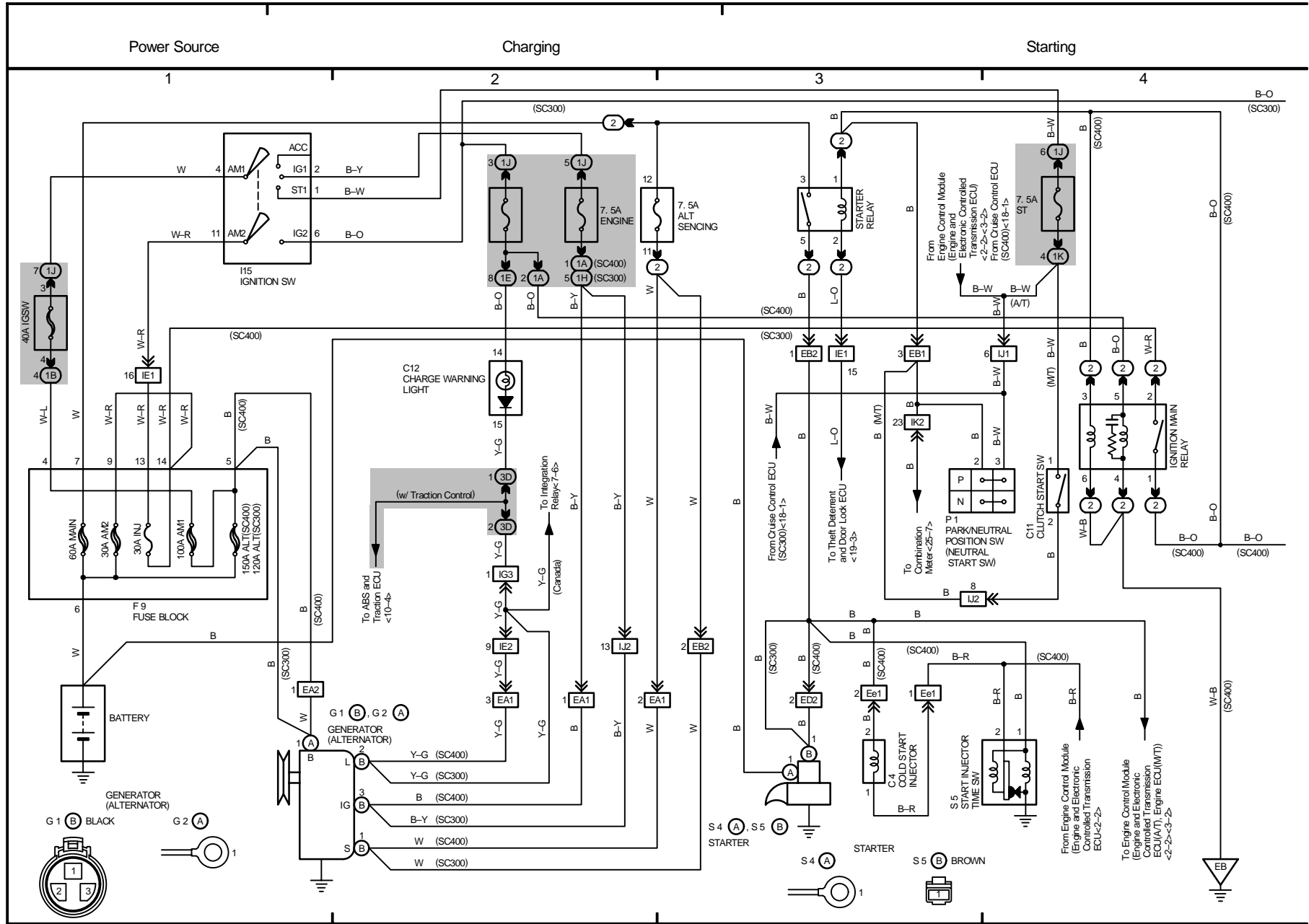


1 LEXUS SC400/SC300 ELECTRICAL WIRING DIAGRAM

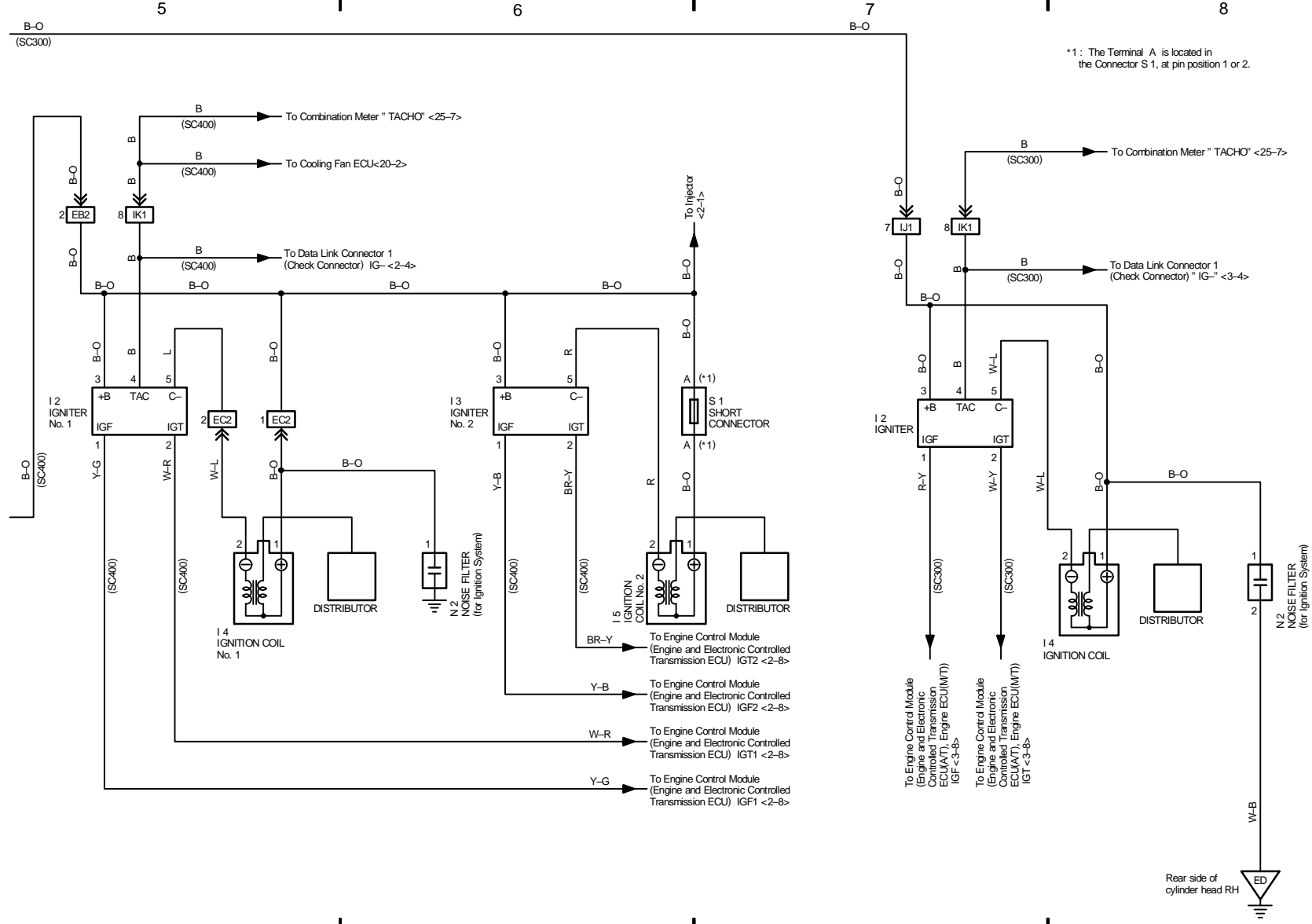
(Cont. next page)



1 LEXUS SC400/SC300(Cont' d)

Ignition(SC400)

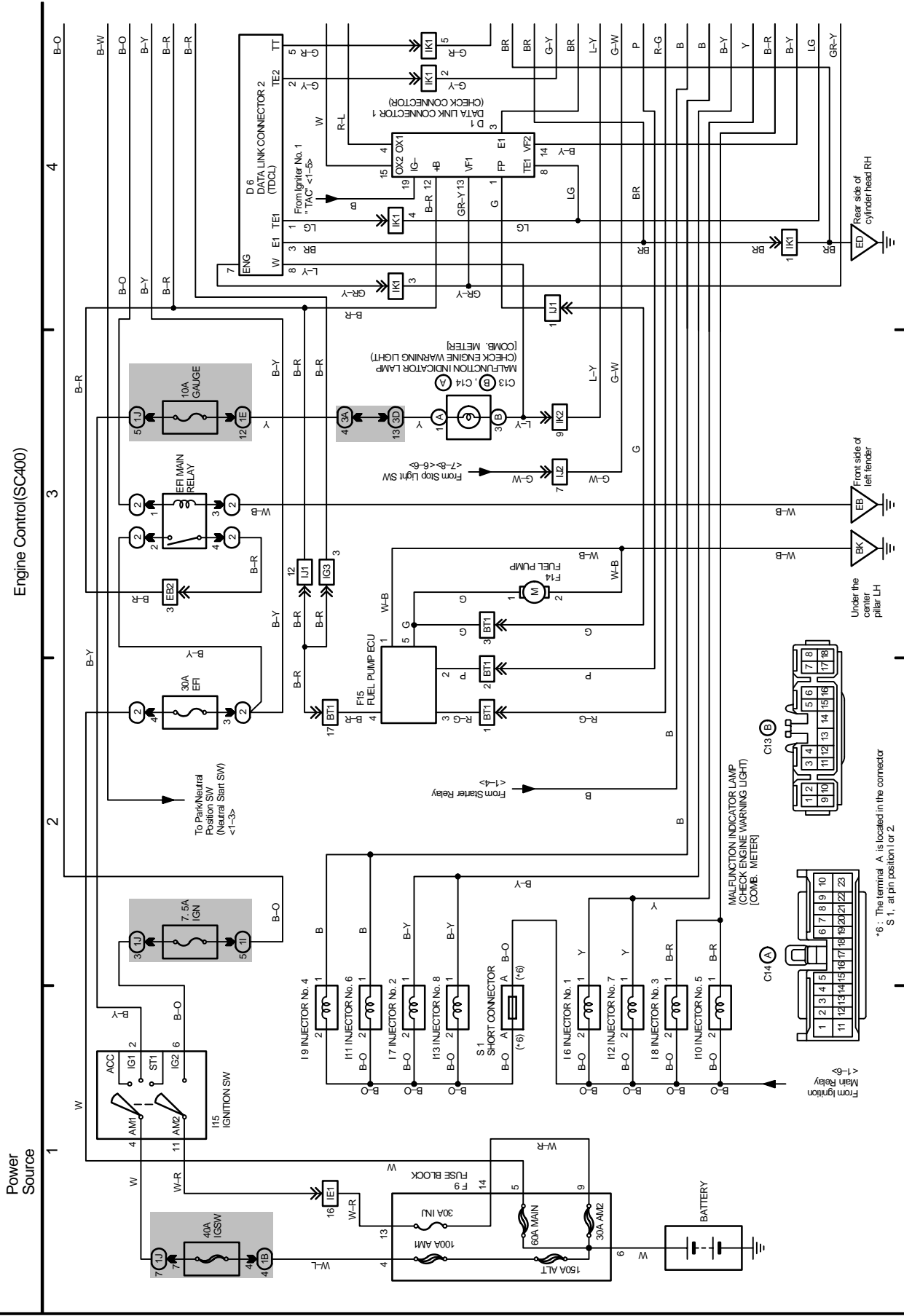
Ignition(SC300)



OVERALL ELECTRICAL WIRING DIAGRAM

2 LEXUS SC400/SC300

(Cont. next page)

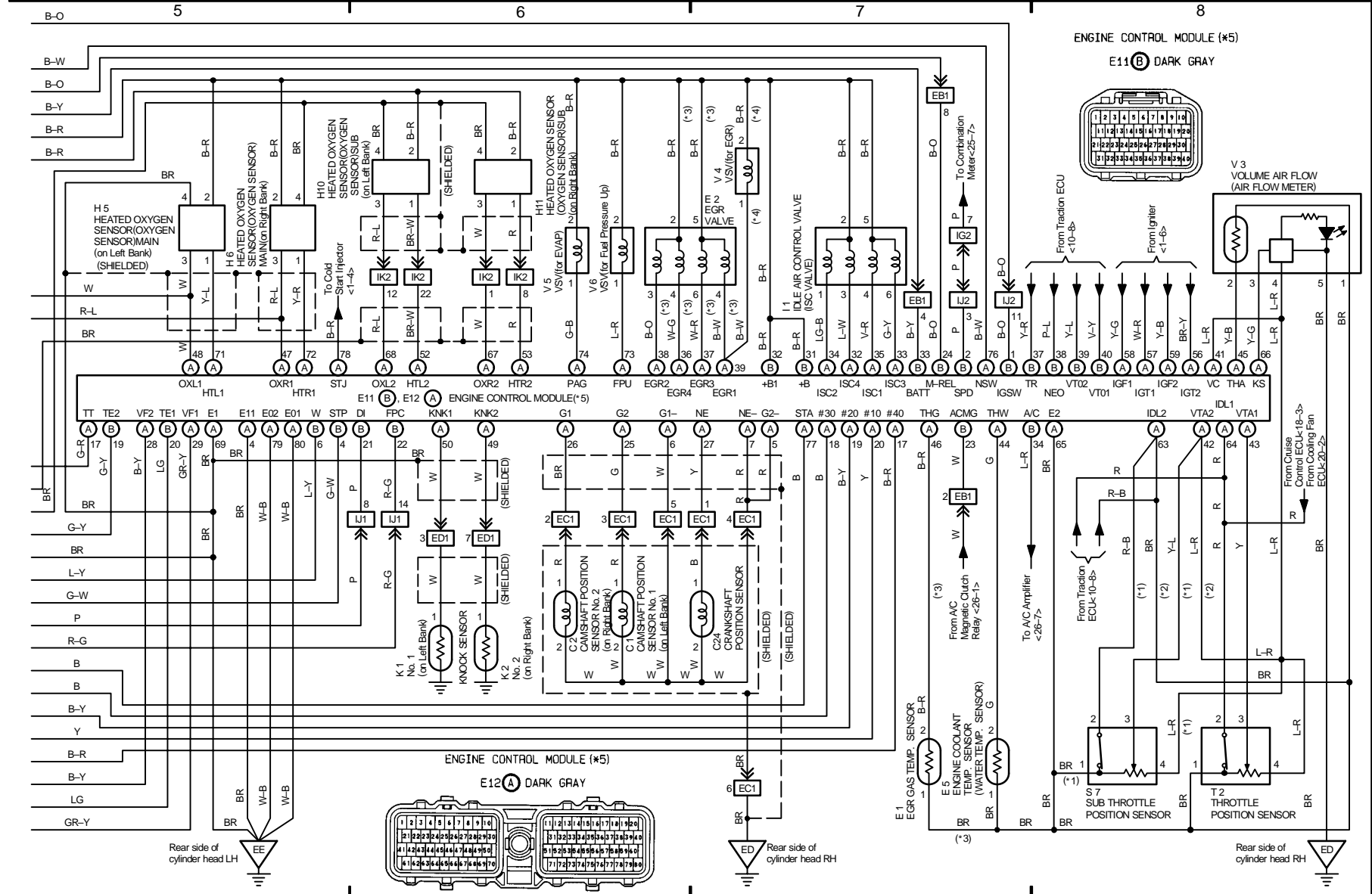


*6: The terminal A is located in the connector S 1, at pin position 1 or 2.

2 LEXUS SC400/SC300(Cont' d)

Engine Control(SC400)

- *1 : w/ Traction Control
- *2 : w/o Traction Control
- *3 : USA Spec.
- *4 : Ex. USA Spec.
- *5 : Engine and Electronic Controlled Transmission ECU

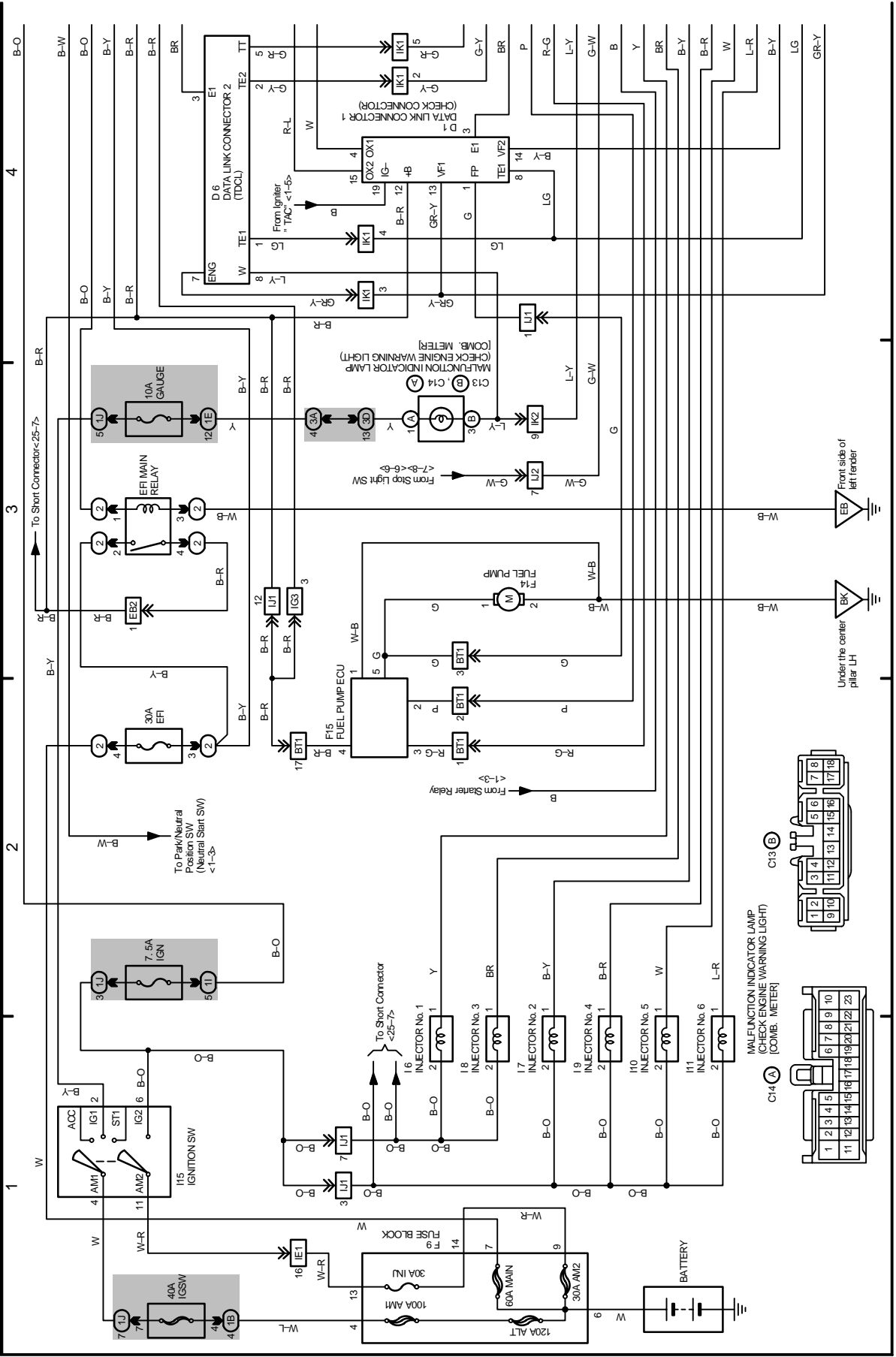


OVERALL ELECTRICAL WIRING DIAGRAM

(Cont. next page)

- *1: w/ Traction Control
- *2: w/o Traction Control
- *3: USA Spec.
- *4: Ex. USA Spec.

Engine Control(SC300)

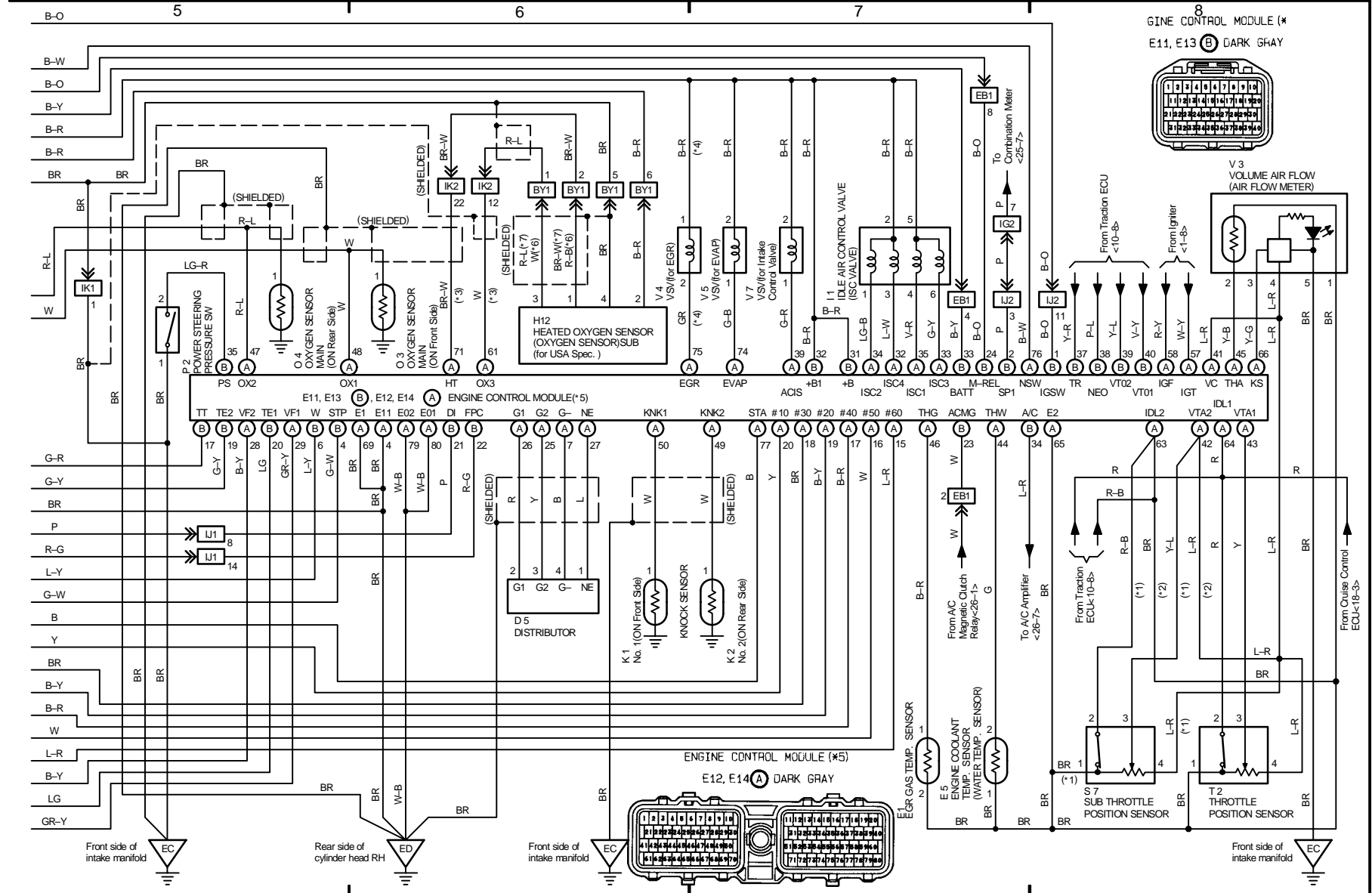


3 LEXUS SC400/SC300

3 LEXUS SC400/SC300(Cont' d)

Engine Control(SC300)

- *1 : w/ Traction Control
- *2 : w/o Traction Control
- *3 : USA Spec.
- *4 : Ex. USA Spec.
- *5 : Engine and Electronic Controlled Transmission ECU(AT), Engine ECU(MT)
- *6 : w/o CD Player
- *7 : w/ CD Player

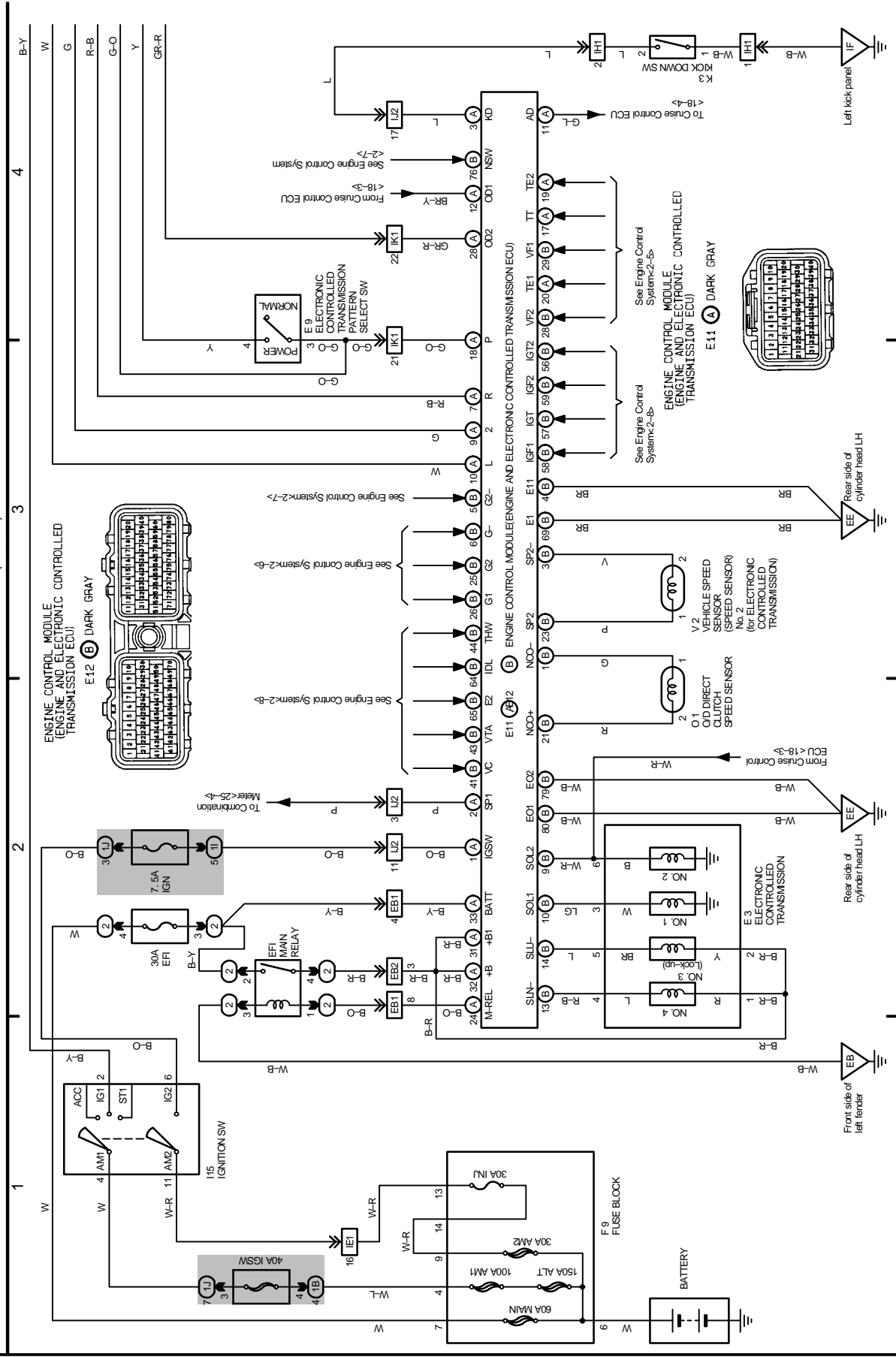


OVERALL ELECTRICAL WIRING DIAGRAM

4 LEXUS SC400/SC300

(Cont. next page)

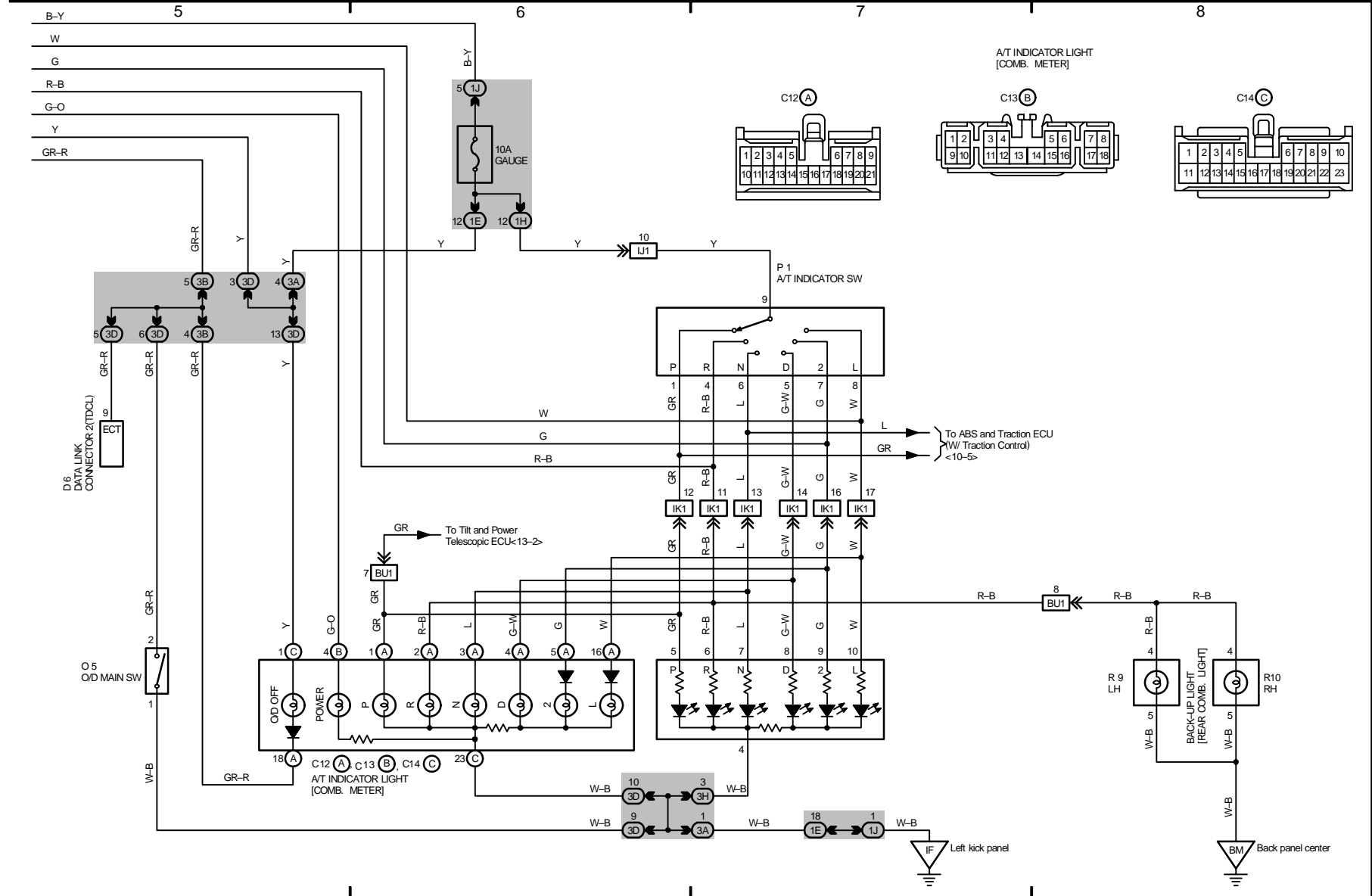
Electronic Controlled Transmission and A/T Indicator (SC400)



4 LEXUS SC400/SC300(Cont' d)

Electronic Controlled Transmission and A/T Indicator(SC400)

Back-Up Light(SC400)

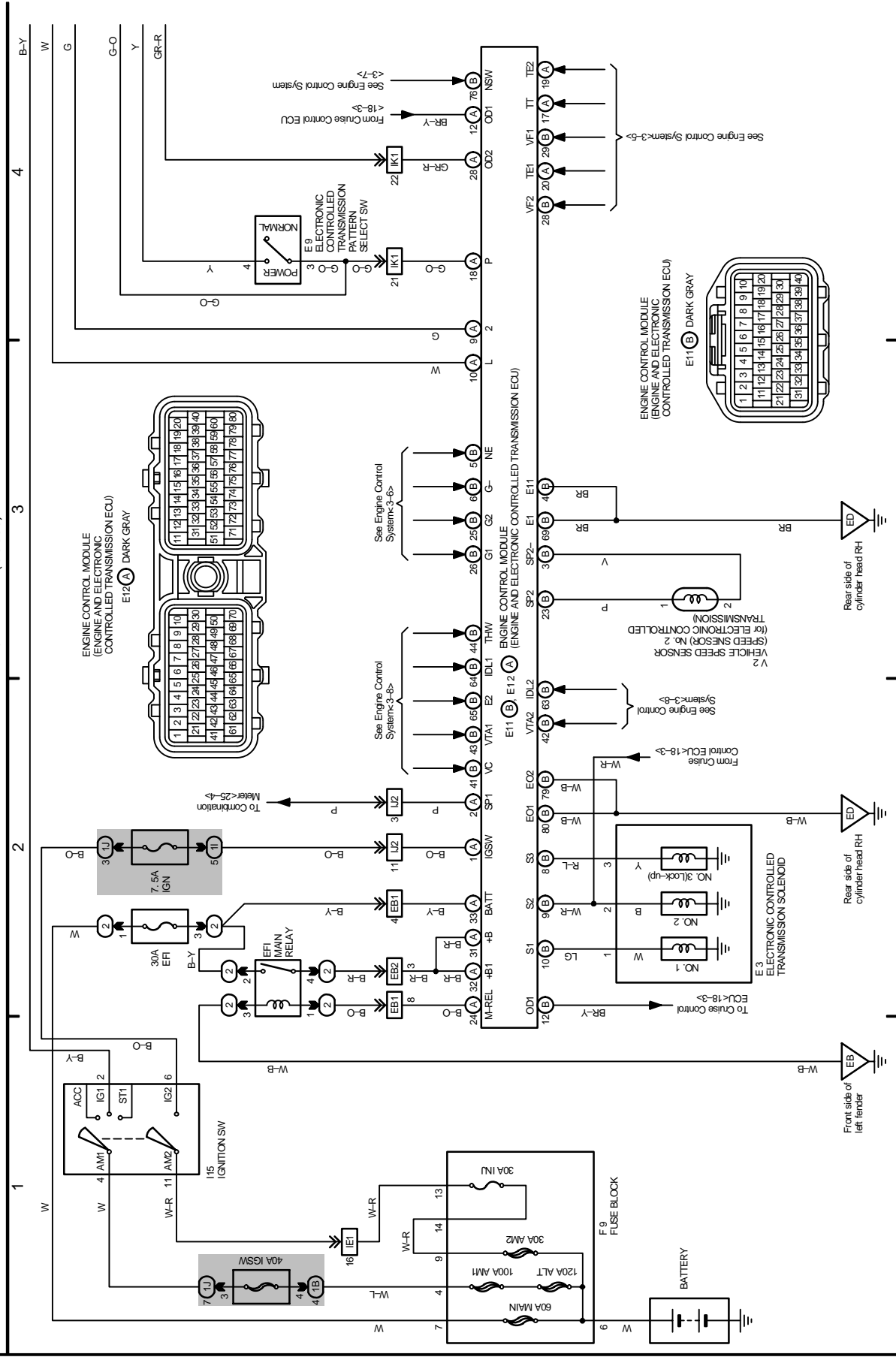


OVERALL ELECTRICAL WIRING DIAGRAM

5 LEXUS SC400/SC300

(Cont. next page)

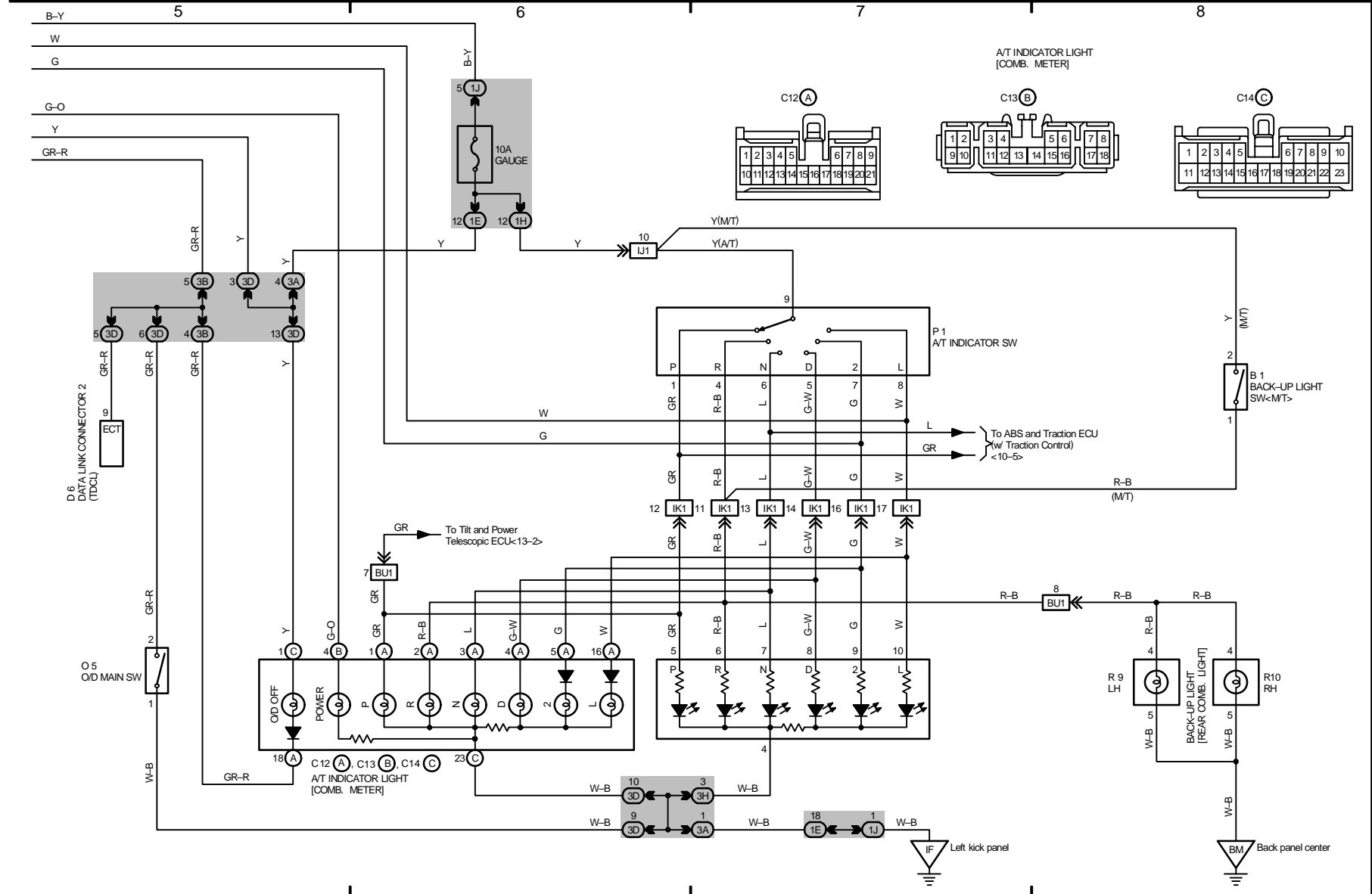
Electronic Controlled Transmission and A/T Indicator (SC300)



5 LEXUS SC400/SC300(Cont' d)

Electronic Controlled Transmission and A/T Indicator(SC300)

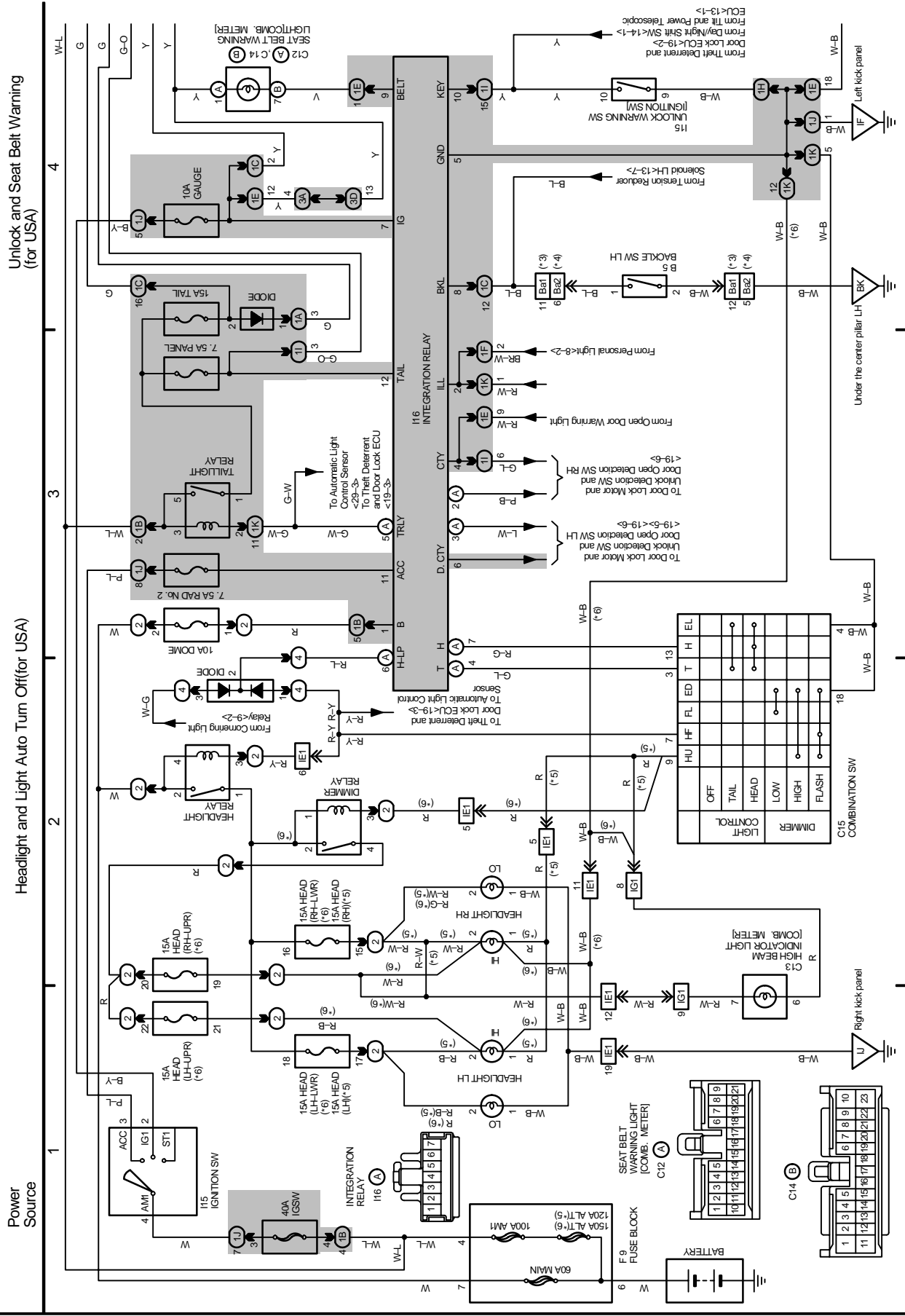
Back-Up Light (SC300)



OVERALL ELECTRICAL WIRING DIAGRAM

6 LEXUS SC400/SC300

(Cont. next page)

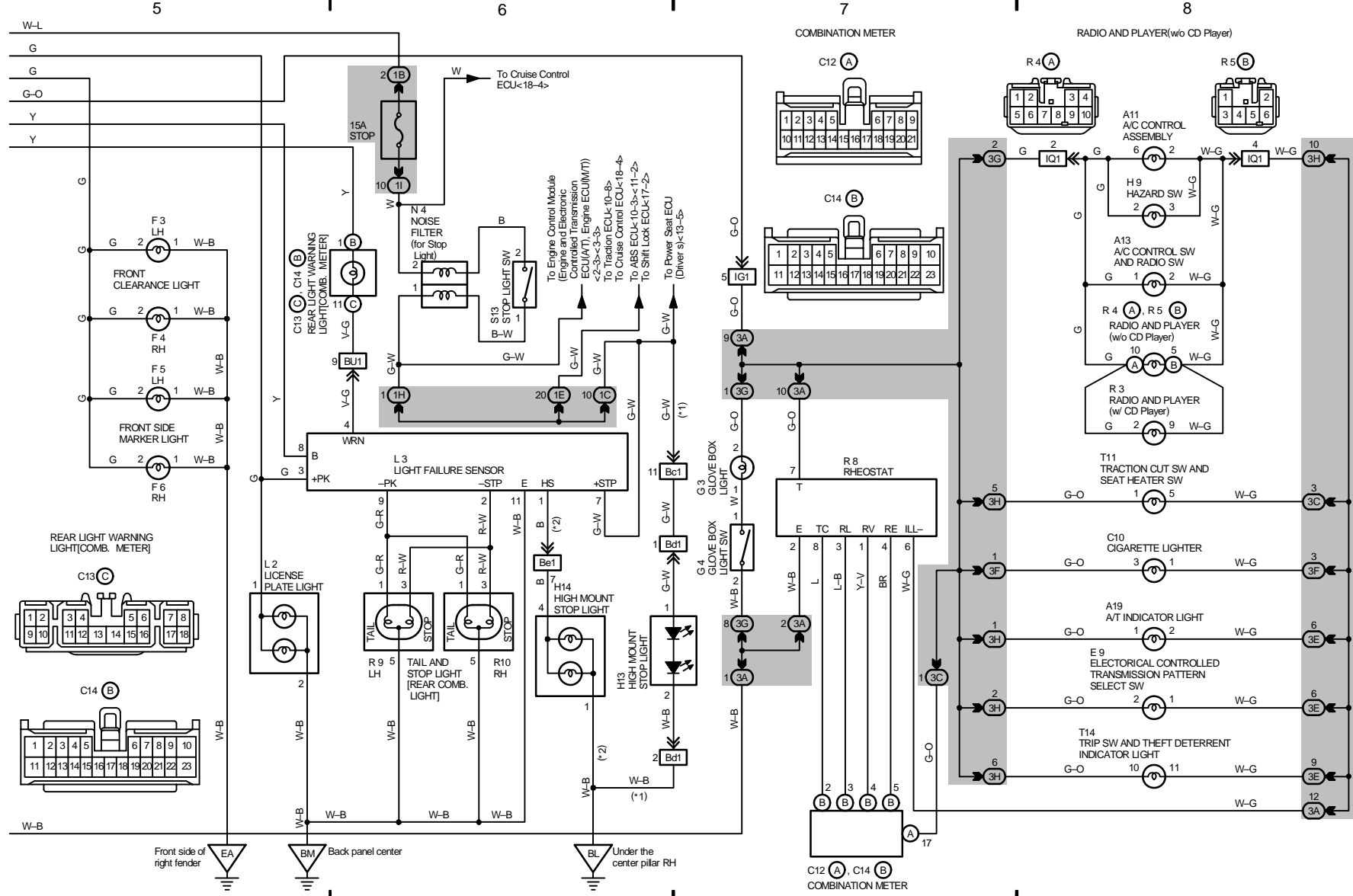


6 LEXUS SC400/SC300(Cont' d)

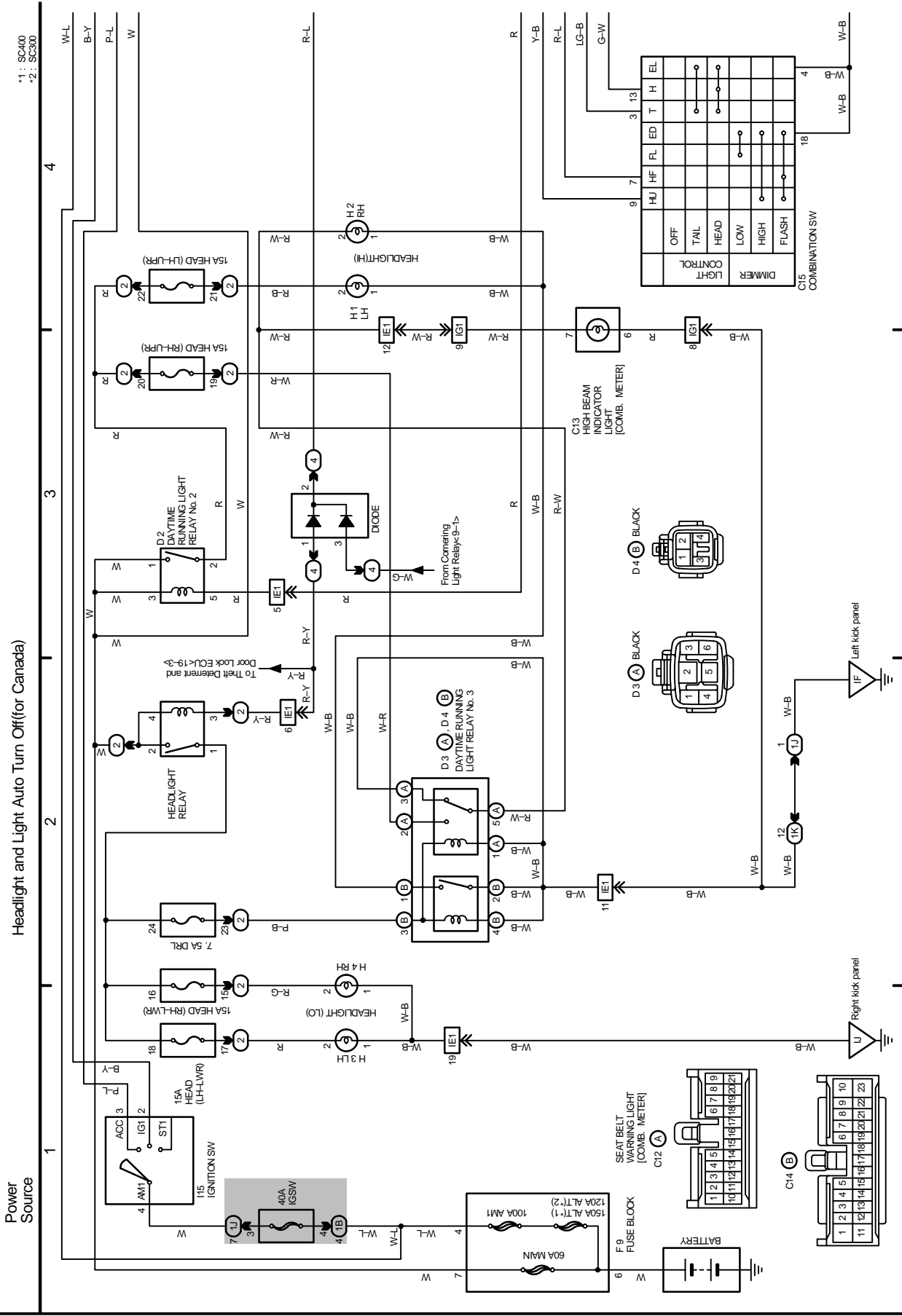
Taillight and Stop Light(for USA)

Illumination
(for USA)

- *1: w/ Rear Spoiler
- *2: w/o Rear Spoiler
- *3: w/ Memory Power Seat
- *4: w/o Memory Power Seat
- *5: SC300
- *6: SC400



OVERALL ELECTRICAL WIRING DIAGRAM

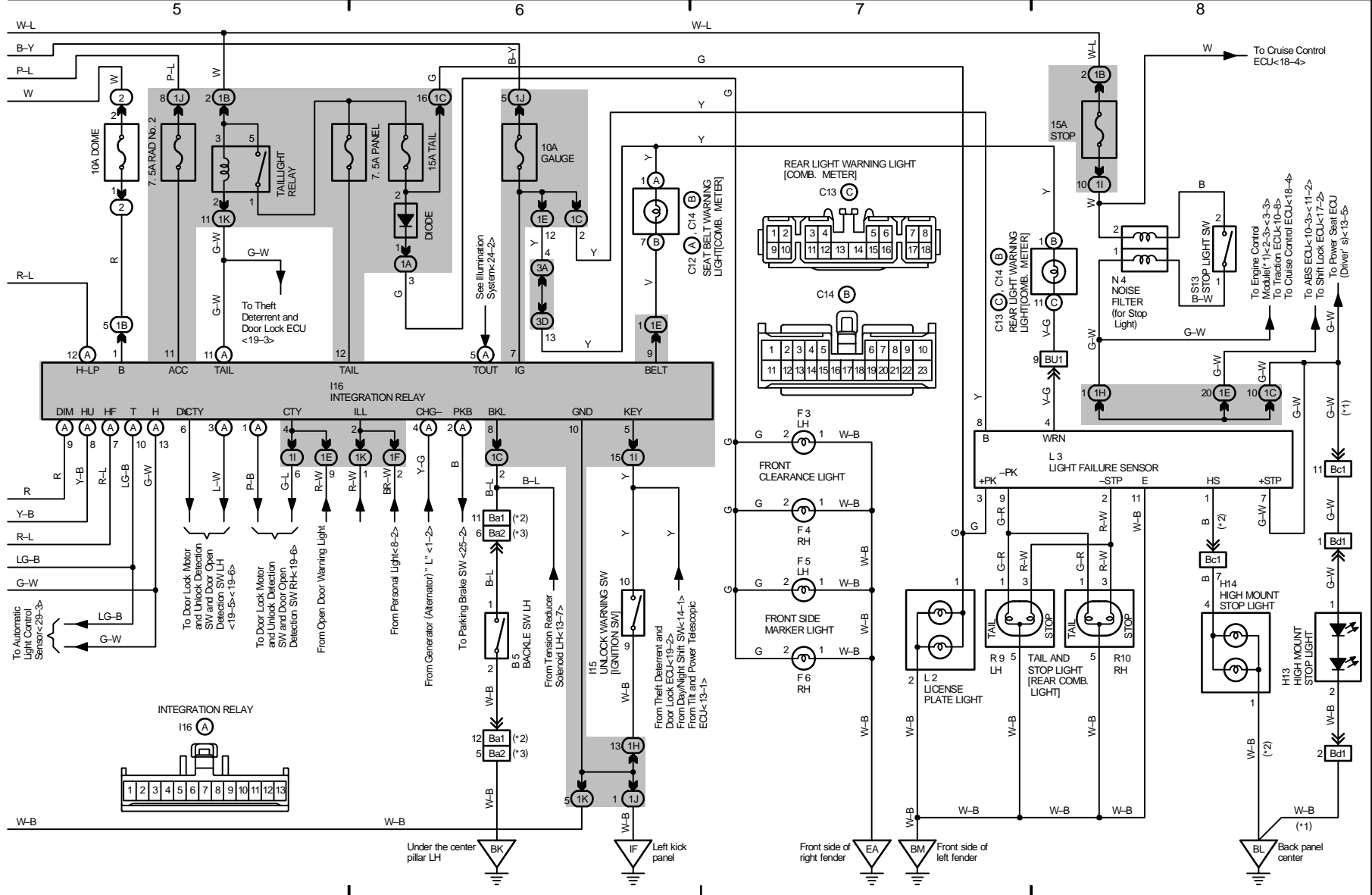


7 LEXUS SC400/SC300(Cont' d)

Unlock and Seat Belt Warning(for Canada)

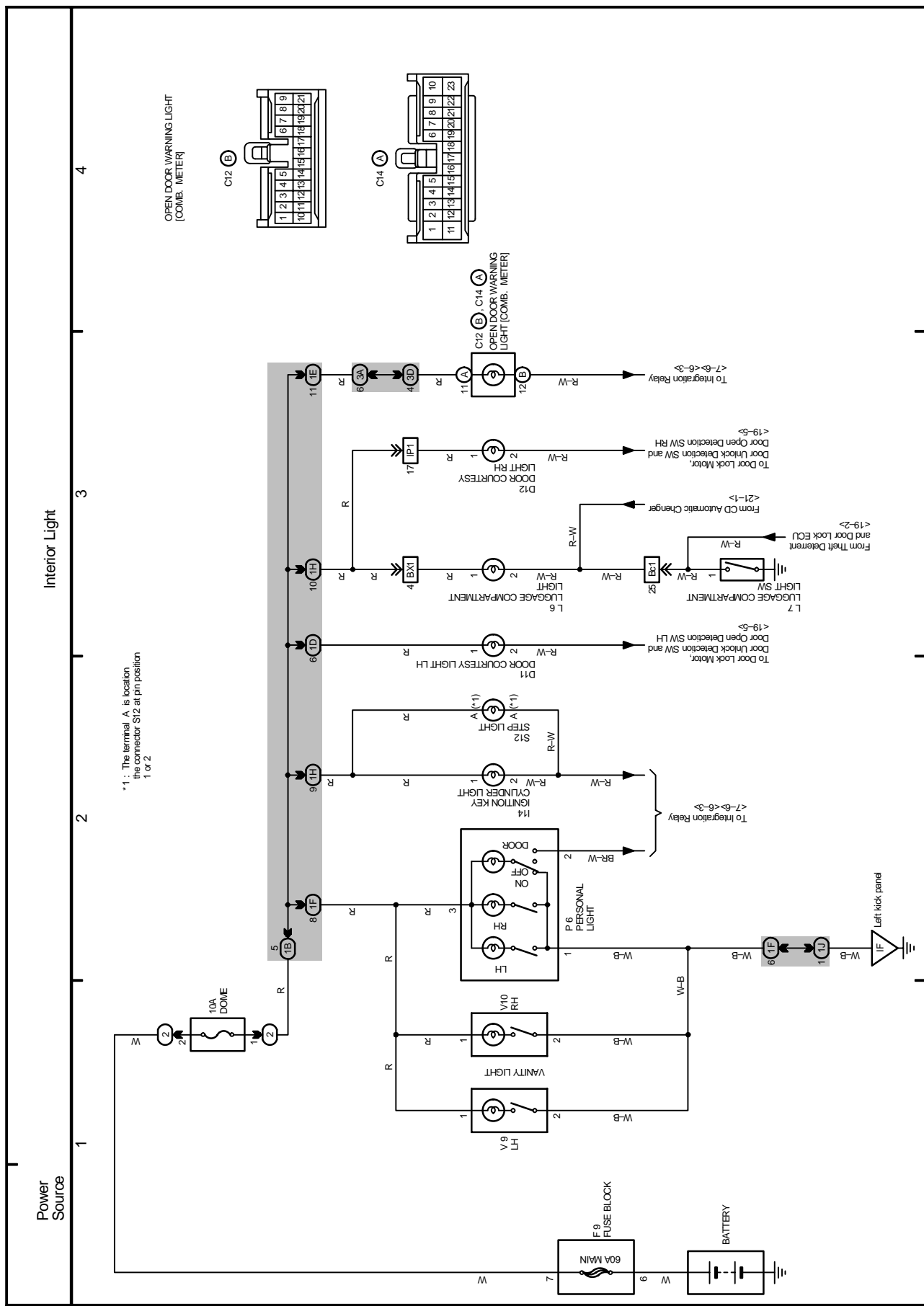
Taillight and Stop Light(for Canada)

- *1 : Engine and Electronic Controlled Transmission ECU(A/T), Engine ECU(M/T)
- *2 : w/ Memory Power Seat
- *3 : w/o Memory Power Seat

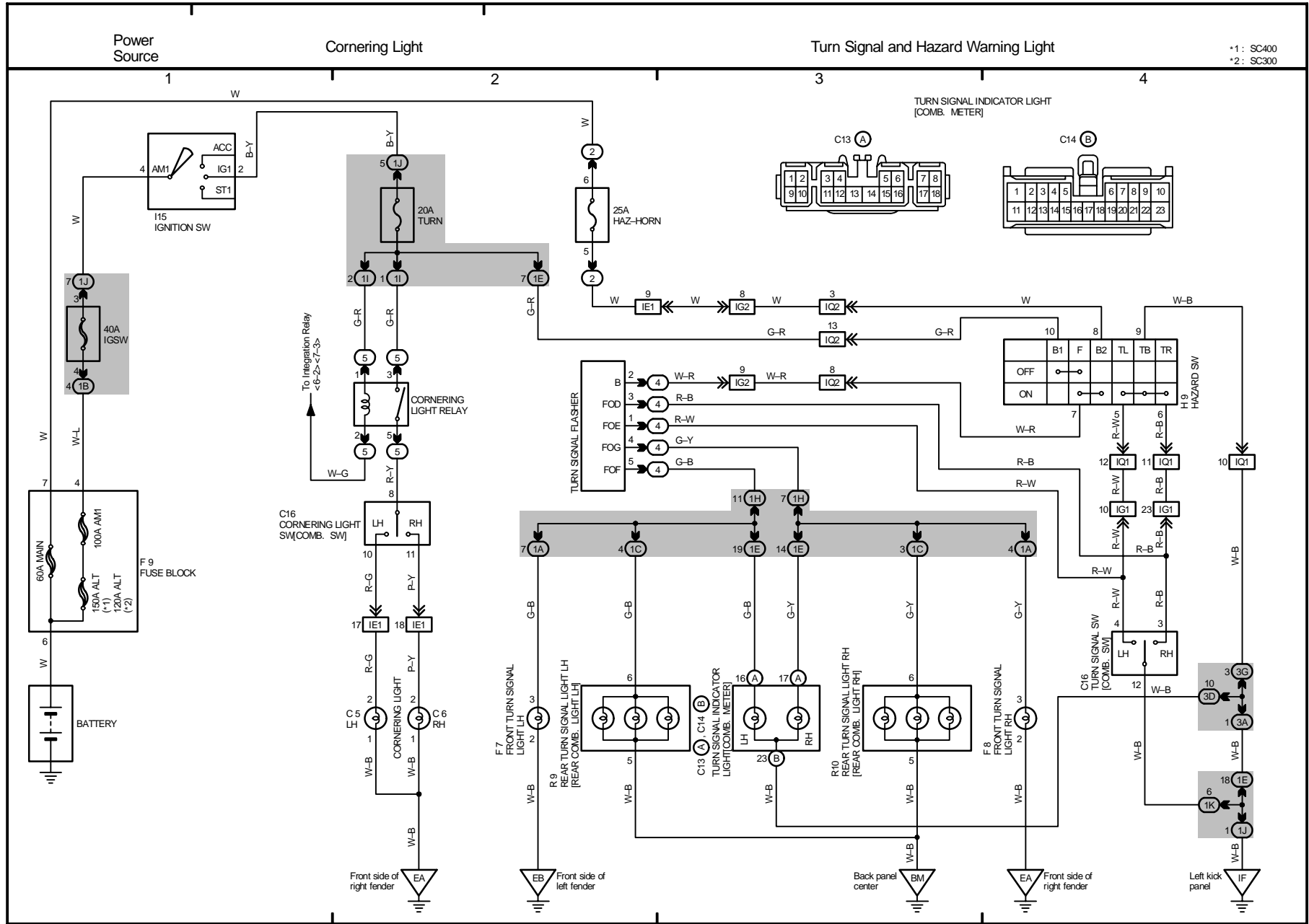


OVERALL ELECTRICAL WIRING DIAGRAM

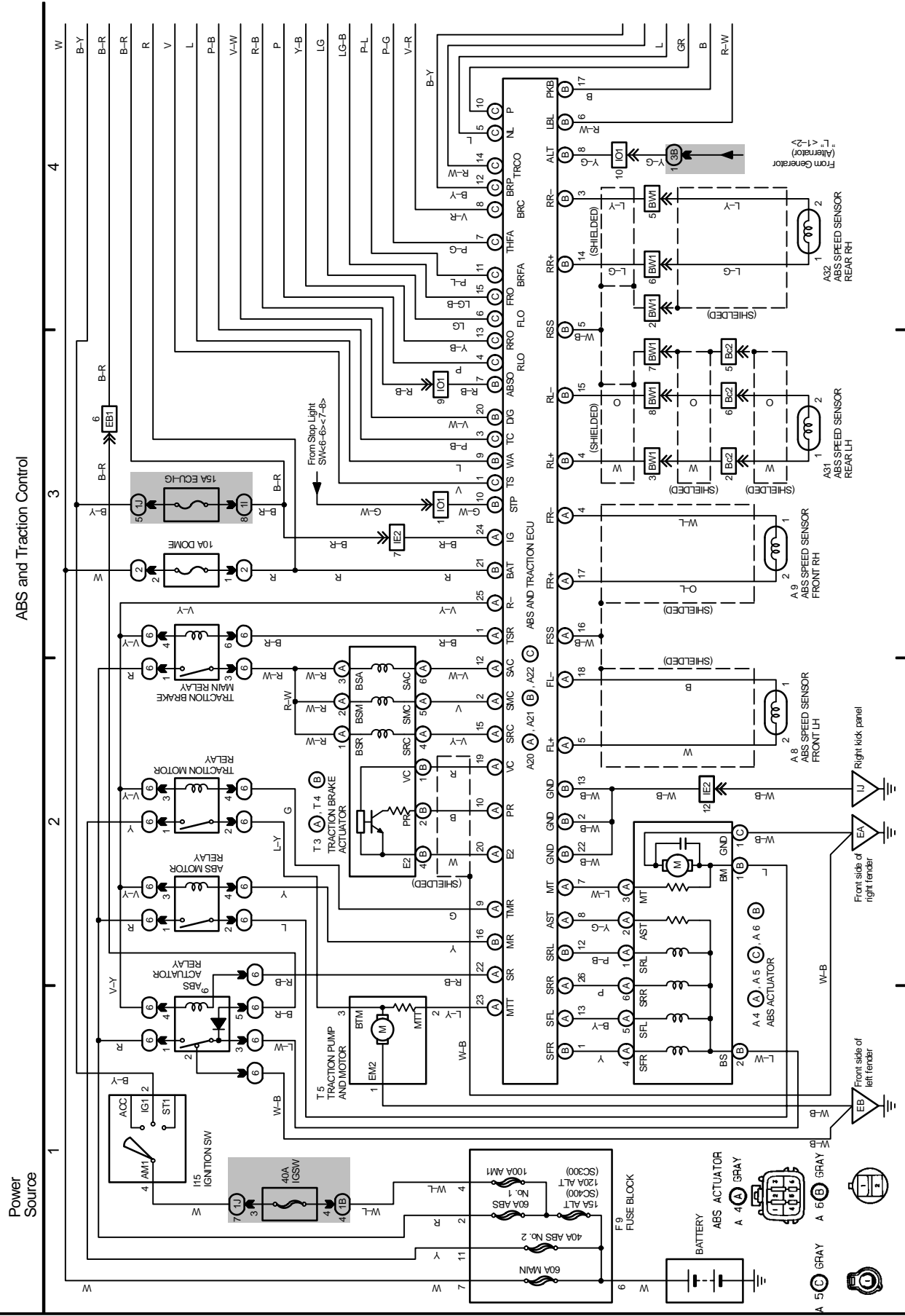
8 LEXUS SC400/SC300



9 LEXUS SC400/SC300



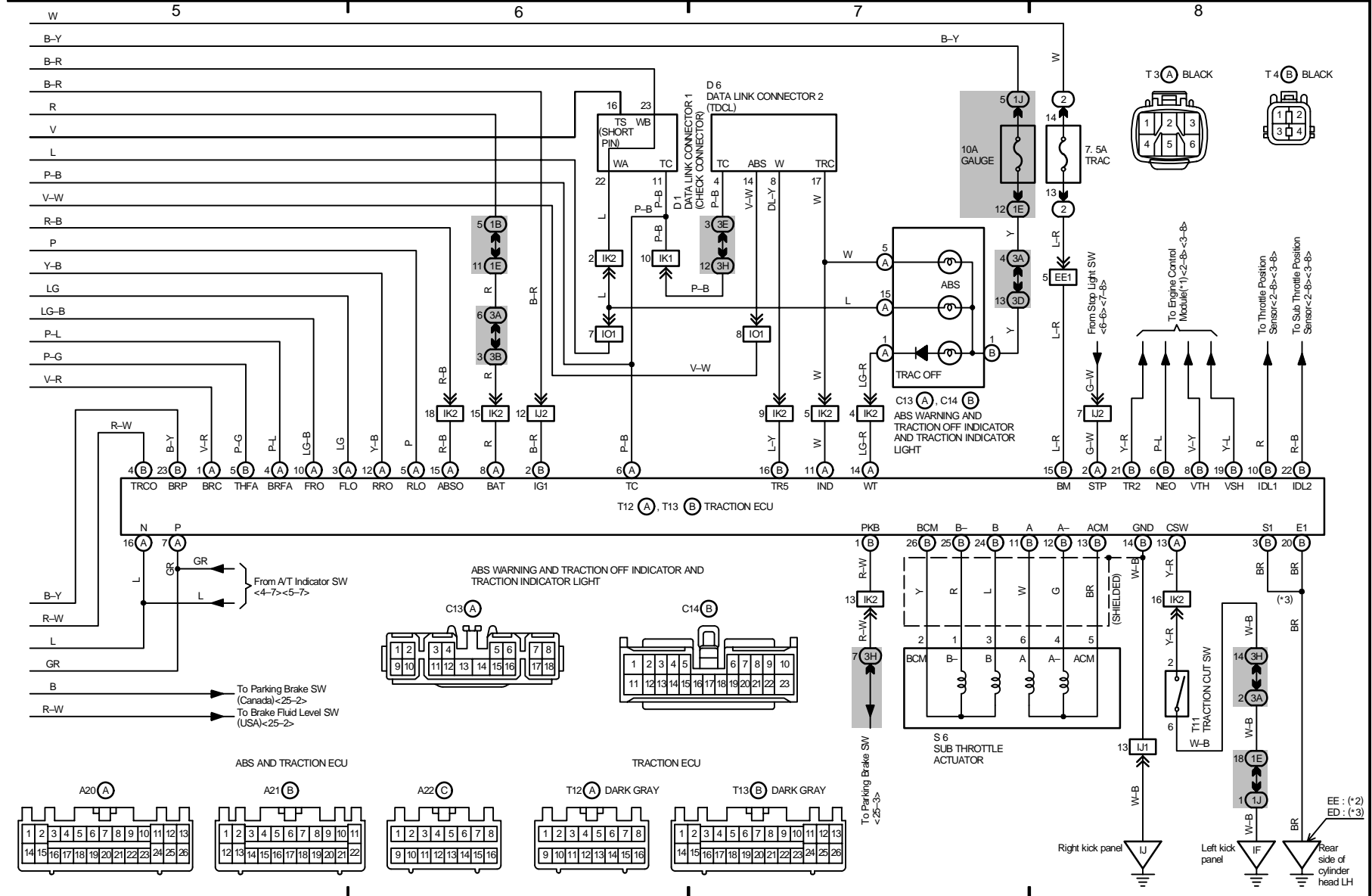
OVERALL ELECTRICAL WIRING DIAGRAM



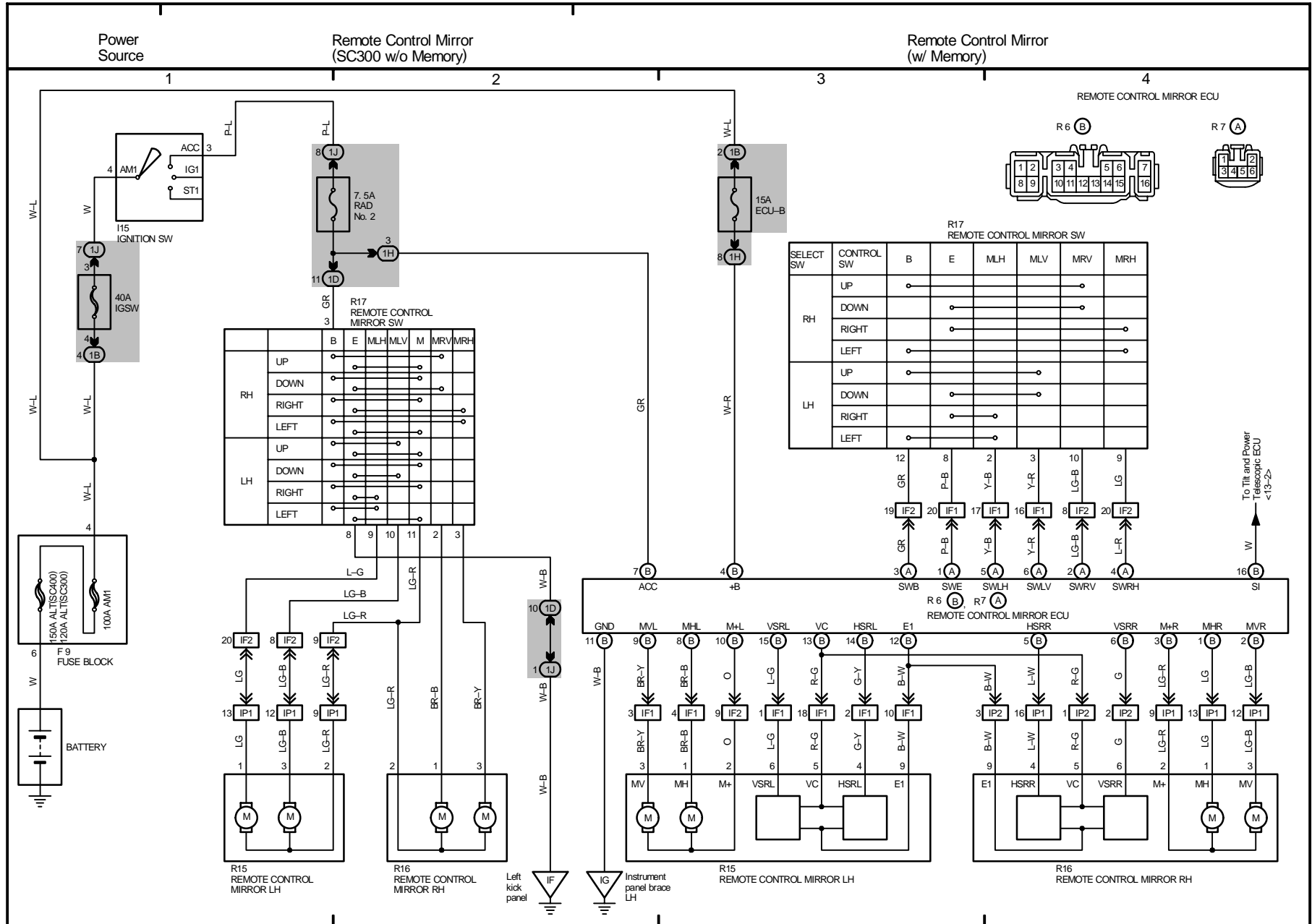
10 LEXUS SC400/SC300(Corr' d)

ABS and Traction Control

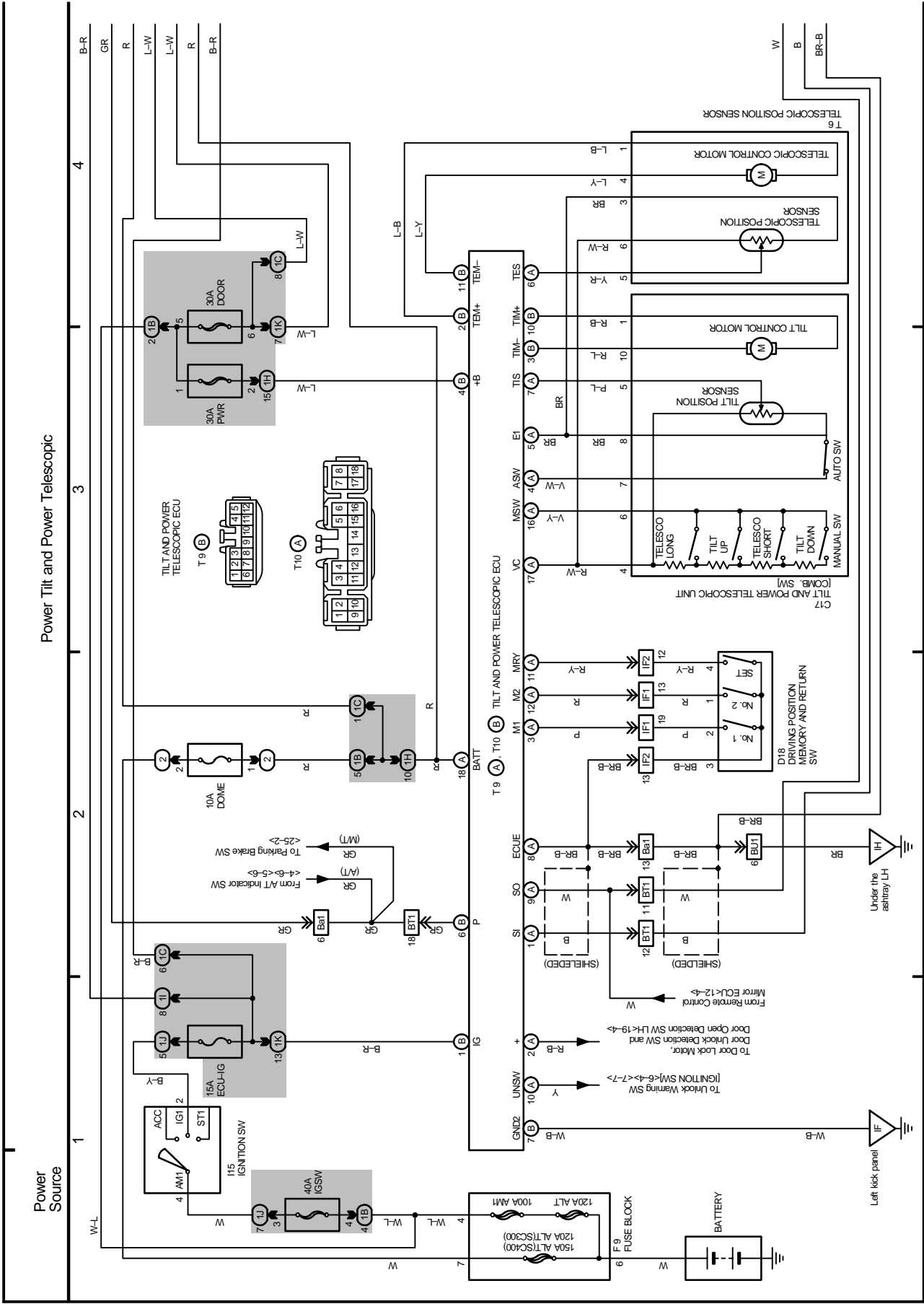
- *1 : Engine and Electronic Controlled Transmission ECU
- *2 : SC400
- *3 : SC300



12 LEXUS SC400/SC300

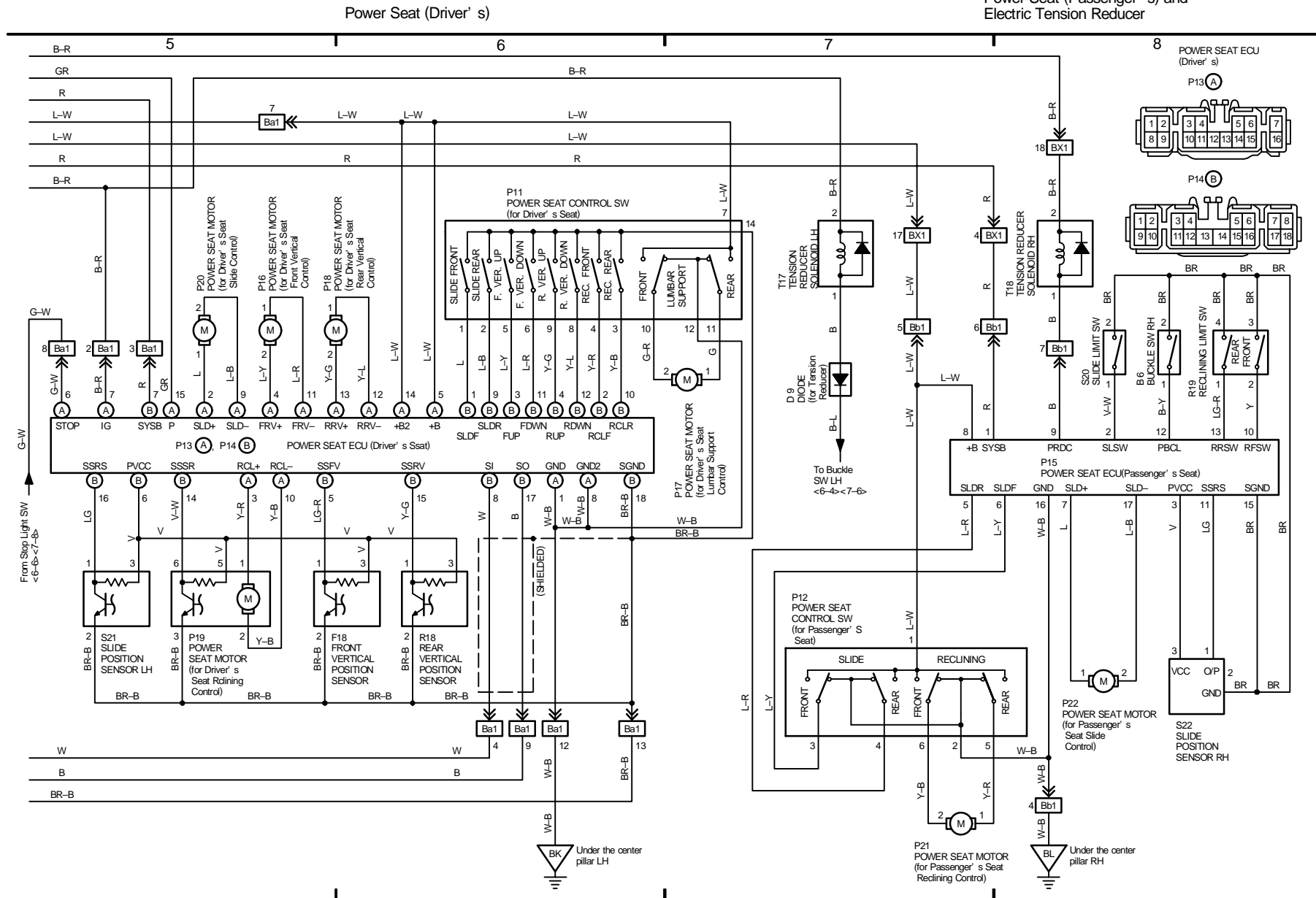


OVERALL ELECTRICAL WIRING DIAGRAM



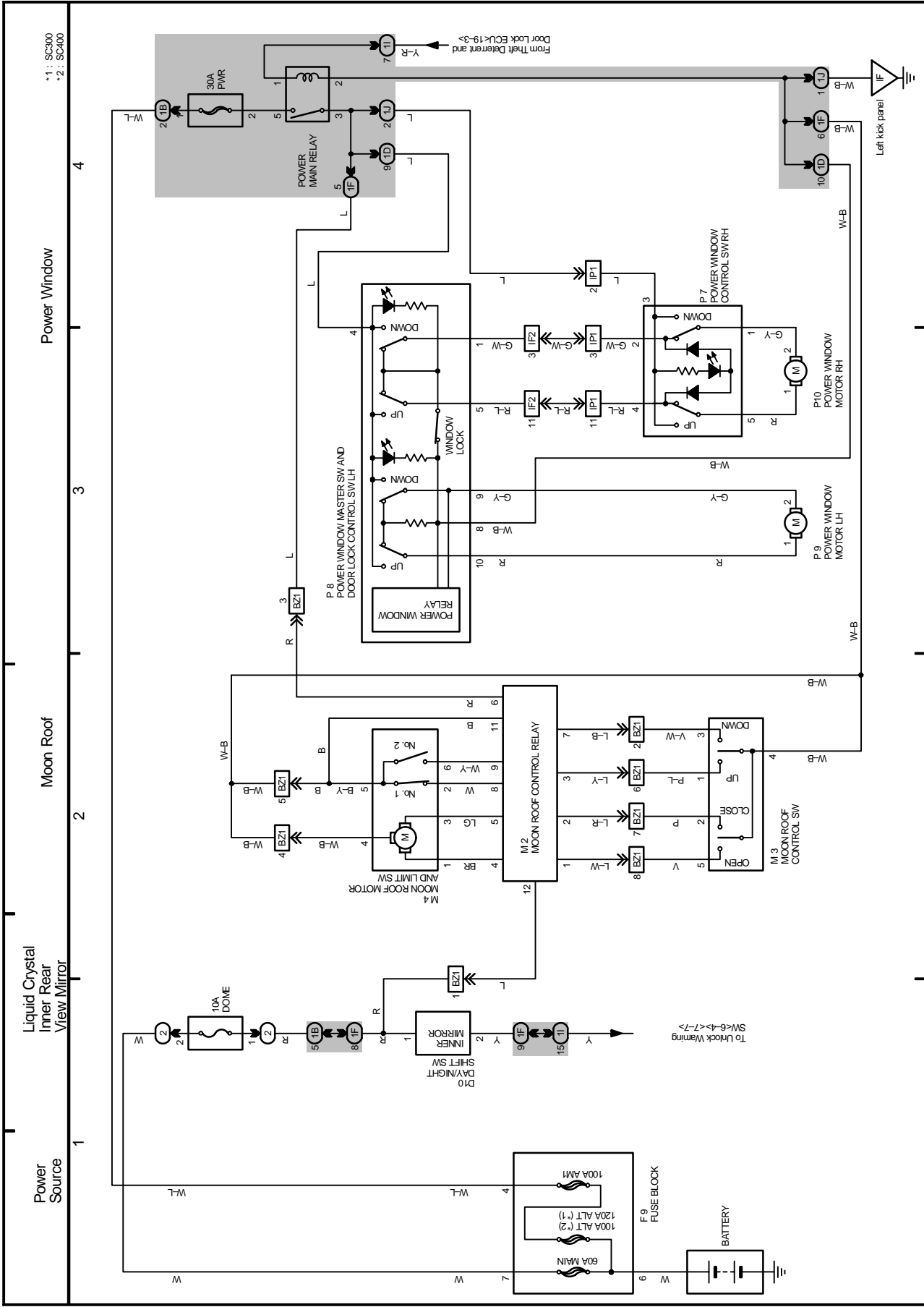
13 LEXUS SC400/SC300(Carr' d)

Power Seat (Passenger' s) and Electric Tension Reducer

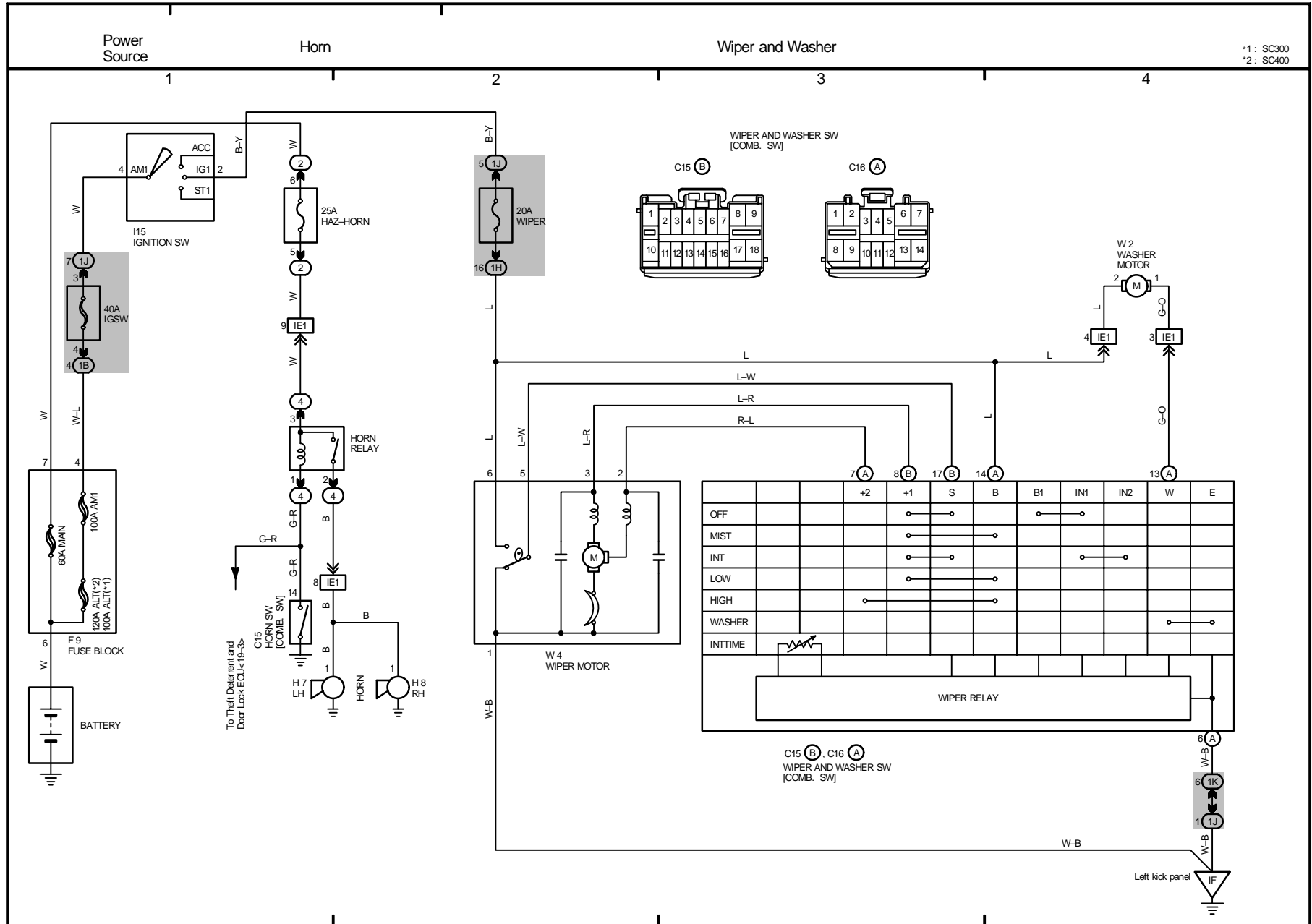


OVERALL ELECTRICAL WIRING DIAGRAM

14 LEXUS SC400/SC300

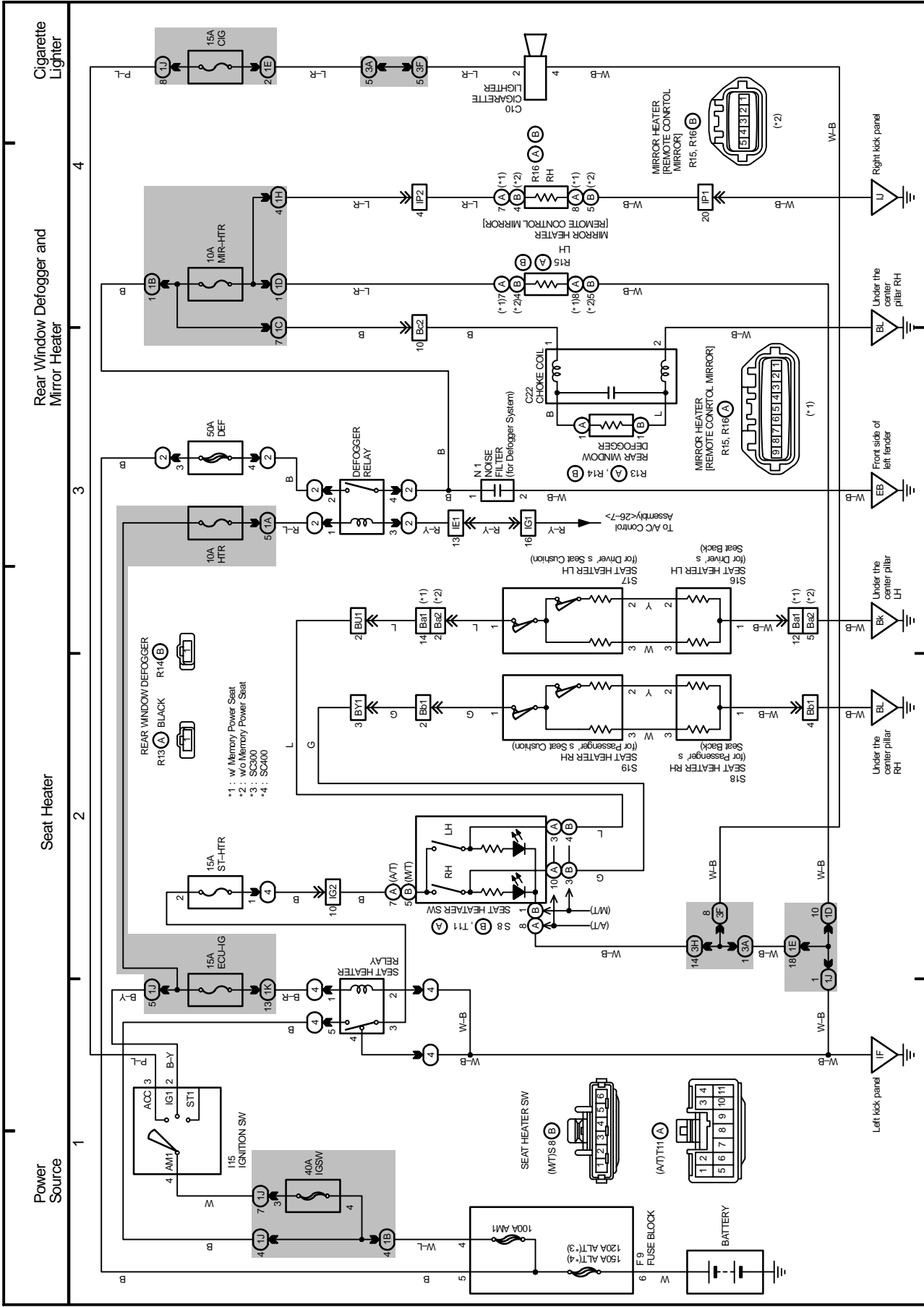


15 LEXUS SC400/SC300

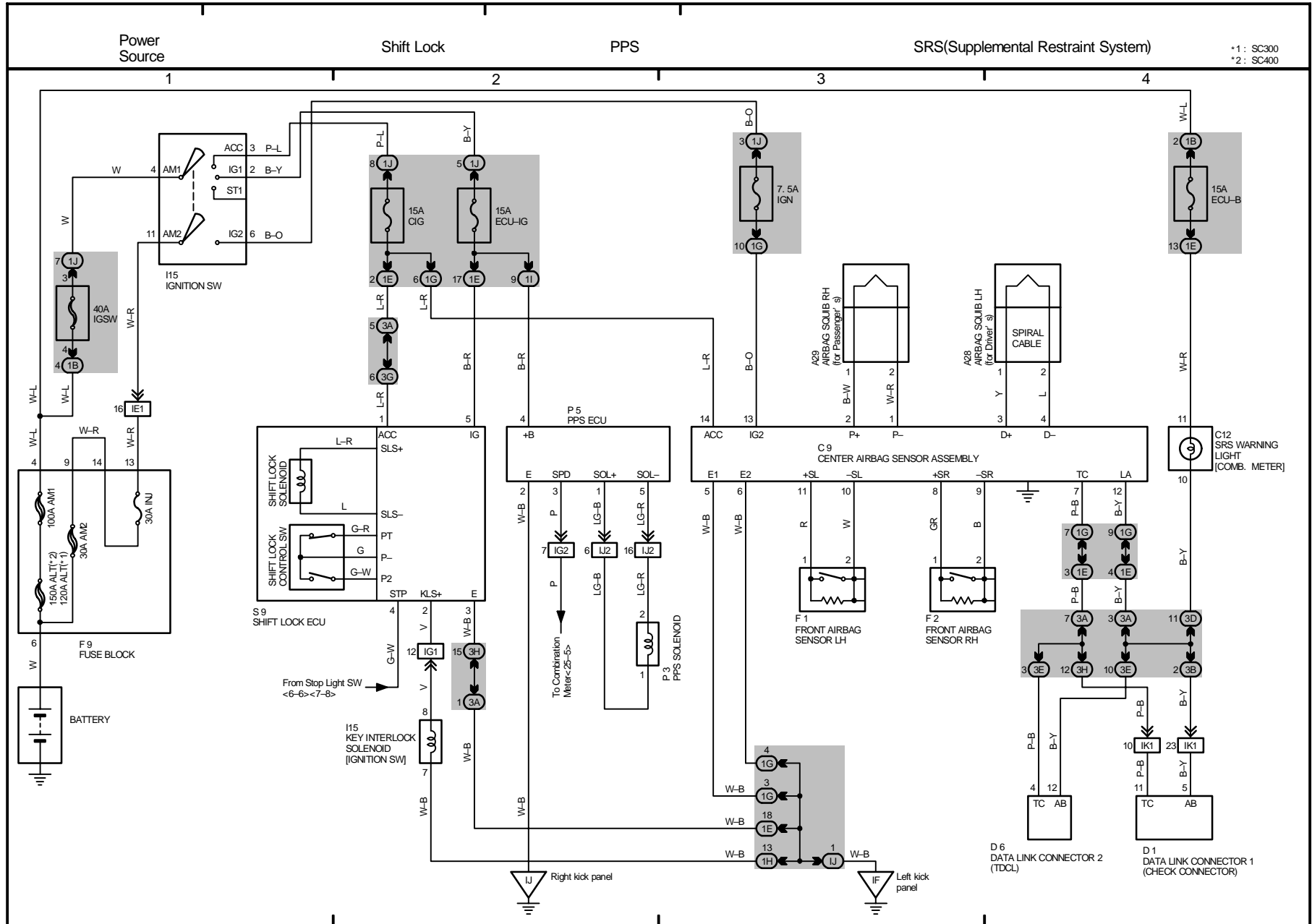


OVERALL ELECTRICAL WIRING DIAGRAM

16 LEXUS SC400/SC300

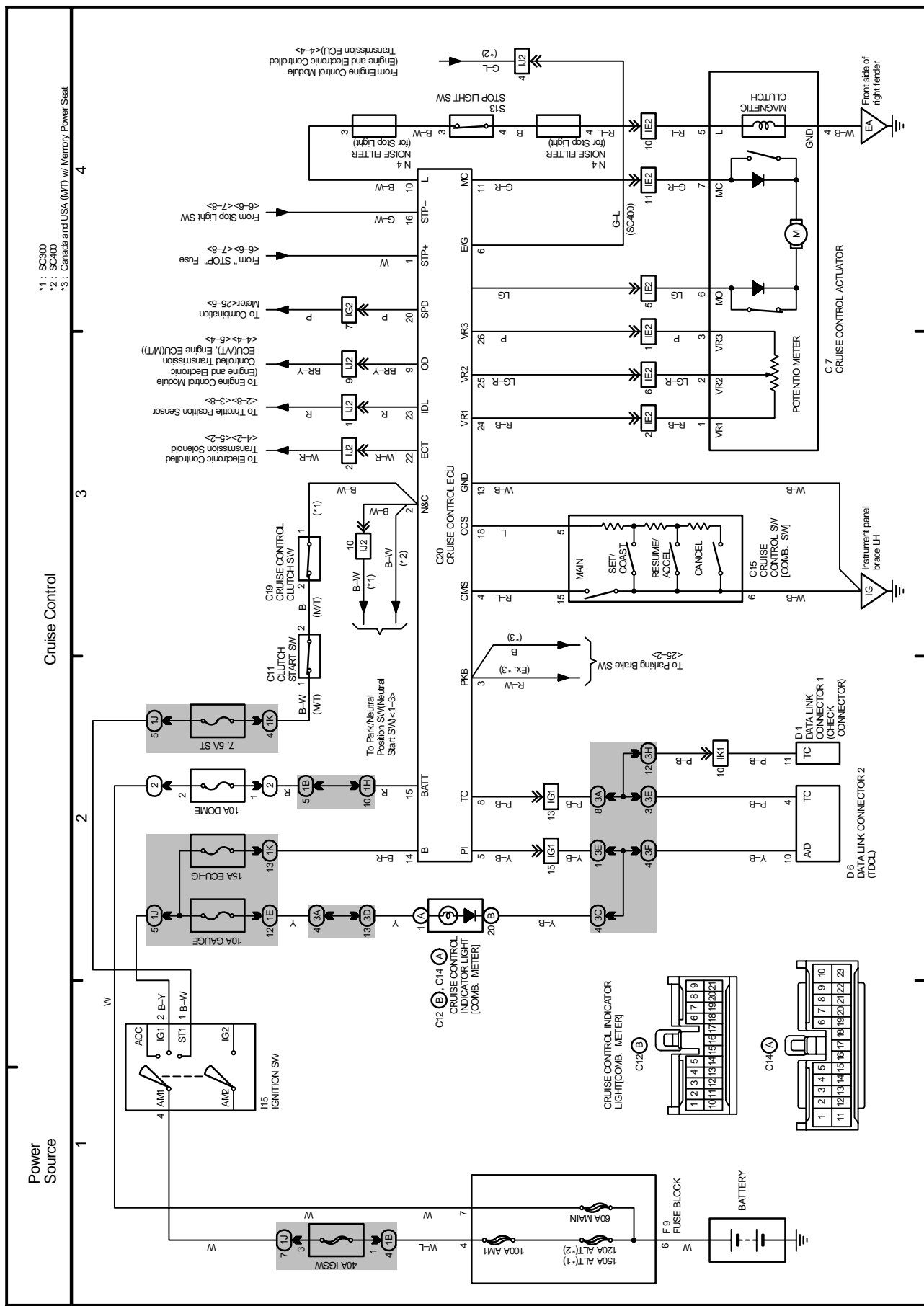


17 LEXUS SC400/SC300



OVERALL ELECTRICAL WIRING DIAGRAM

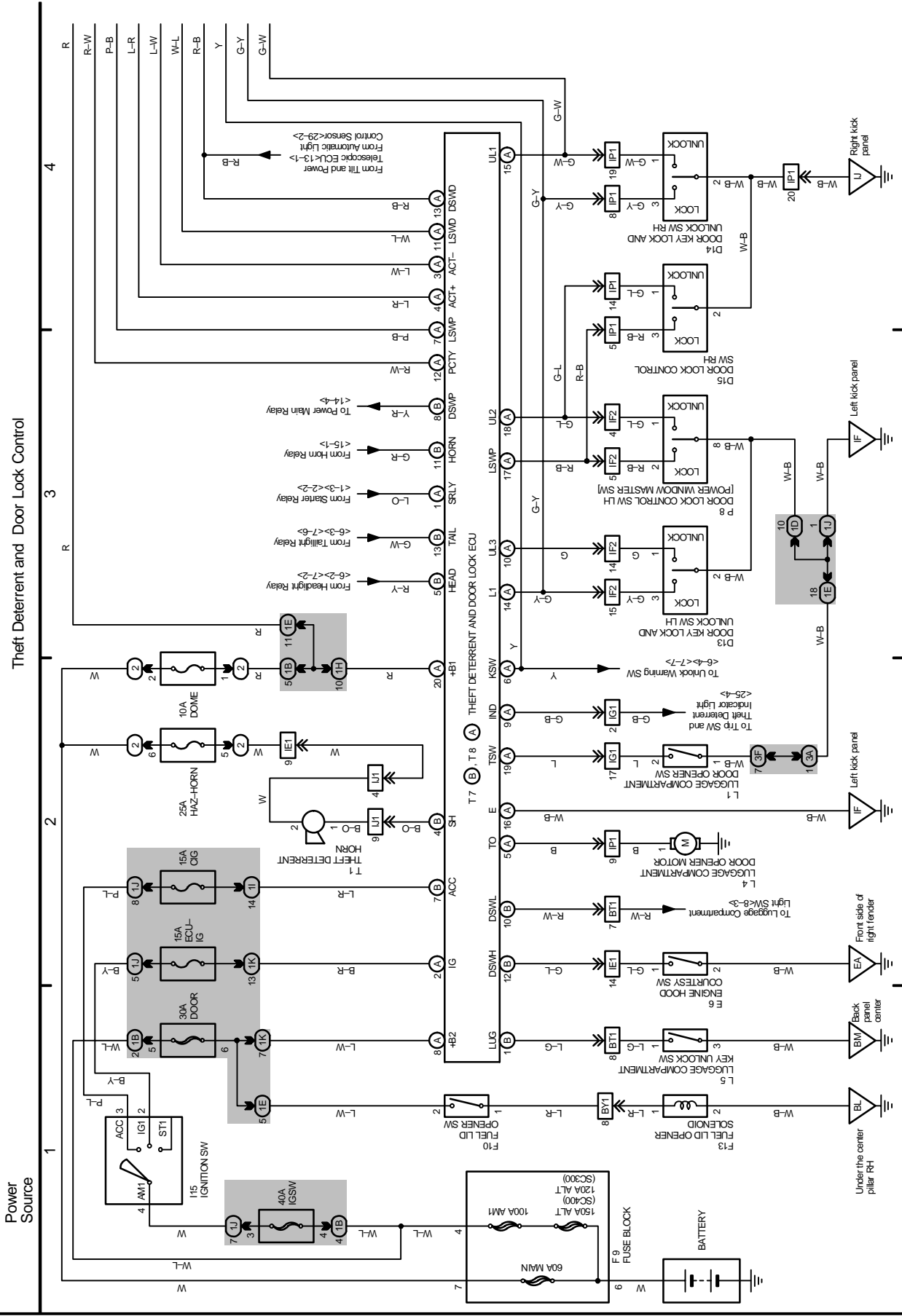
18 LEXUS SC400/SC300



OVERALL ELECTRICAL WIRING DIAGRAM

19 LEXUS SC400/SC300

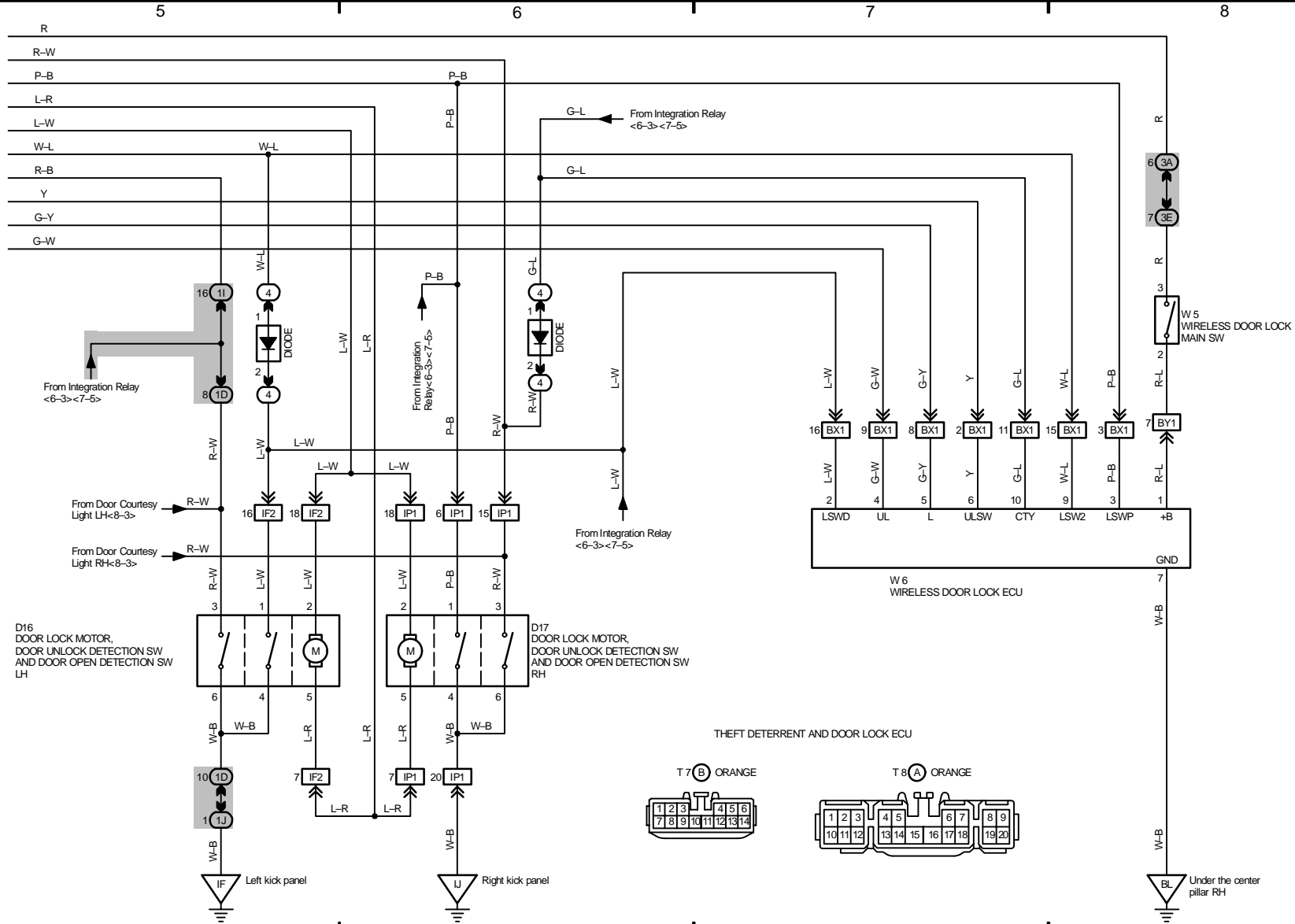
(Cont. next page)



19 LEXUS SC400/SC300(Carr' d)

Theft Deterrent and Door Lock Control

Wireless Door Lock Remote Control

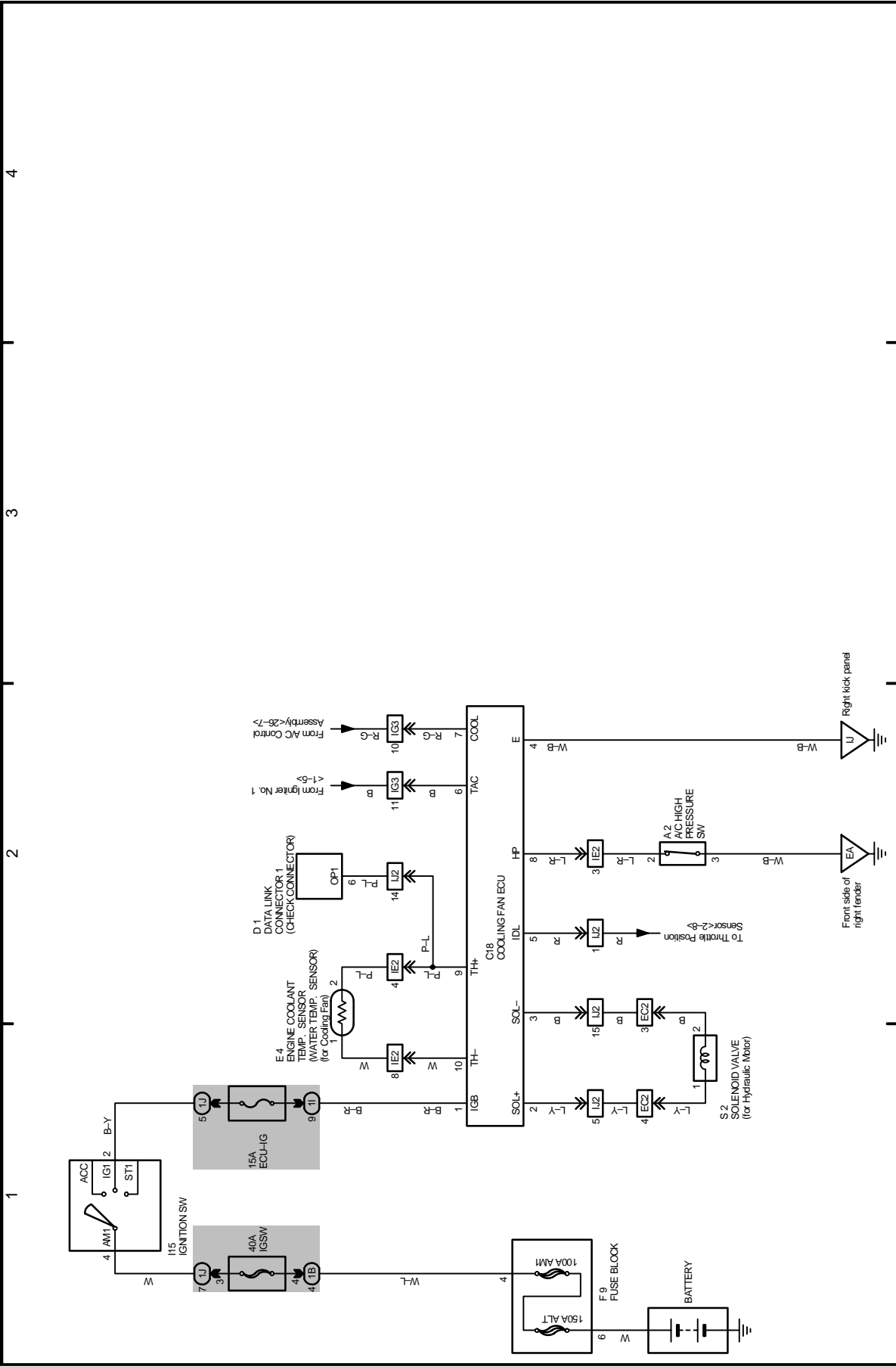


OVERALL ELECTRICAL WIRING DIAGRAM

20 LEXUS SC400/SC300

Electronically Controlled Hydraulic Cooling Fan(SC400)

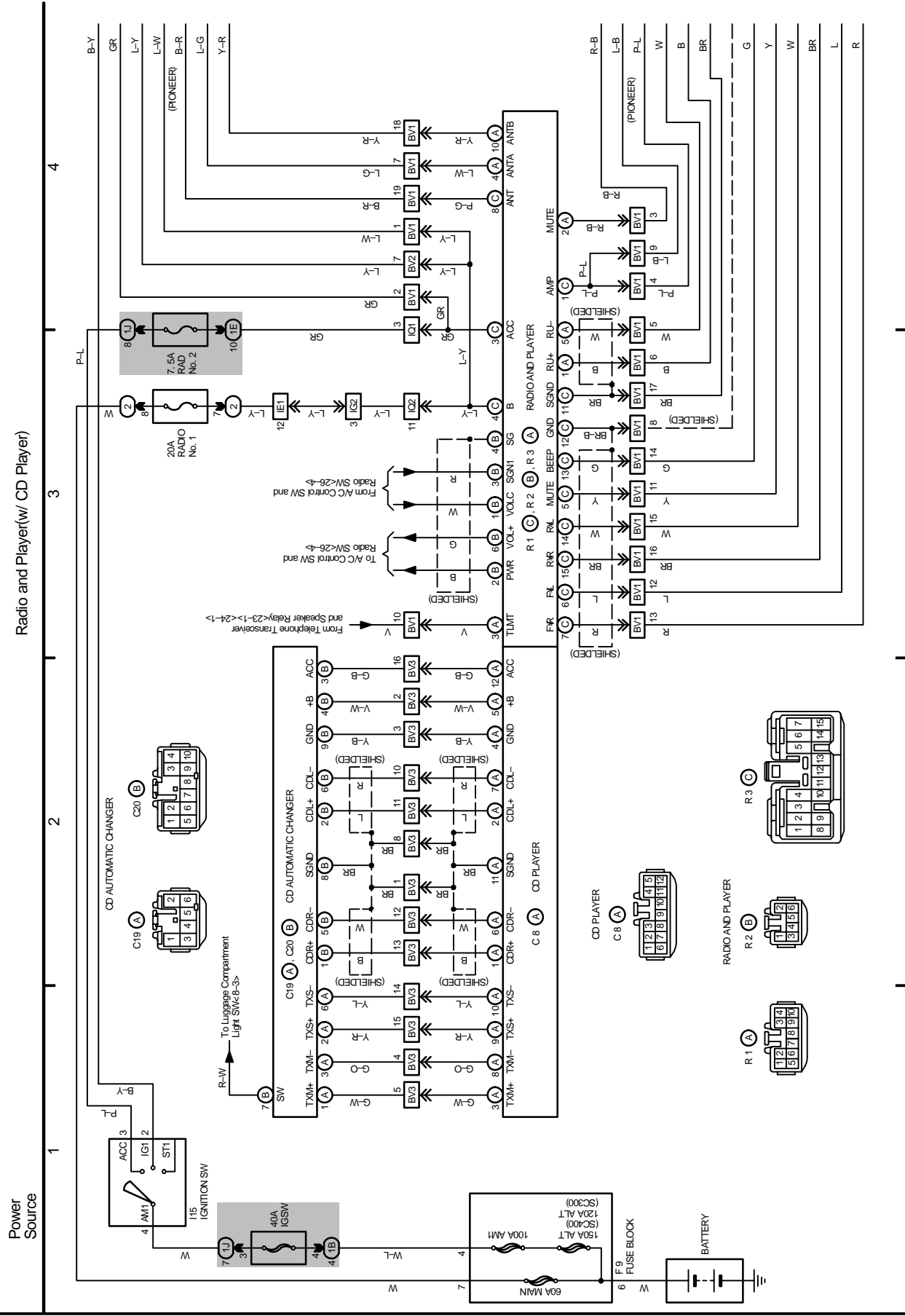
Power Source



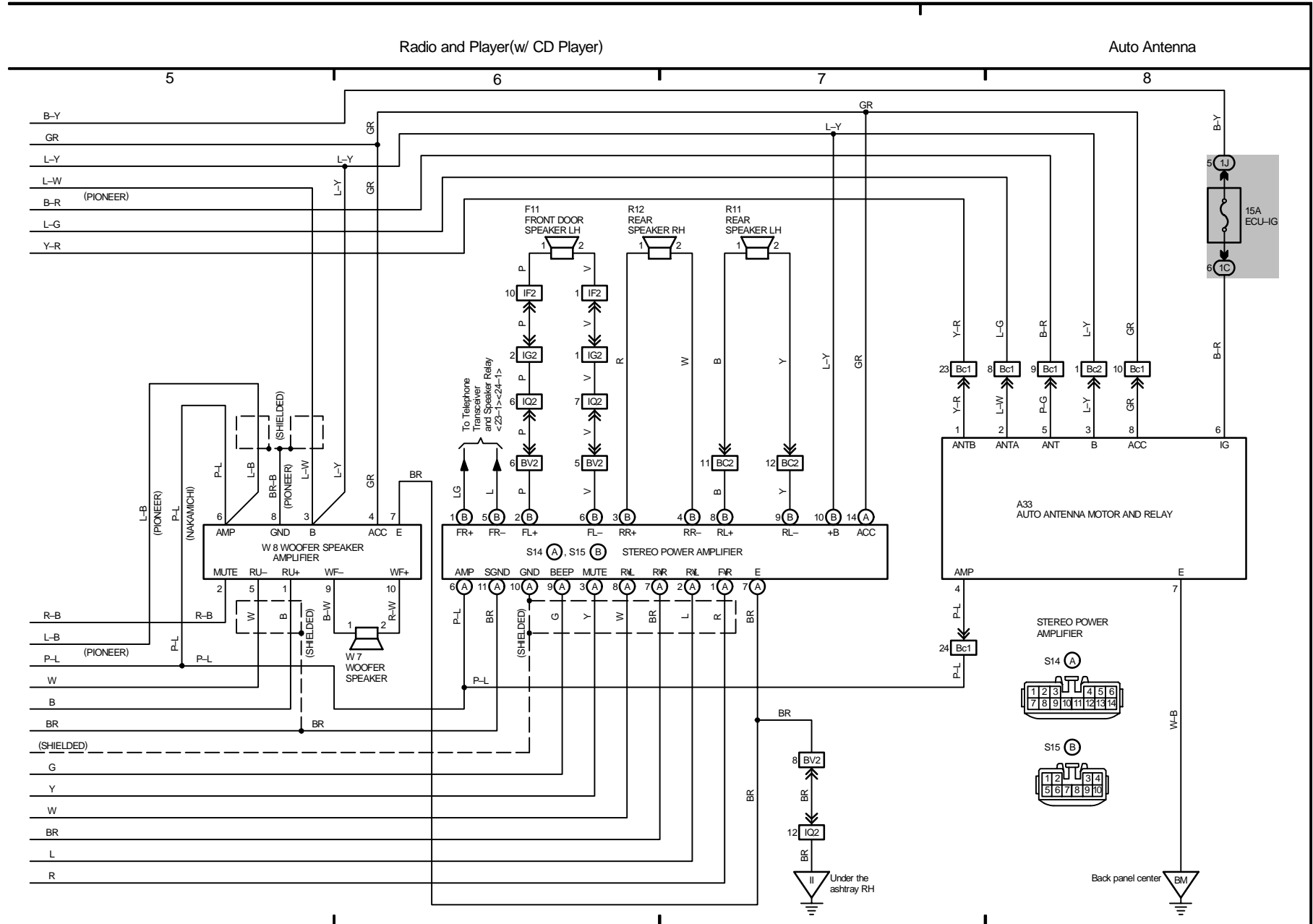
OVERALL ELECTRICAL WIRING DIAGRAM

21 LEXUS SC400/SC300

(Cont. next page)

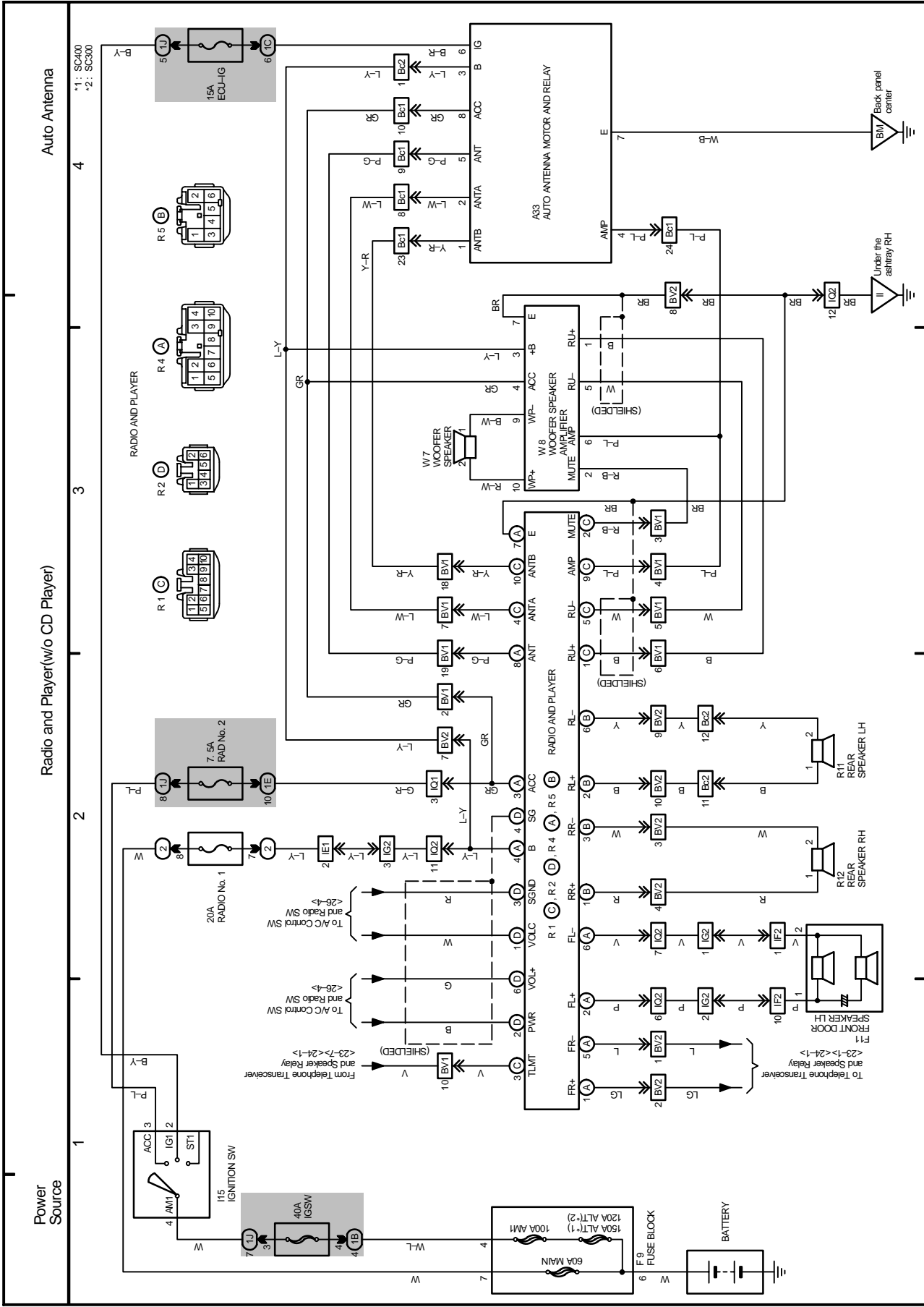


21 LEXUS SC400/SC300(Corr' d)

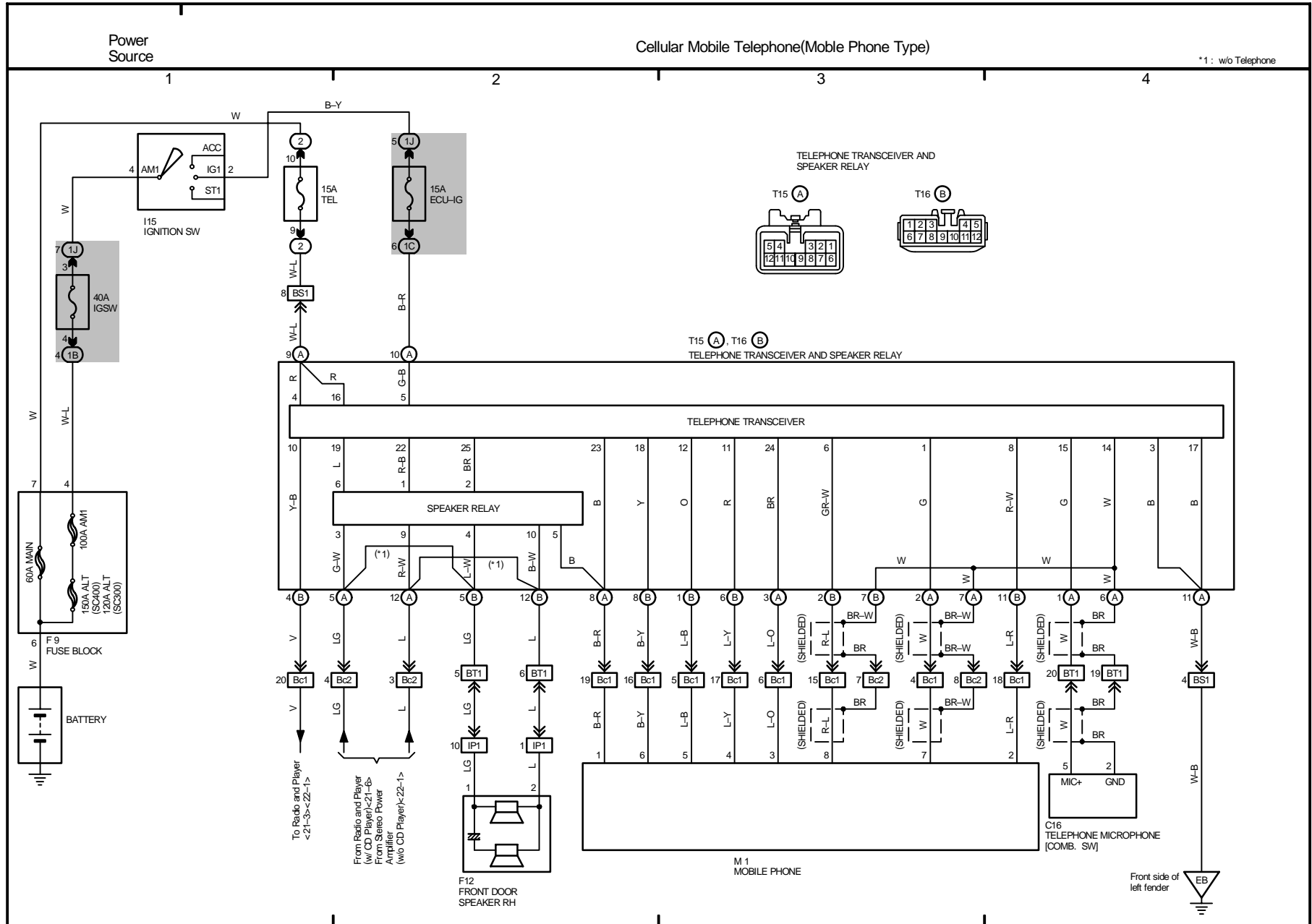


OVERALL ELECTRICAL WIRING DIAGRAM

22 LEXUS SC400/SC300

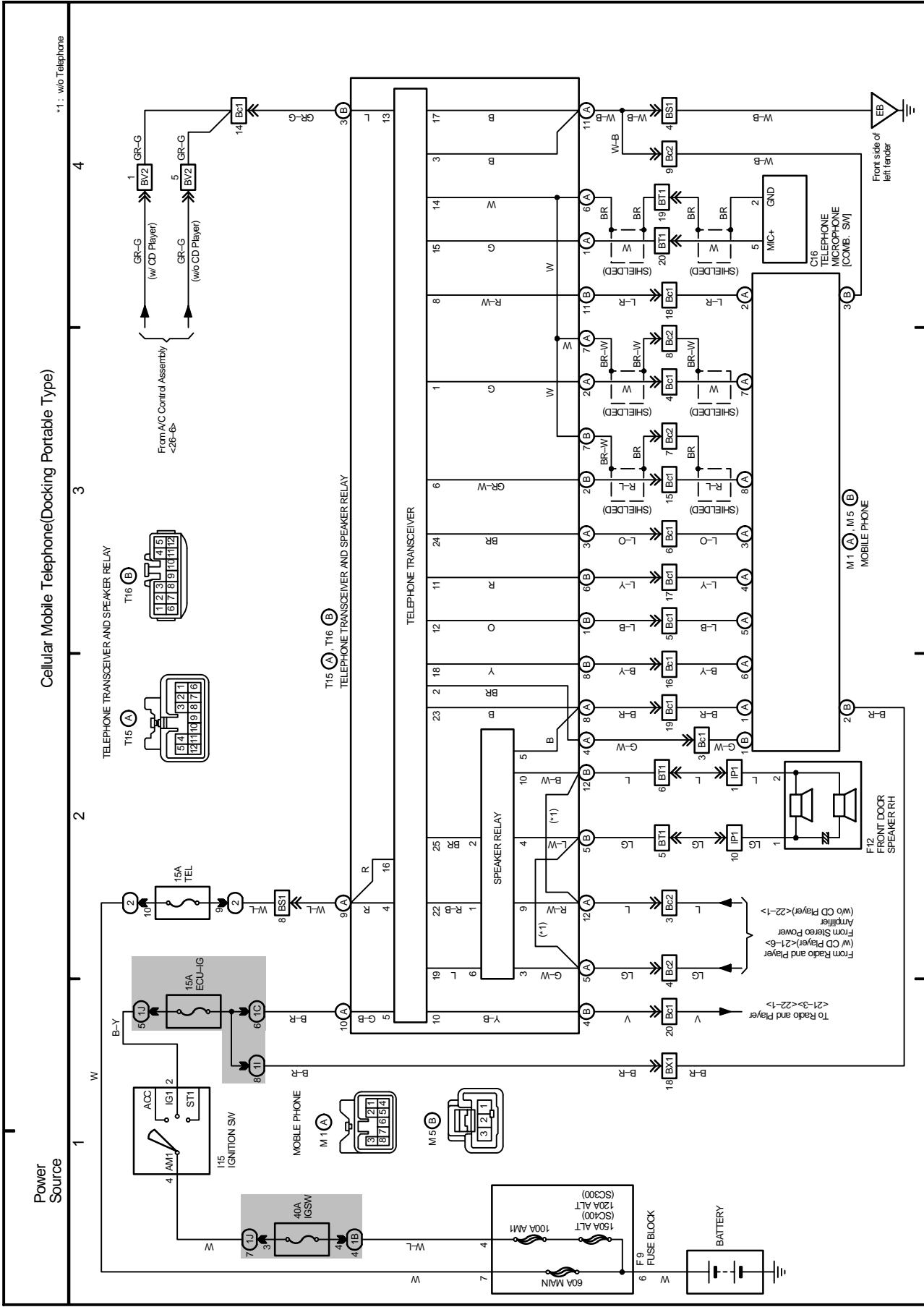


23 LEXUS SC400/SC300



OVERALL ELECTRICAL WIRING DIAGRAM

24 LEXUS SC400/SC300

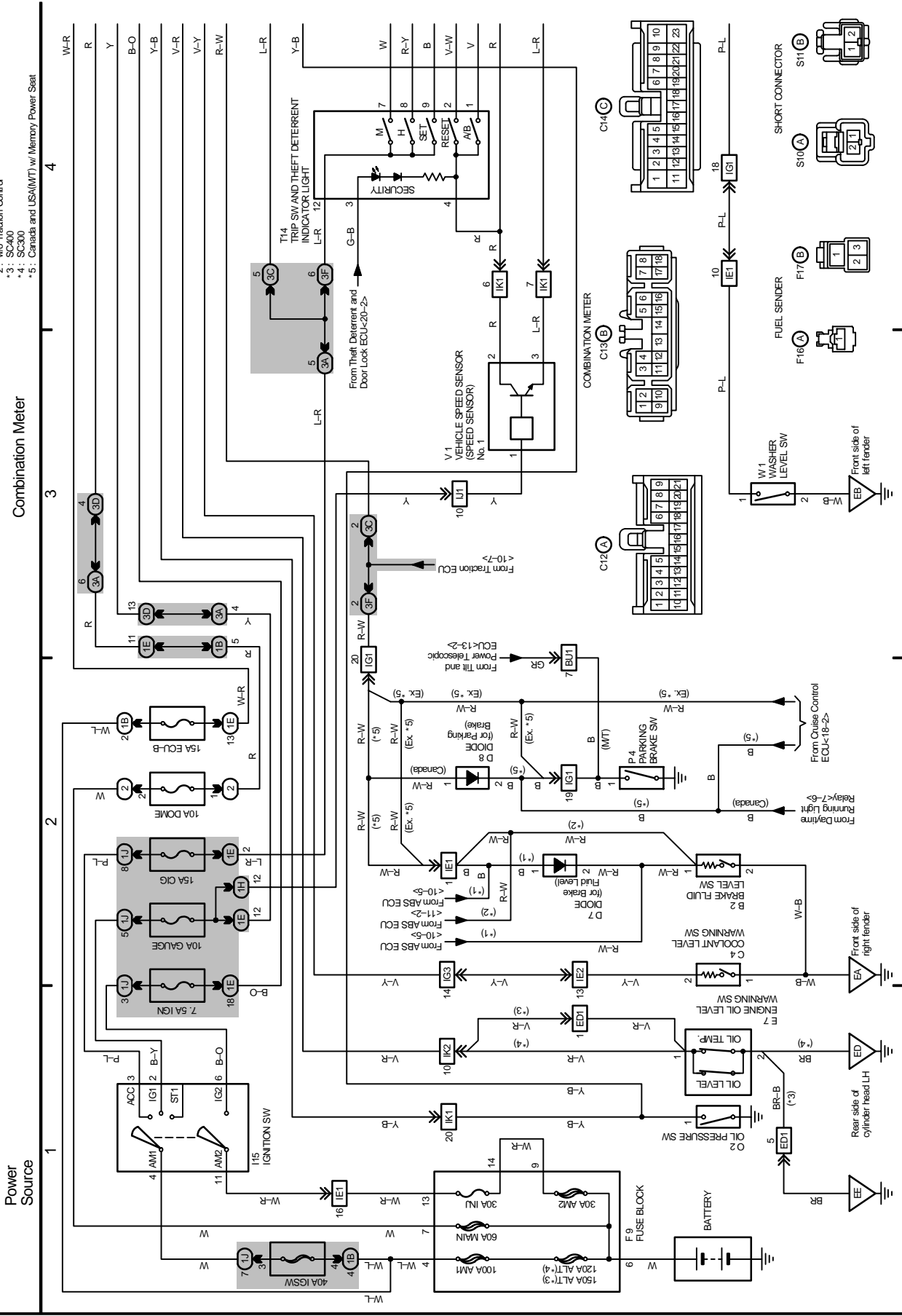


OVERALL ELECTRICAL WIRING DIAGRAM

25 LEXUS SC400/SC300

(Cont. next page)

- *1: w/ Traction Control
- *2: w/o Traction Control
- *3: SC400
- *4: SC300
- *5: Canada and USA(MT) w/ Memory Power Seat

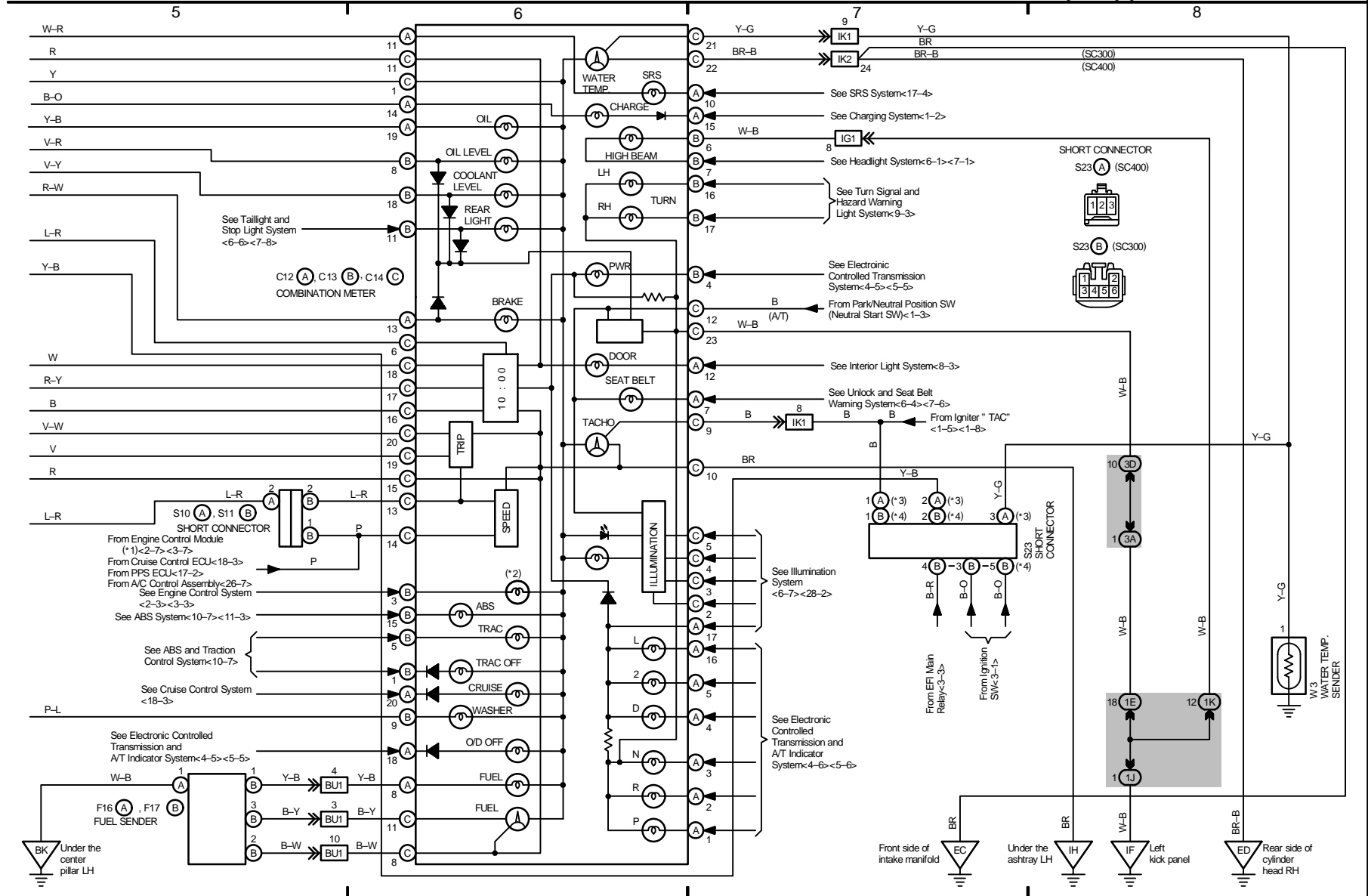


25 LEXUS SC400/SC300(Corr' d)

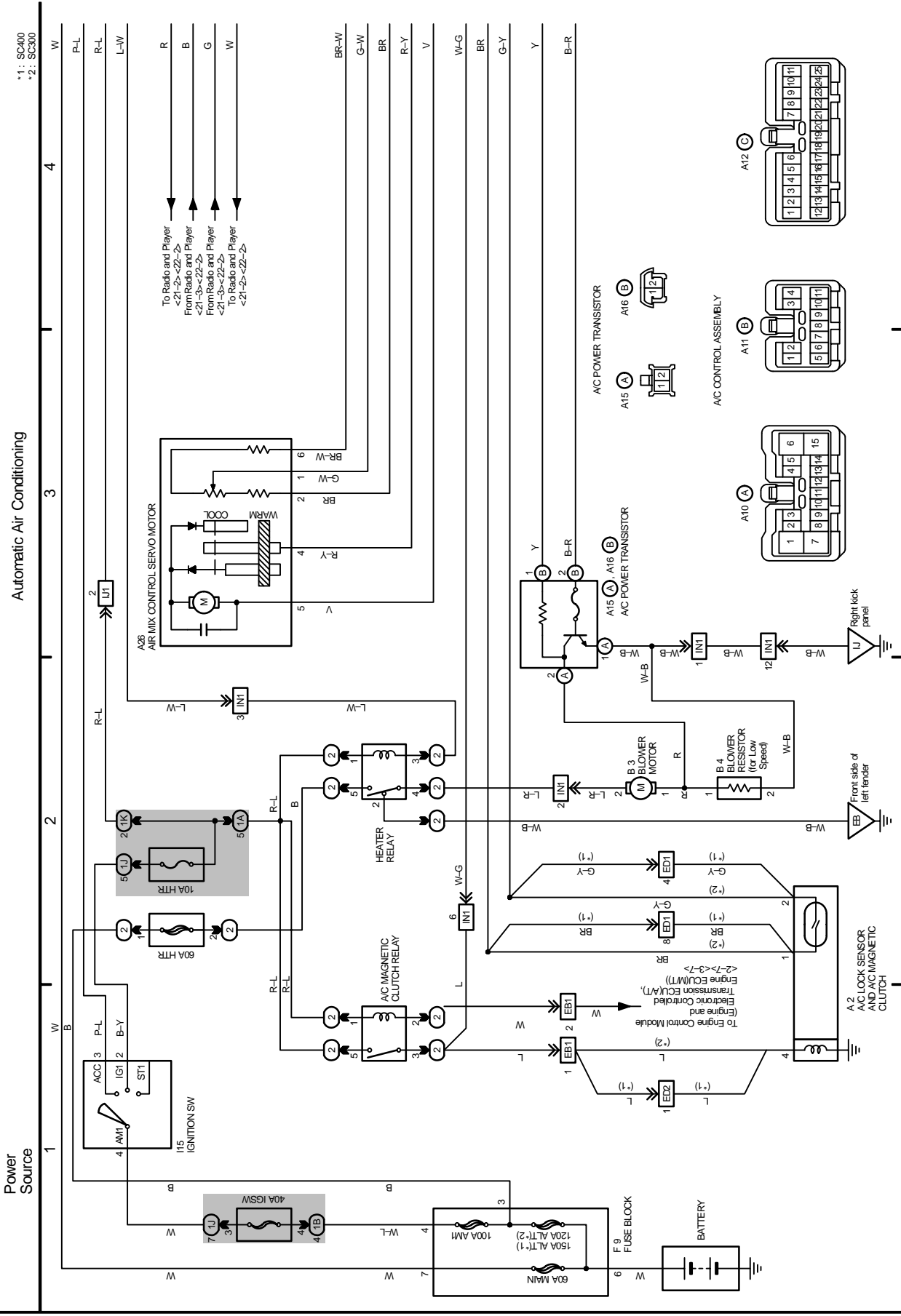
Combination Meter

*1 : Engine and Electronic Controlled
Transmission ECU(A/T), Engine ECU(W/T)
*2 : Malfunction Indicator Lamp
(Check Engine Warning Light)

*3 : SC400
*4 : SC300

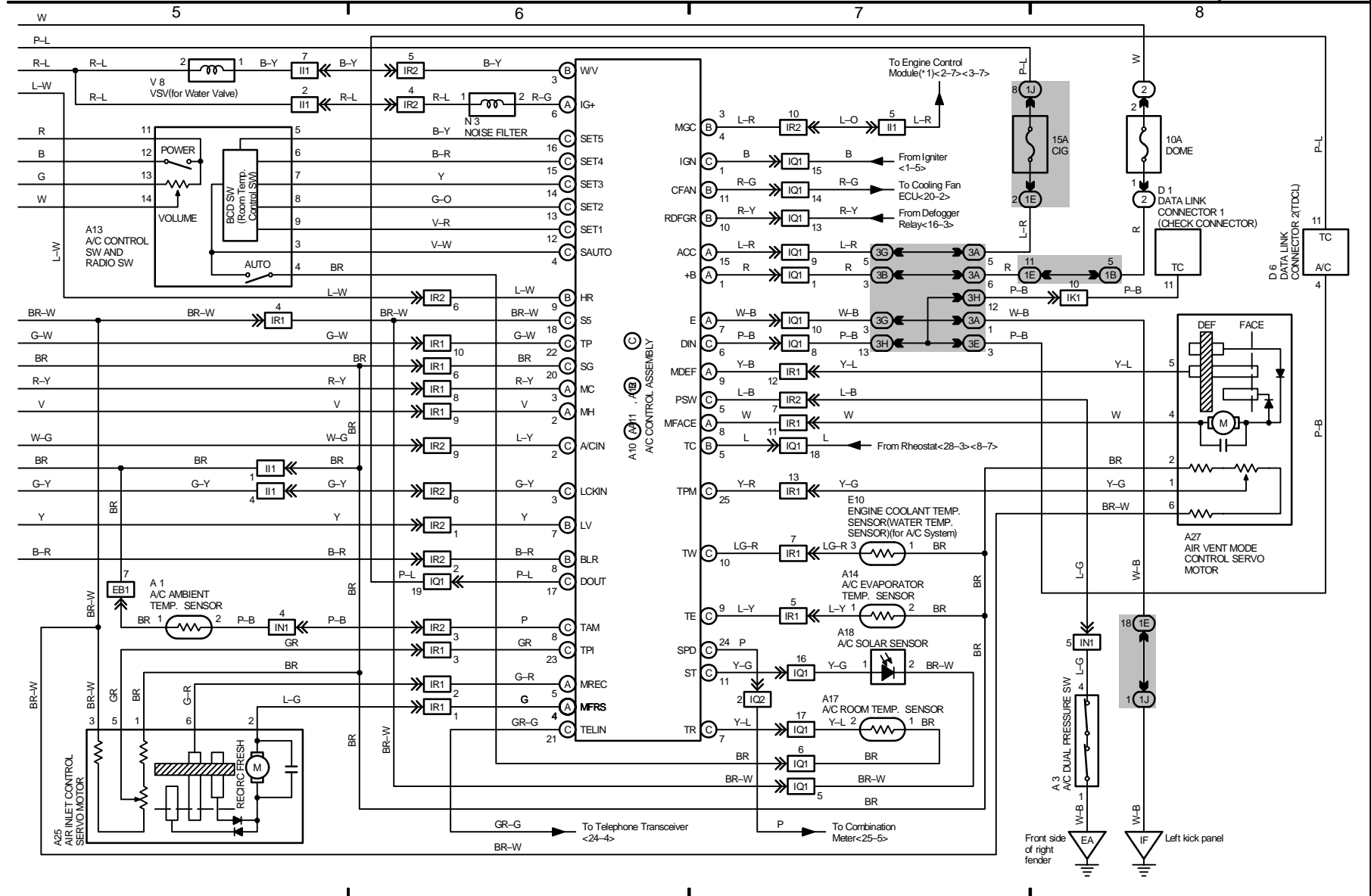


OVERALL ELECTRICAL WIRING DIAGRAM



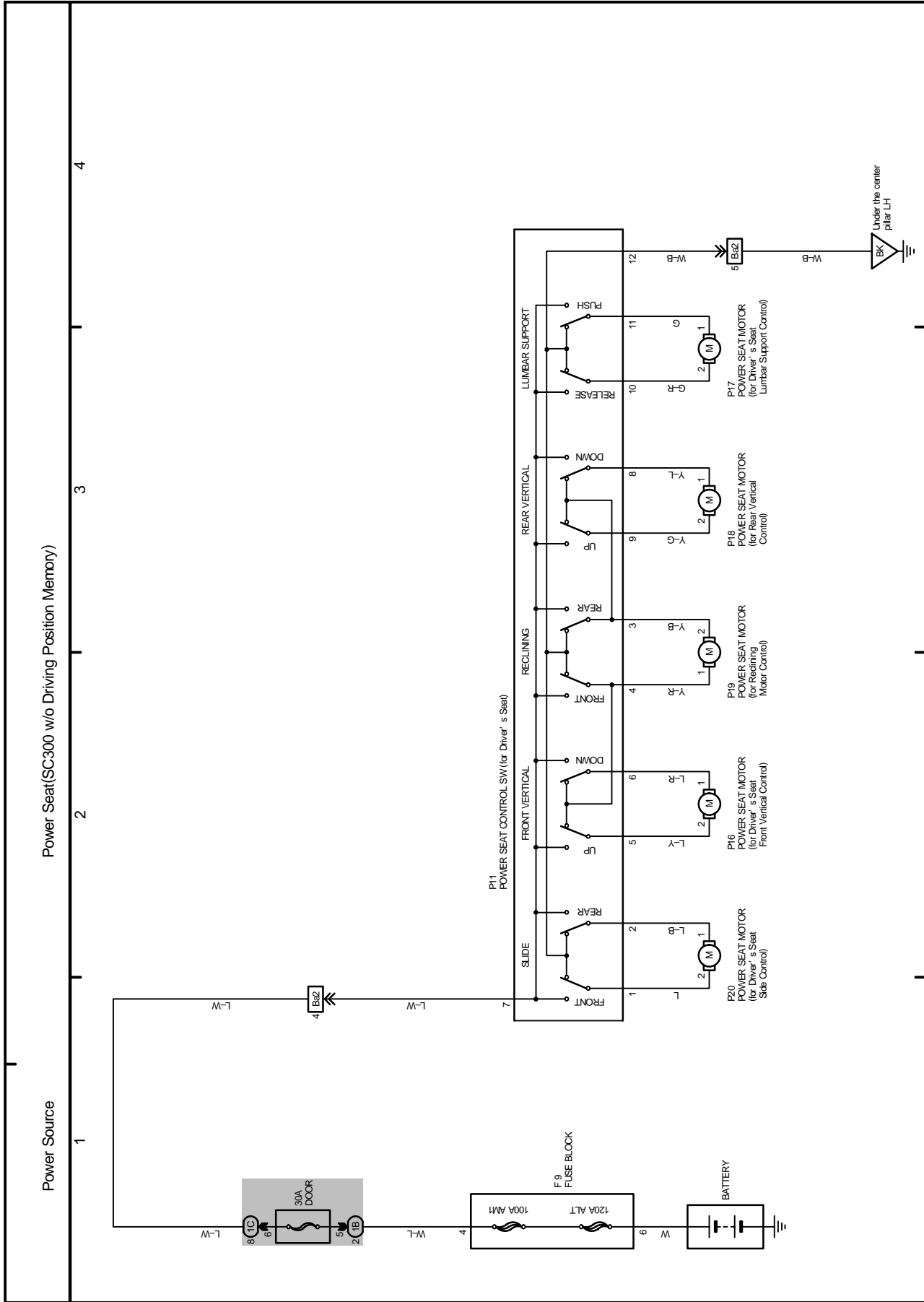
Automatic Air Conditioning

*1 : Engine and Electronic Controlled Transmission ECU(A/T), Engine ECU(M/T)

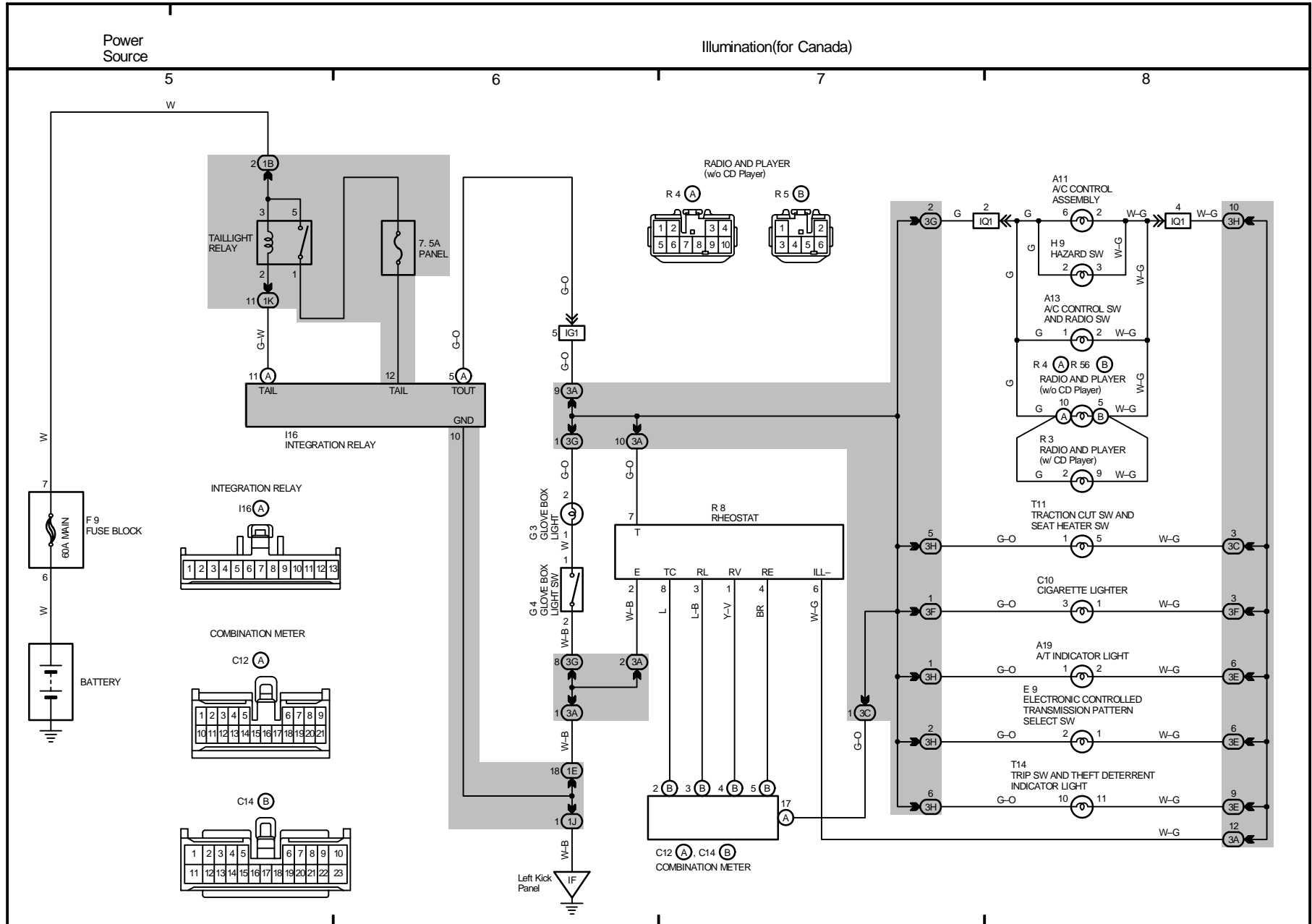


OVERALL ELECTRICAL WIRING DIAGRAM

27 LEXUS SC400/SC300



28 LEXUS SC400/SC300



OVERALL ELECTRICAL WIRING DIAGRAM

29 LEXUS SC400/SC300

